

CGA6L4C0G2J153J160AE

TDK Item Description : CGA6L4C0G2J153JT***S



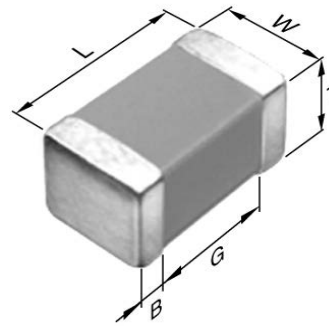
Equivalent C3225C0G2J153J for Automotive

Application & Main Feature

Automotive Grade (Soft Termination)

Series

CGA6(3225) [EIA 1210]



Dimensions

L	3.20mm +0.5,-0.4mm
W	2.50mm ±0.30mm
T	1.60mm +0.3,-0.2mm
B	0.20mm Min.
G	

Temperature Characteristic

C0G (-55 to 125 degC 0+/-30ppm/degC)

Rated Voltage

2J(630Vdc)

Capacitance

15nF

Capacitance Tolerance

J (±5%)

Q Factor

1000 Min.

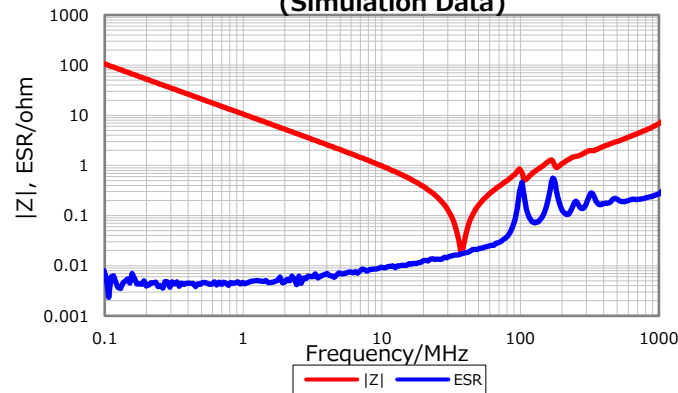
Insulation Resistance

10Gohm Min

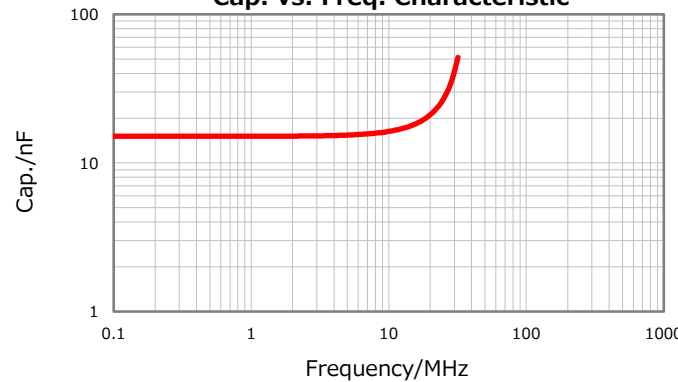
AEC-Q200

Yes

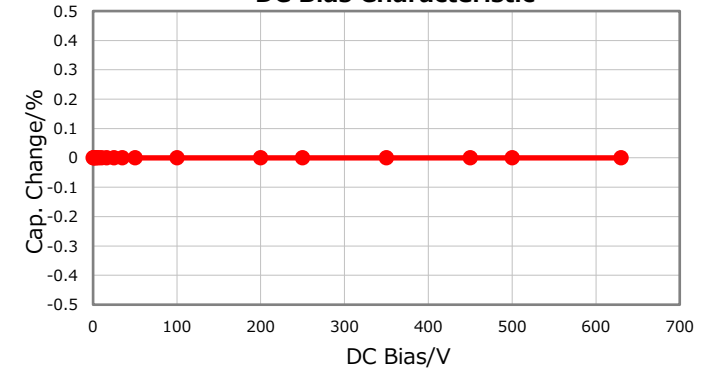
|Z|, ESR vs. Freq. Characteristics (Simulation Data)



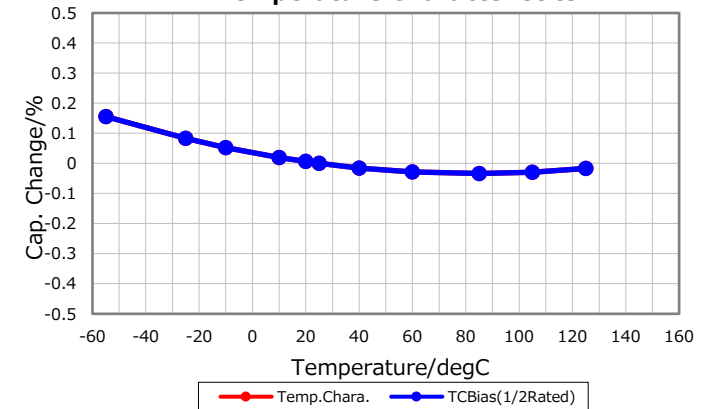
Cap. vs. Freq. Characteristic



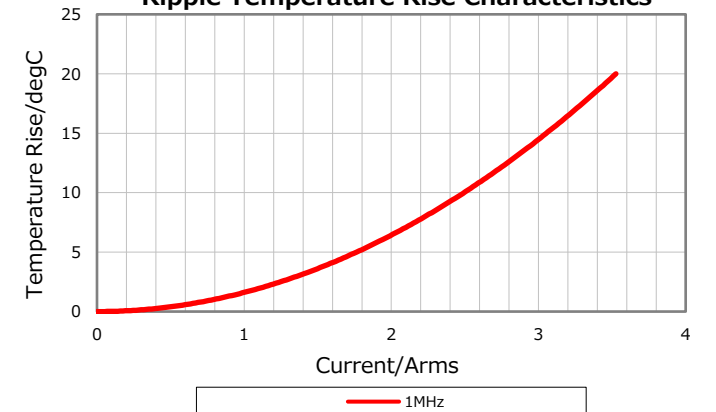
DC Bias Characteristic



Temperature Characteristics



Ripple Temperature Rise Characteristics



Characterization Sheet (Multilayer Ceramic Chip Capacitors)



All specifications are subject to change without notice.