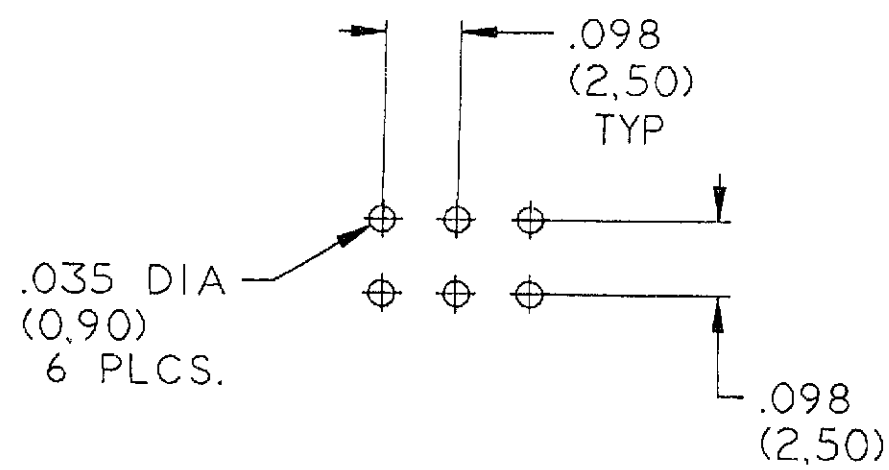
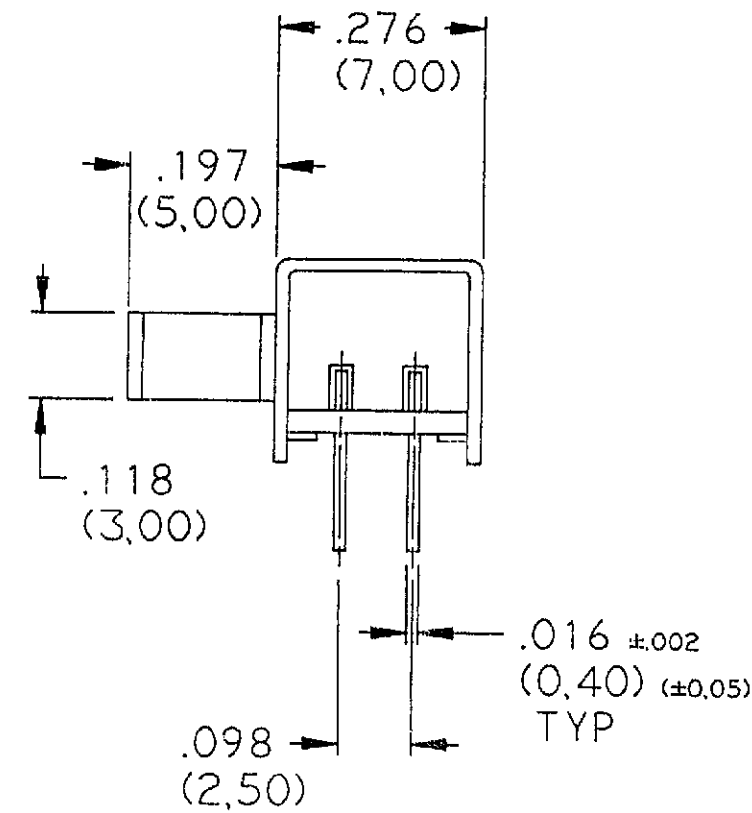
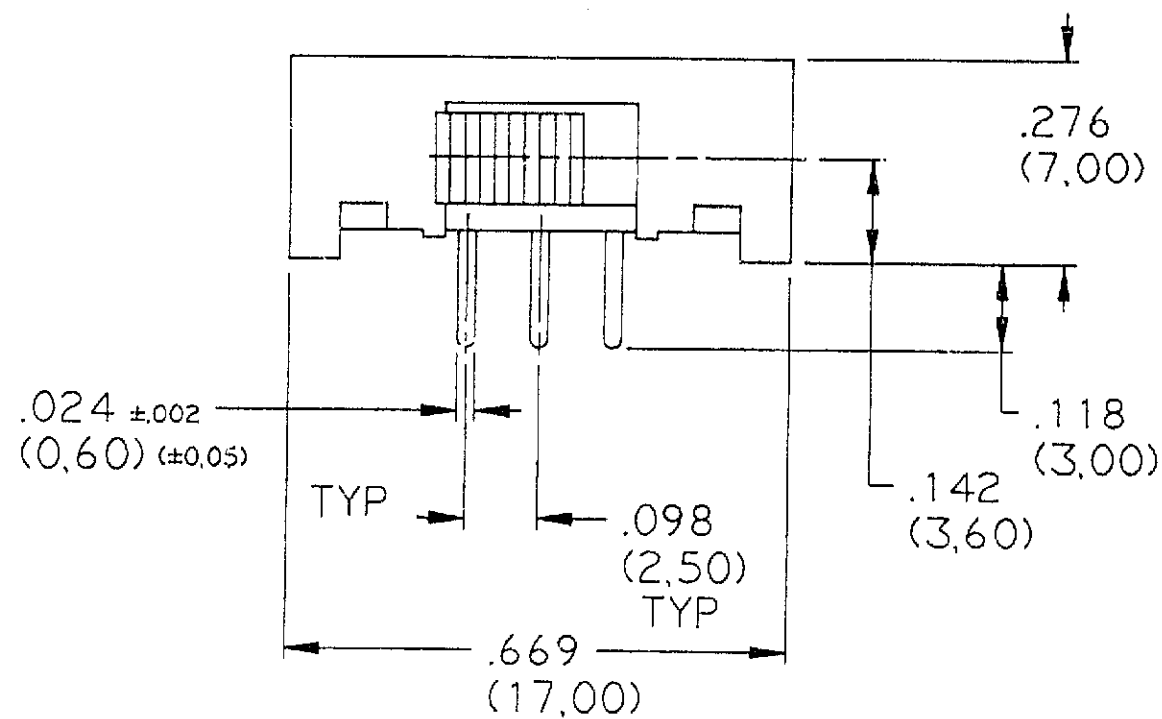
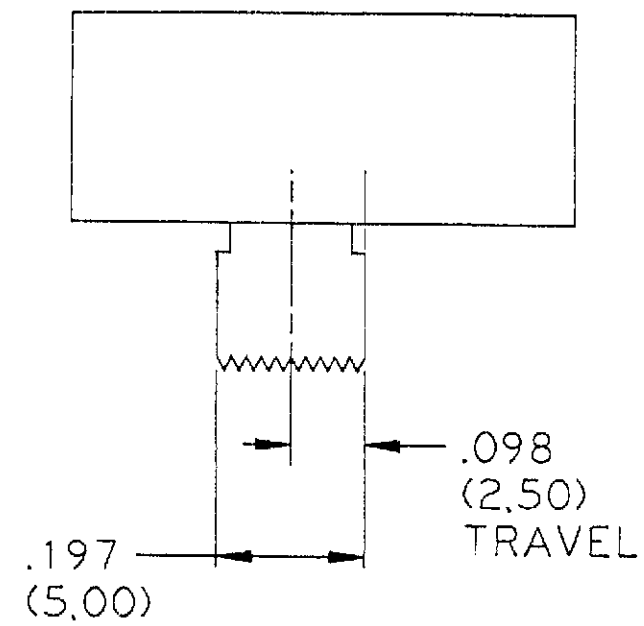
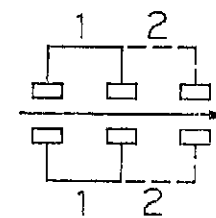


SPECIFICATIONS:

CONTACT RATING: 300 MILLIAMPS AT 125 VAC/30 VDC
 INITIAL CONTACT RESISTANCE: 20 MILLIOHMS MAX
 DIELECTRIC STRENGTH: 500 VAC
 INSULATION RESISTANCE: 100 MEGOHMS AT 500 VDC
 CONTACT TIMING: SHORTING
 LIFE EXPECTANCY: 10,000 CYCLES



P.C.B. HOLE LAYOUT
 (HOLE LAYOUT TOL ±.002 (0,05)
 ON ALL DIMENSIONS)



CIRCUIT DIAGRAM

TOLERANCES UNLESS OTHERWISE NOTED.		INCH (H1)	DATE	DRAWING STATUS	REV.	A	ESR3167	CHK.	APP.	
DECIMAL .XX-	METRIC .XXX±.010	±(0,25)	8/14/89	<input type="checkbox"/> PRELIMINARY						
FRACTIONAL X/X-	ANGULAR 1/4°		8/24/89	<input type="checkbox"/> QUOTES						
THIRD ANGLE PROJECTION REFER TO ANSI Y14.5M-1982 FOR DWG. INTERPRETATION				<input type="checkbox"/> PROTOTYPE						
DO NOT SCALE DRAWING				<input type="checkbox"/> PRE-PRODUCTION						
				<input type="checkbox"/> RELEASE						
				DATA BASE: ESR3167						
				MATL. N/A						
				ALCO CONFIDENTIAL						
				This document contains information which is the exclusive property of Alco Electronics Products Inc. Distribution, reproduction or use by others is not permitted without the express written consent of Alco Electronics Products Inc.						
				ALCO CONFIDENTIAL						
				1551 Osgood St. No. Andover Ma. U.S.A. 01845 TEL. (617)685-4371 FAX (617)686-9545						
				TITLE						
				DPDT SLIDE SWITCH OUTLINE STSA220RA						
SIZE	PROD. LINE	DWG. NO.	REV.							
C	STSA	80909	A							
SCALE 4/1		SHEET OF	COMPUTER GENERATED DRAWING							