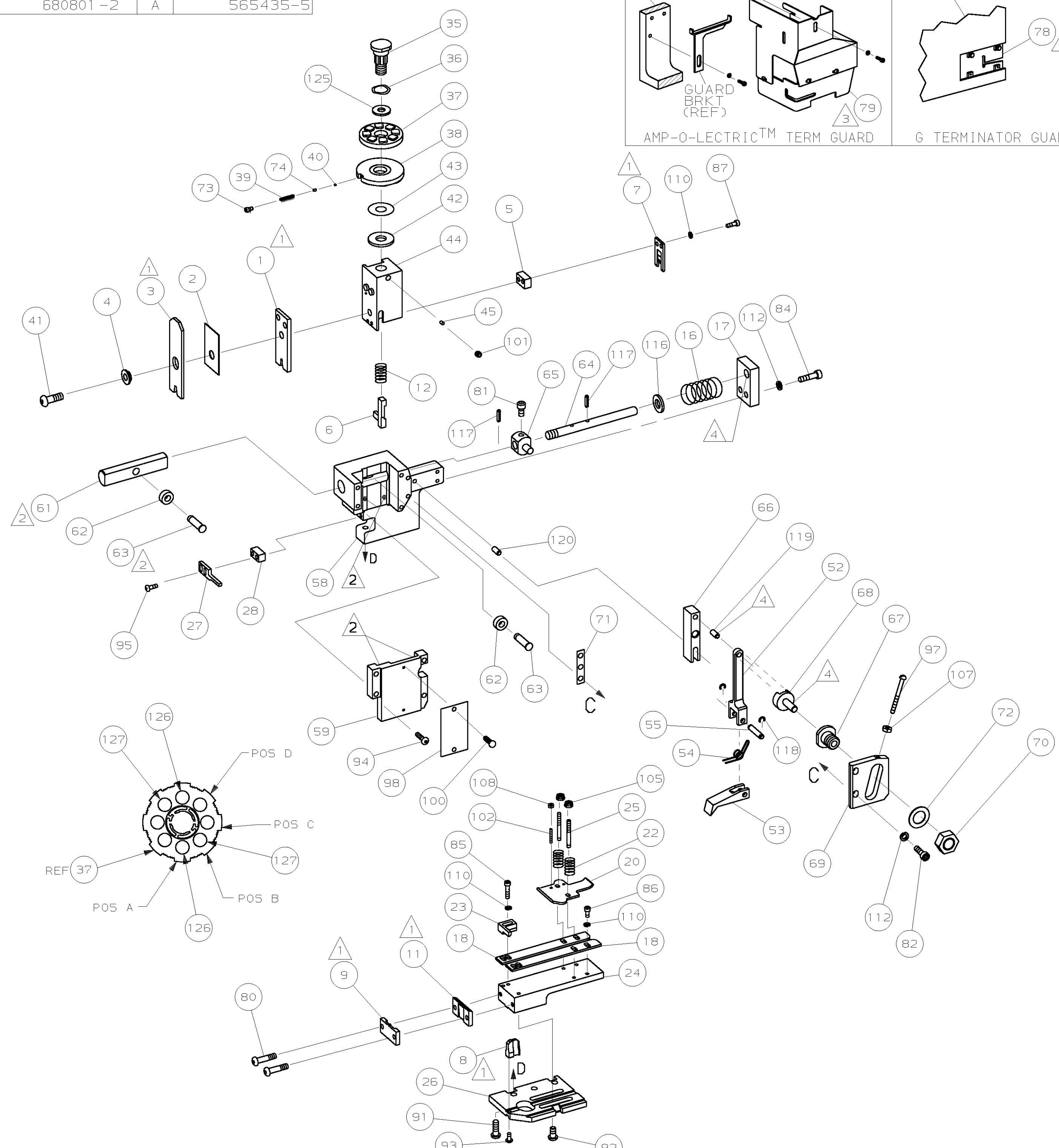
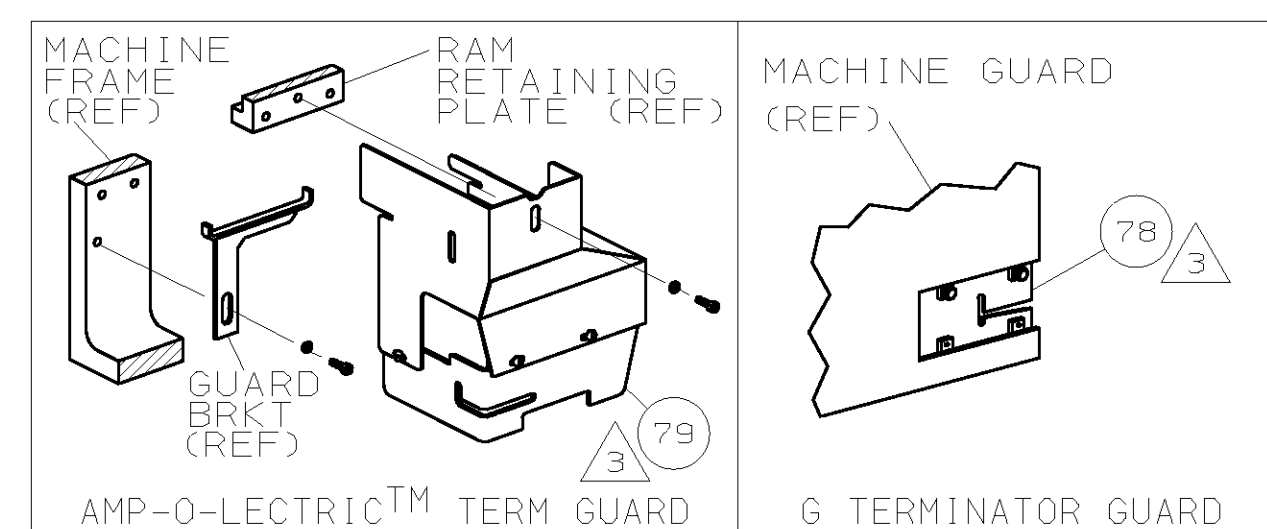


PART NUMBER	REV	FIRST USED
680801-1	A	122500-1
680801-2	A	565435-5

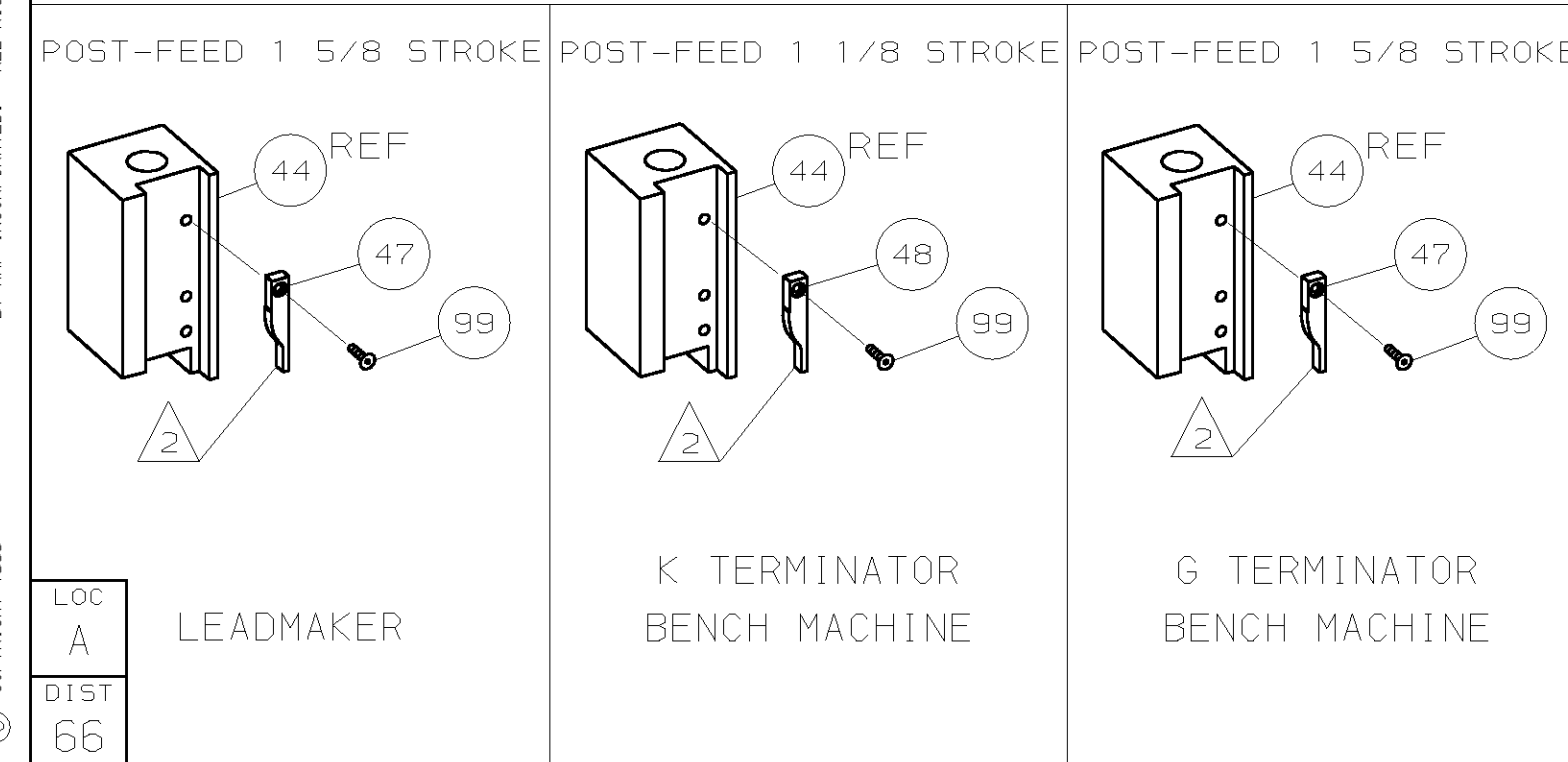


TERMINAL NAME: TERMINAL		286794		CRIMP DATA (NON-AMP TERMINAL-AMP SPEC)	
PAD LTR	CRIMP HEIGHT	WIRE SIZE			
A	.052 ±.002 [1.32 ±0.05mm]	20			
B	.049 ±.002 [1.24 ±0.05mm]	22			
C	NOT	USED			
D	NOT	USED			
CRIMP	SIZE	TYPE		RANGE	
WIRE	.080 [2.03mm]	F		22-20	
INSUL	.150 [3.81mm]	F		φ.072 MAX	
WIRE STRIP LENGTH	TERM APPL SPEC	FEED	APPL INSTRUCTION	SET UP GAGE	LAYOUT
.141-.156	NONE	.575	408-8039	458638-1	L2219

LEADMAKER & BENCH MODEL G		MECH POST FEED			
REF	REF	-	A	22594-8	NUT, HEX
REF	REF	-	B	240628-1	PLATE, ADJ
REF	REF	-	B	240626-1	SHAFT, PIVOT
REF	REF	-	B	240633-1	BUSHING
REF	REF	-	A	455680-1	LEVER, INTERMEDIATE
REF	REF	-	B	240629-1	BLOCK, PIVOT
REF	REF	-	A	240632-2	SCR, ADJ
REF	REF	-	B	240659-3	PIN, CAM ROLLER
REF	REF	-	B	240658-1	CAM, ROLLER
REF	REF	-	B	454398-1	ROD, FEED

						129
						128
2	2	-	C	2-354779-9	PIN, WIRE DISC (.3135)B	127
2	2	-	C	2-354779-2	PIN, WIRE DISC (.3100)A	126
1	1	-	A	986950-1	WASHER, FLAT PRECISION	125
1	1	-	A	217238-1	GENERAL INSTRUCTION PACKAGE	124
1	1	-	-	4088039	EF APPL INST 408-8039	123
						122
						121
REF	REF	-	A	1-21030-7	PIN, DOWEL (φ.187x1.50)H5G	120
REF	REF	-	A	1-21030-1	PIN, DOWEL (φ.187x.50)LEVER	119
REF	REF	-	A	21045-3	RING, RET "C" (φ.187)FD PIN	118
REF	REF	-	A	5-21028-1	PIN, STD SPRING (φ.12)FD ADJ ROD	117
REF	REF	-	A	21899-4	WASHER, FLAT (φ5/16)SCR ADJ	116
						115
						114
						113
REF	REF	-	A	21024-5	WASHER, LOCK (NO.10)FD ROD GDE	112
						111
7	7	-	A	21024-4	WASHER, LOCK (NO.8)SHEAR BL	110
						109
2	2	-	A	21018-4	NUT, HEX (4-40)DRAG	108
REF	REF	-	A	21018-5	NUT, HEX (6-32)FD ADJ PL	107
						106
2	2	-	A	21022-2	NUT, HEX 5L (8-32)DRAG STUD	105
						104
						103
2	2	-	A	2-21006-6	SCR, SKT SET (4-40x.62)DRAG	102
1	1	-	A	21009-2	SCR, SKT SET (1/4-20x.25)RAM	101
2	2	-	A	21017-2	SCR, DRIVE (#2x.19) ID PLATE	100
1	1	-	A	1-21002-7	SCR, BHC (6-32x.38) CAM	99
1	1	-	B	461264-1	PLATE, IDENTIFICATION	98
REF	REF	-	A	6-23715-5	SCR, PAN HD (6-32x1.50)FEED ADJ	97
						96
2	2	-	A	2-21002-2	SCR, BHC (8-32x.50)STRIPPER	95
REF	REF	-	A	2-21002-9	SCR, BHC (10-32x.75)H5G CAP	94
1	1	-	A	22733-8	SCR, BHC (8-32x.38 LW) ANVIL	93
4	4	-	A	3-21002-3	SCR, BHC (1/4-20x.50)ST 6D PL	92
REF	REF	-	A	2-22733-8	SCR, BHC (1/4-20x.62)BASE PL	91
						90
						89
						88
2	2	-	A	2-21000-6	SCR, 5HC (8-32x.35) SLUG BLADE	87
3	3	-	A	2-21000-6	SCR, 5HC (8-32x.38) STRIP GUIDE	86
2	2	-	A	2-21000-8	SCR, 5HC (8-32x.62)R STRIP GUIDE	85
REF	REF	-	A	3-21000-7	SCR, 5HC (10-32x.75)FEED ROD GDE	84
						83
REF	REF	-	A	3-21000-6	SCR, 5HC (10-32x.62)FEED ADJ PL	82
REF	REF	-	A	3-21000-4	SCR, 5HC (10-32x.38)PIVOT BLOCK	81
2	2	-	A	2-21002-9	SCR, BHC (10-32x.75)SHEAR PL	80
REF	REF	-	A	455745-1	GUARD, WINDOW	79
-	REF	-	A	679532-1	INSERT, GUARD	78
						77
						76
						75
1	1	-	A	690603-1	SPRING, ASSIST	74
1	1	-	A	23030-1	SCR, SKT CAP (6-32x.25)CP DSC	73
REF	REF	-	A	458109-1	WASHER, FLAT (SPECIAL)	72
REF	REF	-	A	690517-1	SPACER	71

						60
						59
REF	REF	-	C	454220-1	CAP, RAM	58
REF	REF	-	D	453736-1	HOUSING	57
						56
						55
REF	REF	-	B	240624-1	PIN, FEED FINGER	54
REF	REF	-	B	691499-1	SPRING, FEED FINGER	53
REF	REF	-	B	240635-1	FINGER, FEED	52
REF	REF	-	B	240634-1	LEVER, TERMINAL	51
						50
						49
1	-	-	B	690501-3	CAM, POST FEED 1 1/8 ST	48
-	1	-	B	690501-4	CAM, POST-FEED 1 5/8 ST	47
						46
1	1	-	A	690191-1	PLUG, NYLON	45
1	1	-	C	455674-2	RAM	44
1	1	-	A	690125-1	WASHER, LAMINATED	43
1	1	-	A	690124-1	WASHER, RAM	42
1	1	-	A	7-21002-9	BOLT, CRIMPER (5/16-24x1.00)	41
1	1	-	A	23241-6	BALL, STEEL	40
1	1	-	A	690170-1	SPRING, COMPRESSION	39
1	1	-	C	690142-1	DISC, INSULATION	38
1	1	-	D	354777-1	WIRE DISC, PLASTIC	37
1	1	-	A	22480-5	WASHER, SPRING	36
1	1	-	B	690212-1	POST, RAM	35
						34
						33
1	1	-	D	458980-1	APPLICATOR, BASIC (SUB ASSY)	32
						31
						30
						29
1	1	-	B	3-690451-2	SPACER, STRIPPER	28
1	1	-	A	240639-1	STRIPPER	27
REF	REF	-	C	455676-1	PLATE, BASE	26
2	2	-	A	22354-8	DRAG, STUD	25
1	1	-	B	455678-1	PLATE, STRIP GUIDE	24
1	1	-	C	240825-2	PLATE, STRIP HOLD DOWN	23
2	2	-	A	4-22281-1	SPRING, DRAG	22
						21
1	1	-	A	454177-1	DRAG, STOCK	20
						19
2	2	-	C	454204-2	GUIDE, STRIP (FRONT)	18
REF	REF	-	A	454178-1	GUIDE, FEED ROD	17
REF	REF	-	A	4-22284-9	SPRING, FEED RETURN	16
						15
						14
						13
1	1	-	A	23846-1	SPRING, HOLD DOWN	12
1	1	-	B	240644-1	PLATE, REAR SHEAR	11
						10
1	1	-	B	690482-4	PLATE, FRONT SHEAR	9
1	1	-	D	3-356038-3	ANVIL	8
1	1	-	B	690474-4	BLADE, SLUG	7
1	1	-	D	5-455892-8	HOLD DOWN, TERMINAL	6
1	1	-	C	4-240641-0	SPACER, SLUG BLADE	5
1	1	-	B	238009-8	SPACER, BLOCK CRIMPER	4
1	1	-	C	1-683453-8	CRIMPER, INSULATION	3
1	1	-	B	455888-6	SPACER, CRIMPER	2
1	1	-	C	1-456405-8	CRIMPER, WIRE	1



- 1 RECOMMENDED SPARE PARTS.
- 2 GREASE LIGHTLY.
- 3 GUARD MUST BE IN PLACE WHEN OPERATING APPLICATOR IN A BENCH MACHINE.
- 4 LUBRICATE DAILY USING NO. 20 MACHINE OIL.
- 5. ITEMS WITH QTY OF REF SPECIFIED (EXCEPT ITEMS 78 AND 79) ARE USED ON ITEM 32.
- 6 ITEM 78 USED WITH G TERMINATOR ONLY.
- 7 CUT TO LENGTH AT ASSY

THIS DRAWING IS A CONTROLLED DOCUMENT.

THIS DRAWING IS UNCLASSIFIED DATE 08-21-1998 BY AMP INCORPORATED. ALL RIGHTS RESERVED.

REVISION OF EACH ASSY NO (WHEN BLANK, USE DWG REVISION)

REV	DATE	DESCRIPTION	ITEM NO
-2	-1	U/M	

QTY REOD PER ASSY PARTS LIST

DIMENSIONS IN INCHES. DO NOT SCALE PRINT. TOLERANCES UNLESS OTHERWISE SPECIFIED:

DR P.MATHIAS 17MAR99 APP 17MAR99 T.ELBIN

CHK 17MAR99 REL -

C.ERISMAN

NAME END FEED HDM APPLICATOR MACHINE REF MINI APPL

SCALE - DWG NO 680801 SHEET 1 OF 1 REV A1

CUSTOMER AND ASSEMBLY DRAWING