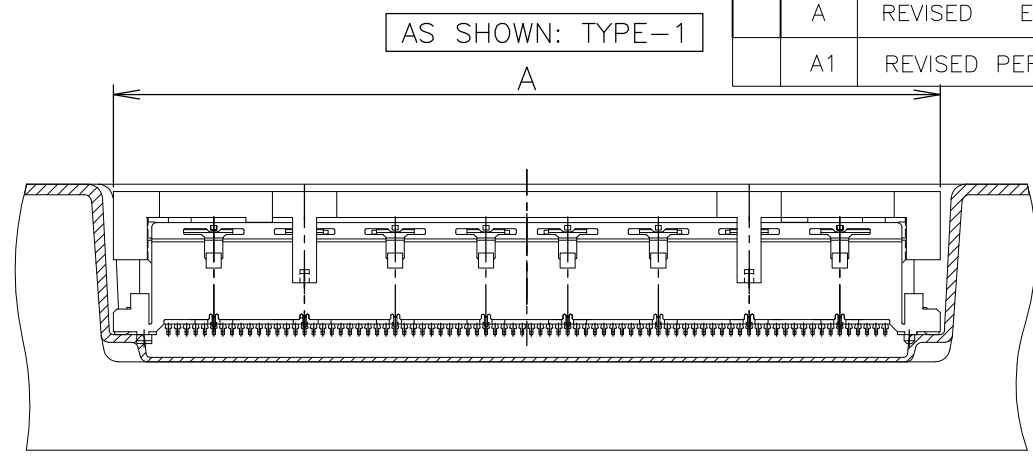
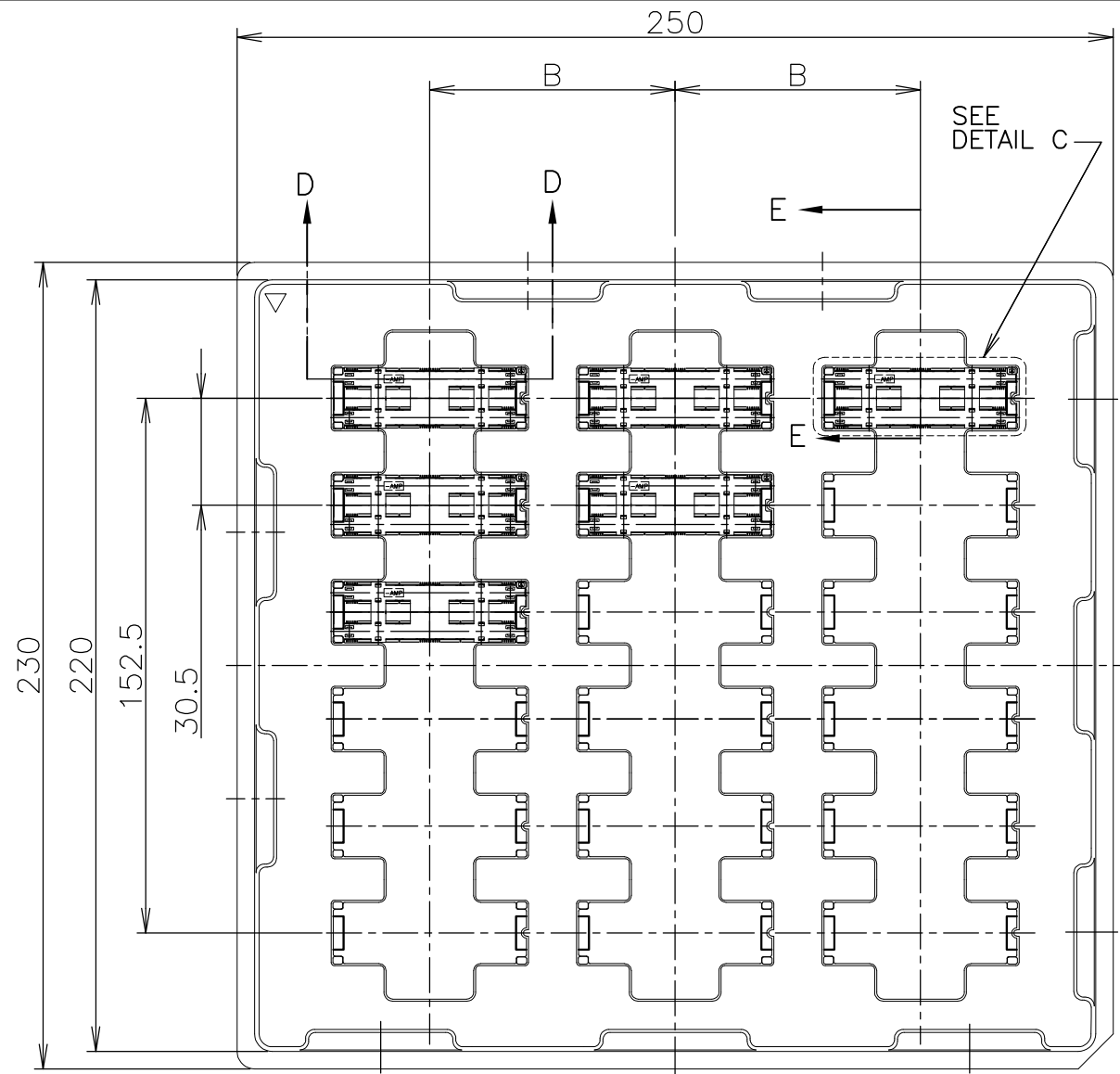


THIS DRAWING IS UNPUBLISHED. RELEASED FOR PUBLICATION NOV, 1998. ALL RIGHTS RESERVED.

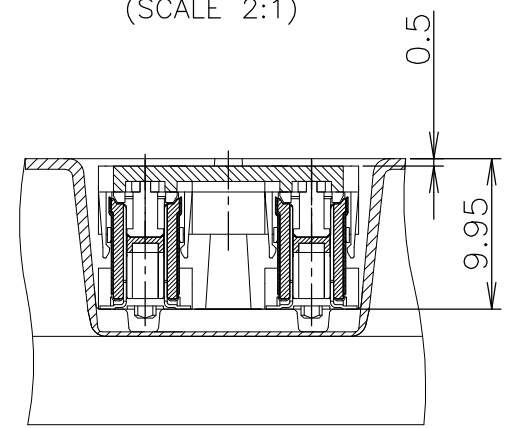
© COPYRIGHT 1998 By -

REVISIONS		DATE	DWN	APVD
P	LTR	DESCRIPTION		
	A	REVISED ECR-08-000339	01FEB08	T.T T.F
	A1	REVISED PER ECO-16-002723	02FEB16	B.J S.Y

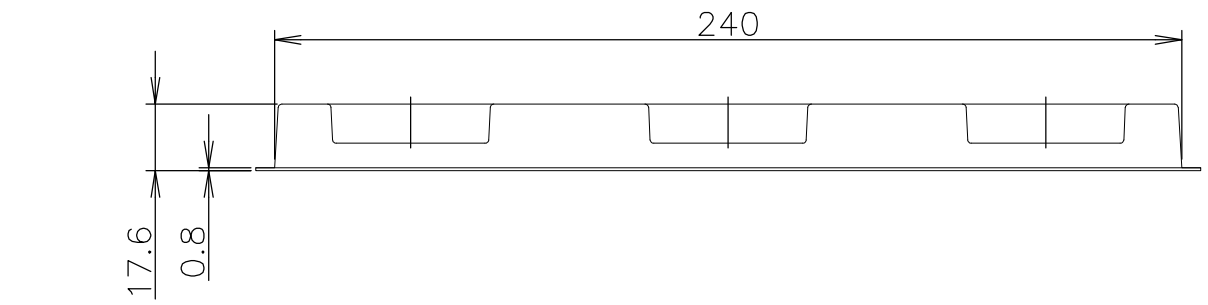
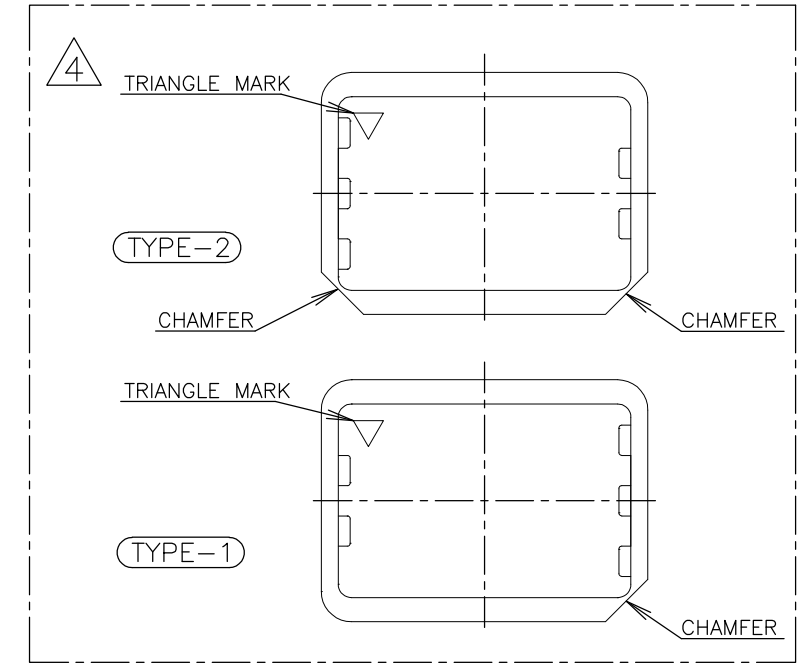


△ TRAY TYPE-1 AND TYPE-2 MUST BE PILED UP BY TURNS.
(REFER TO PACKING SPECIFICATIONS)

D-D
(SCALE 2:1)

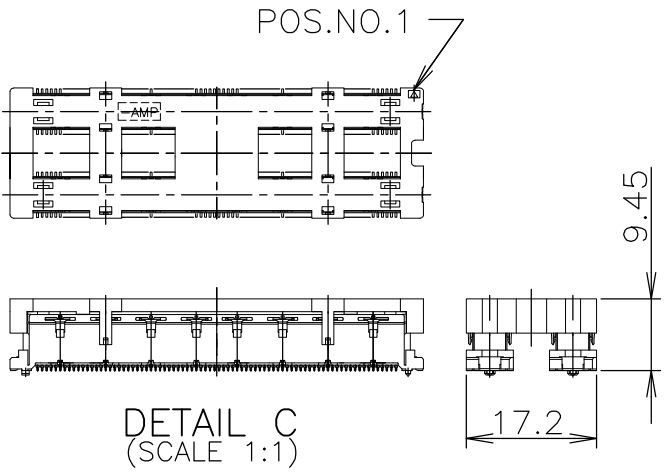


E-E
(SCALE 2:1)



Ⓐ OBSOLETE

SEALANT	TOOLING STATUS	ROW	QTY	B	A	POS.	TRAY P/N	PART NO.
↑	AVAILABLE	3	18	70	54.7	320	6-912069-9	6-6318154-1
↑	NOT AVAILABLE	↑	↑	↑	48.7	280	6- ↑ -8	6- ↑ -0
↓	NOT AVAILABLE	↓	↓	↓	42.7	240	6- ↑ -7	5- ↑ -9
↓	NOT AVAILABLE	3	18	70	36.7	200	6- ↑ -6	5- ↑ -8
↑	NOT AVAILABLE	3	18	70	54.7	320	6- ↑ -9	1- ↑ -1
↑	NOT AVAILABLE	↑	↑	↑	48.7	280	6- ↑ -8	1- ↑ -0
↓	NOT AVAILABLE	↓	↓	↓	42.7	240	6- ↑ -7	↑ -9
↓	NOT AVAILABLE	3	18	70	36.7	200	6-912069-6	6318154-8



GENERAL TOLERANCE
一般公差

10 ≥ ±0.2
30 ≥ >10: ±0.25
100 ≥ >30: ±0.3
ANGLES: ±3°

THIS DRAWING IS A CONTROLLED DOCUMENT.

DIMENSIONS: 単位: 耗 mm

TOLERANCES UNLESS OTHERWISE SPECIFIED: 一般公差

0 PLC ± -
1 PLC ± -
2 PLC ± -
3 PLC ± -
4 PLC ± -
ANGLES ± -

FINISH 仕上

MATERIAL 材料

DWN HAWKING HE 13DEC04
CHK STEVEN YAO 13DEC04
APVD I.ENOMOTO 13DEC04
PRODUCT SPEC 製品規格 108-60047
APPLICATION SPEC 取付適用規格 114-5255
WEIGHT

STE TE Connectivity

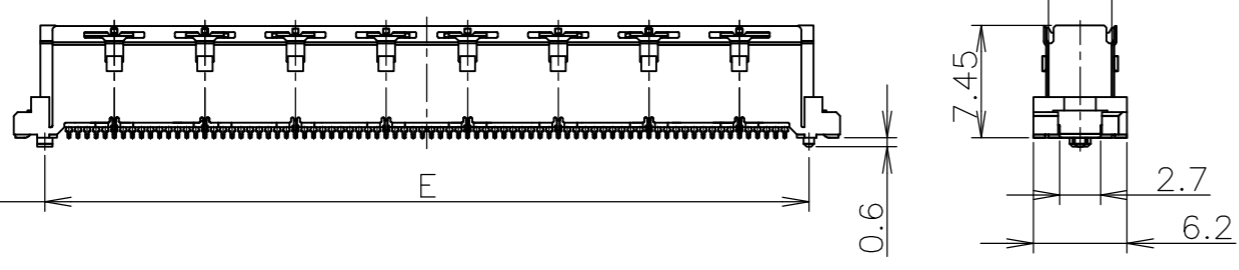
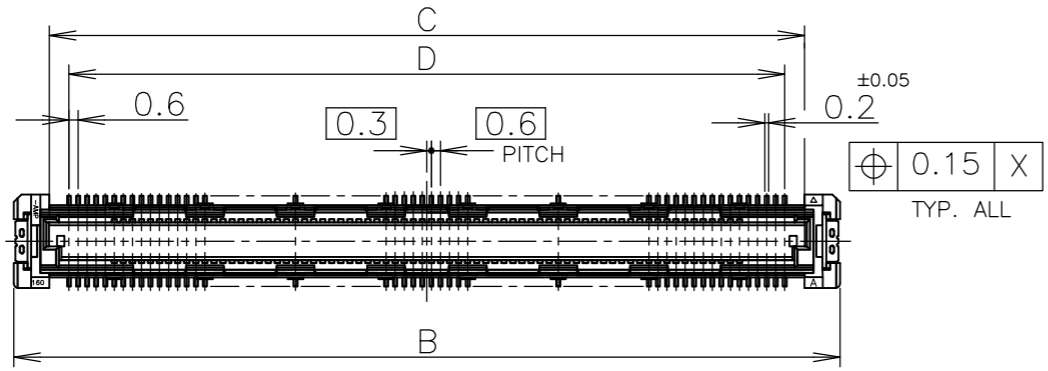
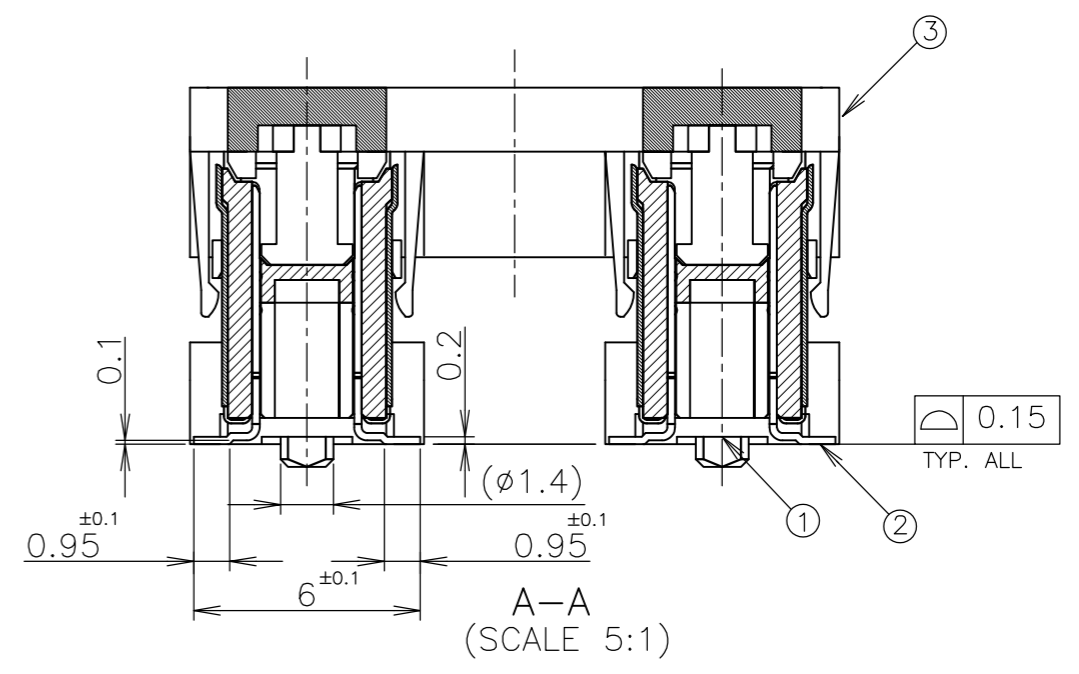
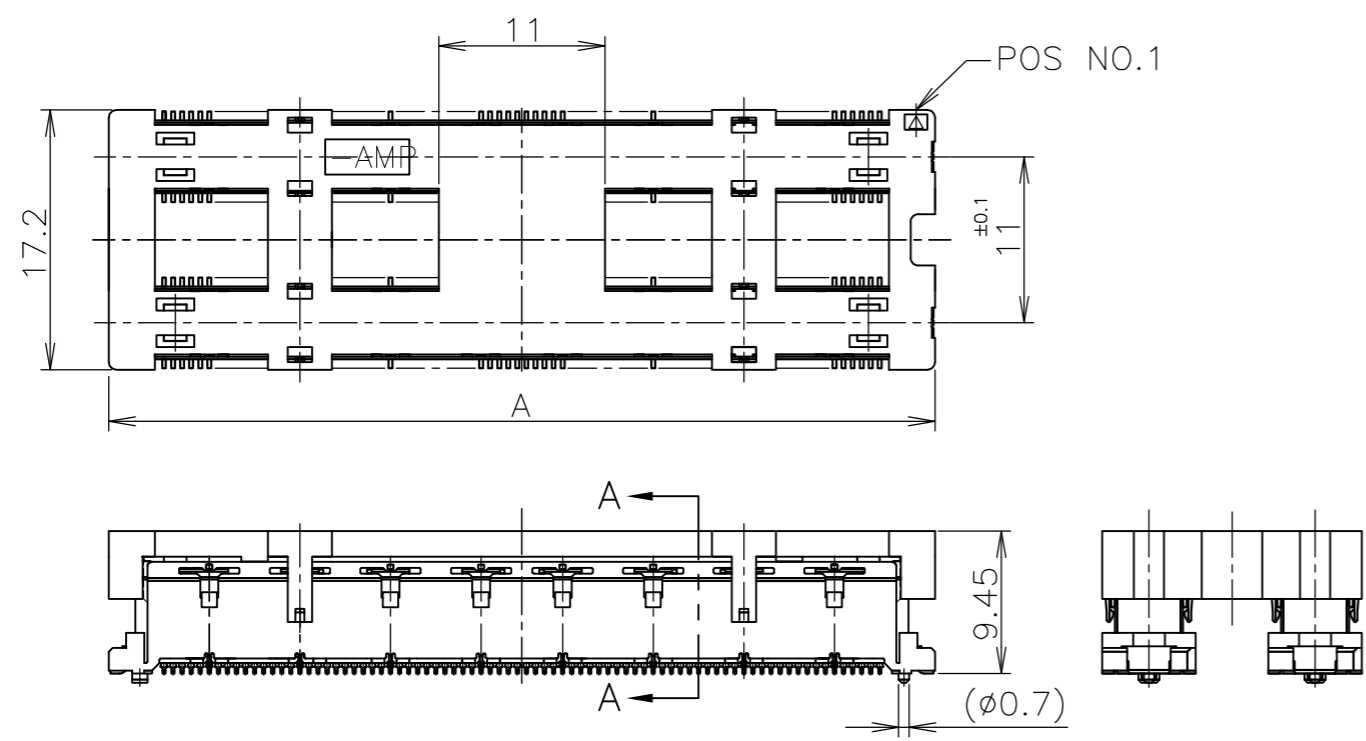
SOFT TRAY ASSY
FH 0.6BTB CONNECTOR
PLUG 8H W/G-PLATE 2ROW TYPE

SIZE A3 CAGE CODE 00779 DRAWING NO. C-6318154 RESTRICTED TO

CUSTOMER DRAWING SCALE 1:2 SHEET 1 OF 6 REV A1

THIS DRAWING IS UNPUBLISHED. RELEASED FOR PUBLICATION NOV, 1998.
 © COPYRIGHT 1998 By - ALL RIGHTS RESERVED.

REVISIONS 変更					
P	LTR	DESCRIPTION	DATE	DWN	APVD
-	-	SEE SHEET 1	-	-	-



- ① MATERIAL ; ① HOUSING : HIGH TEMP THERMO PLASTIC UL94V-0 (COLOR : NATURAL)
- ② CONTACT : COPPER ALLOY
- ③ CAP HOUSING : HIGH TEMP THERMO PLASTIC UL94V-0 (COLOR : BLACK)
- ② FINISH ; UNDER PL Ni 0.0013mm MIN ALL OVER.
CONTACT AREA 0.0002 MIN Au PL.
SOLDERING AREA 0.001 MIN TIN PL.
- ③ THIS POSITION IS GROUND CIRCUIT.

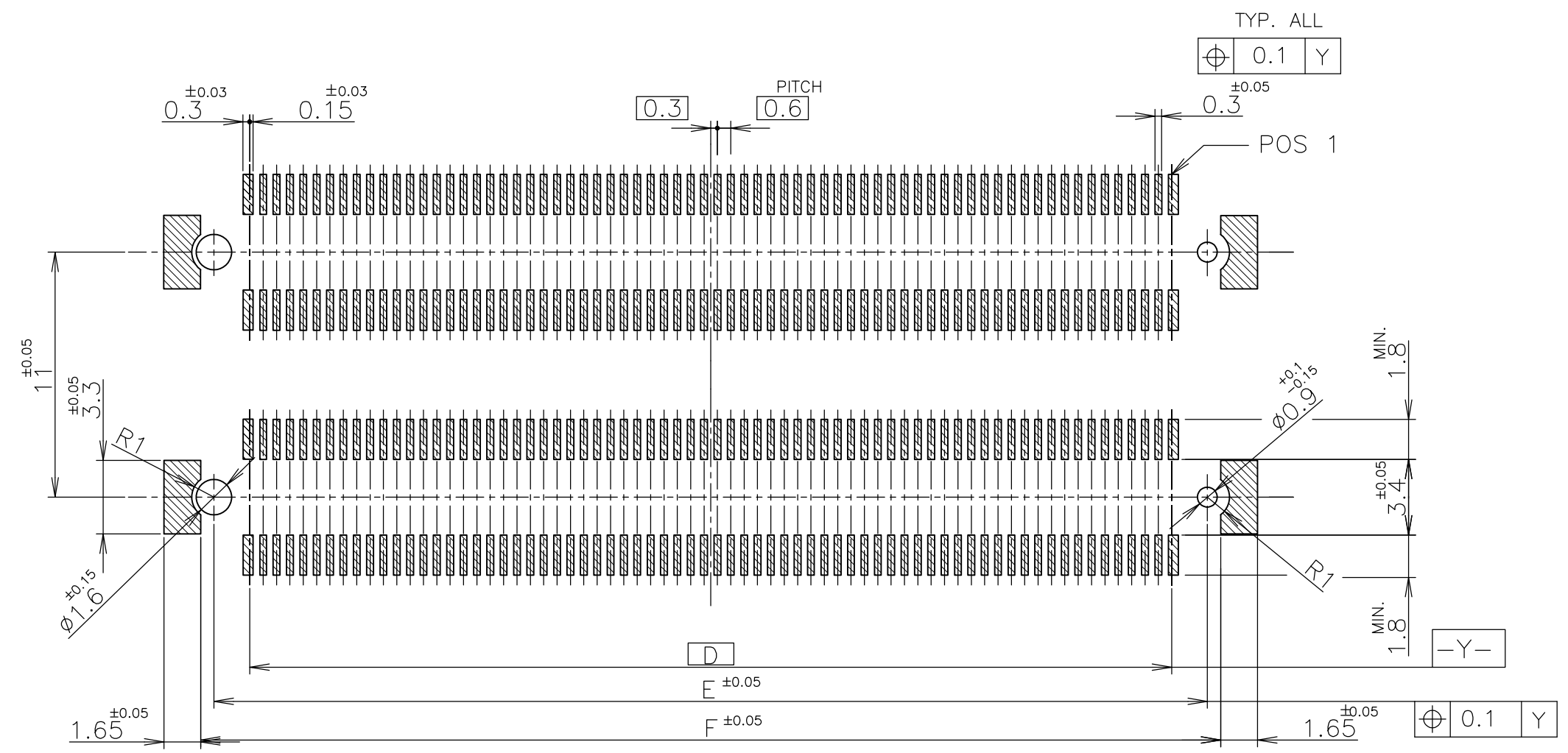
AVAILABLE	51.8	50.6	47.4	50	54.7	54.7	320	1-	-1
NOT AVAILABLE	45.8	44.6	41.4	44	48.7	48.7	280	1-	-0
NOT AVAILABLE	39.8	38.6	35.4	38	42.7	42.7	240		-9
NOT AVAILABLE	33.8	32.6	29.4	32	36.7	36.7	200		1318156-8
TOOLING STATUS	F	E	D	C	B	A	POS		CAP P/N

THIS DRAWING IS A CONTROLLED DOCUMENT.		DWN	STE TE Connectivity		
DIMENSIONS: 単位: 耗 mm		CHK			
TOLERANCES UNLESS OTHERWISE SPECIFIED: 一般公差		APVD	NAME 名称		
0 PLC ±-		PRODUCT SPEC 製品規格	SOFT TRAY ASSY		
1 PLC ±-		APPLICATION SPEC 取付適用規格	FH 0.6BTB CONNECTOR		
2 PLC ±-		WEIGHT	SIZE	CAGE CODE	DRAWING NO
3 PLC ±-			A3	00779	G-6318154
4 PLC ±-					RESTRICTED TO
ANGLES ±-					番号
FINISH 仕上		CUSTOMER DRAWING		SCALE 尺度 2:1	SHEET 2 OF 6
MATERIAL 材料				REV A1	

GENERAL TOLERANCE 一般公差
 10 ≥ : ±0.2
 30 ≥ : >10: ±0.25
 100 ≥ : >30: ±0.3
 ANGLES: ±3°

THIS DRAWING IS UNPUBLISHED. RELEASED FOR PUBLICATION NOV, 1998.
 © COPYRIGHT 1998 By - ALL RIGHTS RESERVED.

P		LTR		DESCRIPTION	DATE	DWN	APVD
-		-		SEE SHEET 1	-	-	-



REFERENCE P.C.BOARD LAYOUT

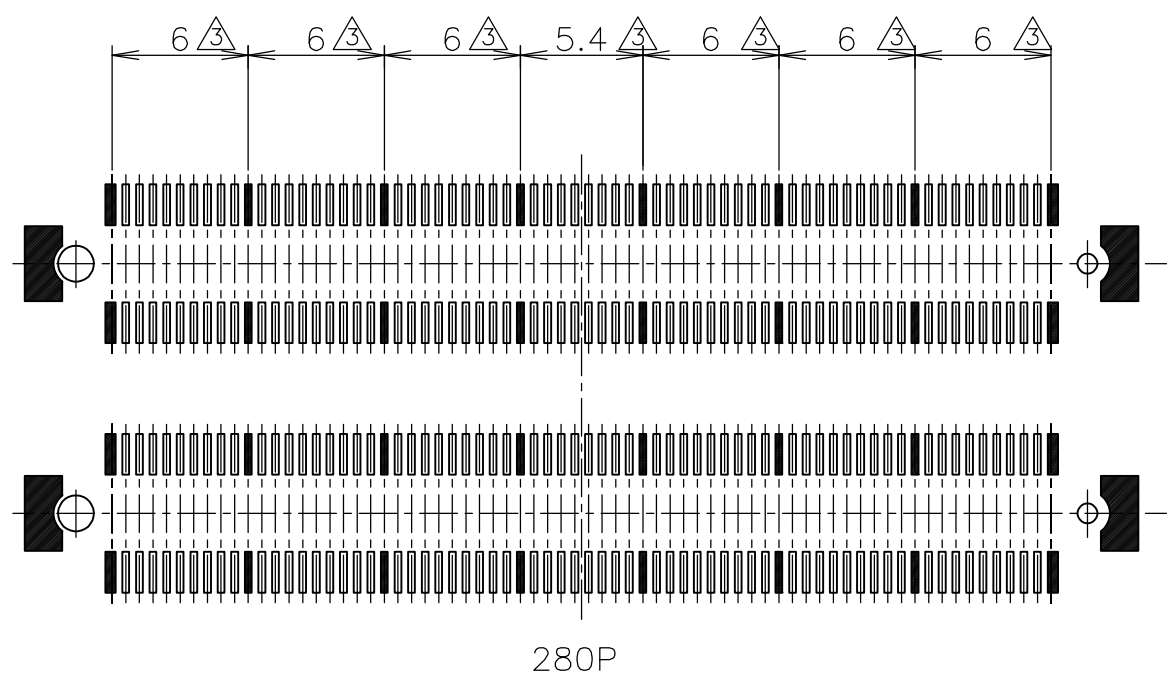
GENERAL TOLERANCE
 一般公差

10 ≥ : ±0.2
 30 ≥ >10 : ±0.25
 100 ≥ >30 : ±0.3
 ANGLES : ±3°

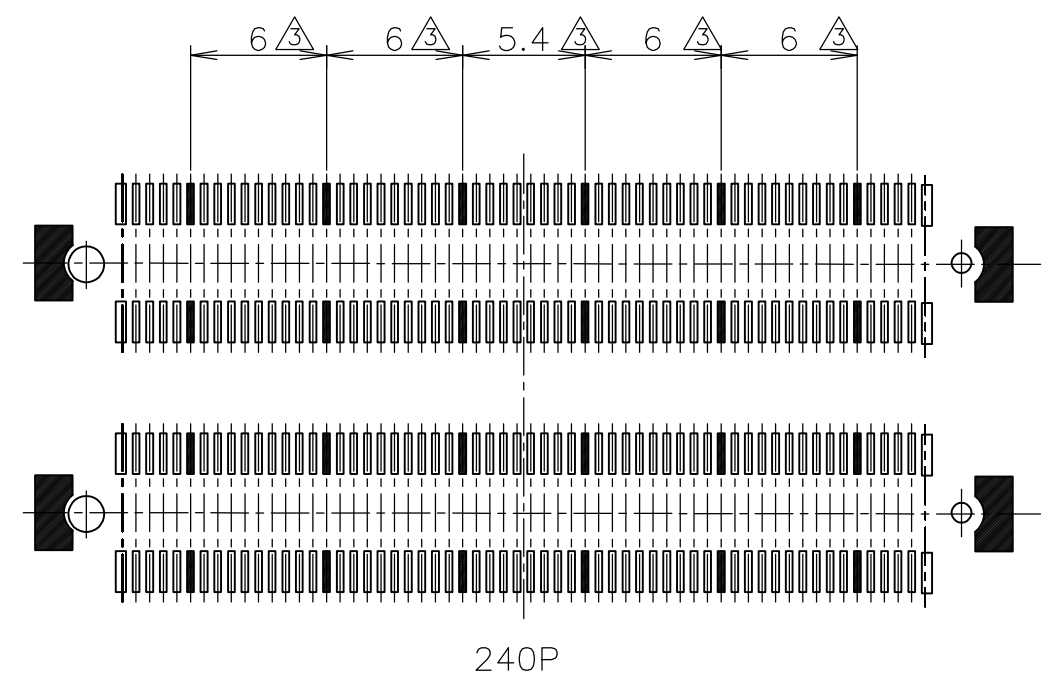
THIS DRAWING IS A CONTROLLED DOCUMENT.		DWN		TE Connectivity	
DIMENSIONS: 单位: 耗 mm		CHK			
TOLERANCES UNLESS OTHERWISE SPECIFIED: 一般公差		APVD		NAME 名称	
0 PLC ± - 1 PLC ± - 2 PLC ± - 3 PLC ± - 4 PLC ± - ANGLES ± -		PRODUCT SPEC 製品規格		SOFT TRAY ASSY	
MATERIAL 材料		FINISH 仕上		FH 0.6BTB CONNECTOR	
FINISH 仕上		WEIGHT		PLUG 8H W/G-PLATE 2ROW TYPE	
CUSTOMER DRAWING		SIZE	CAGE CODE	DRAWING NO 番号	RESTRICTED TO
		A3	00779	G-6318154	
		SCALE 尺度 4:1		SHEET 3 OF 6	REV A1

THIS DRAWING IS UNPUBLISHED. RELEASED FOR PUBLICATION NOV , 1998.
 © COPYRIGHT 1998 By - ALL RIGHTS RESERVED.

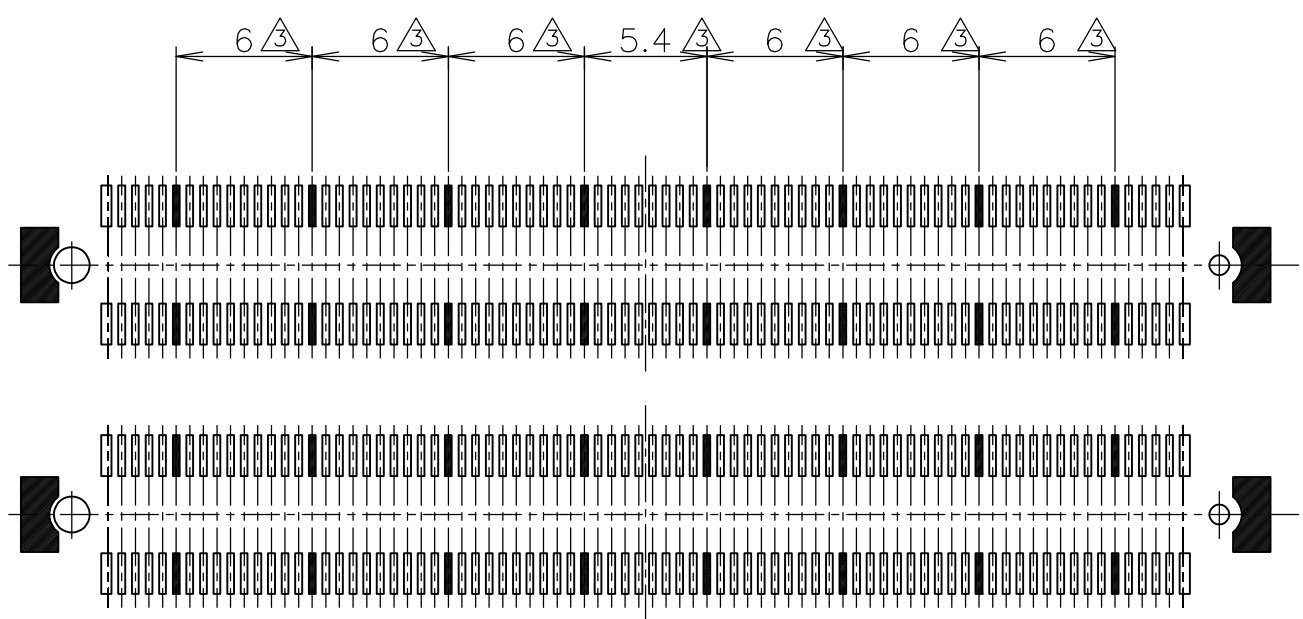
REVISIONS 変更				
P	LTR	DESCRIPTION	DATE	APVD
-	-	SEE SHEET 1	-	-



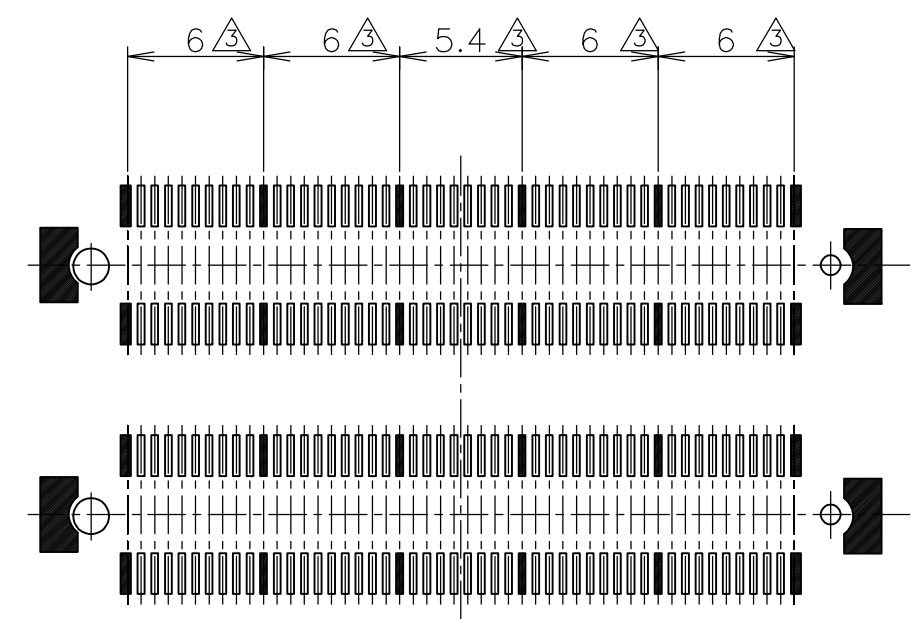
280P



240P



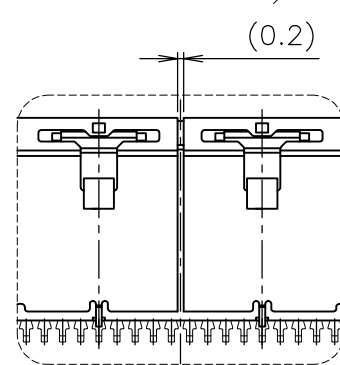
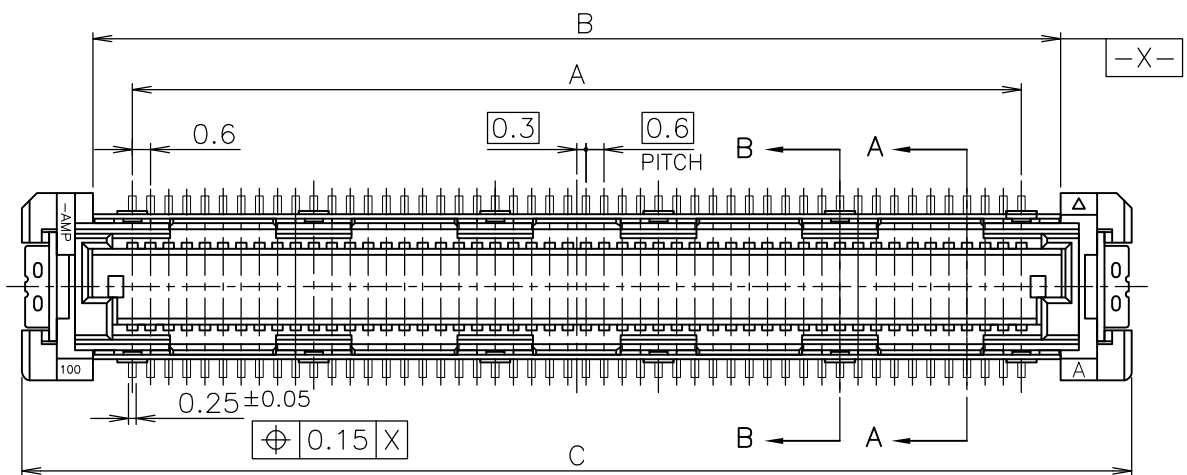
320P



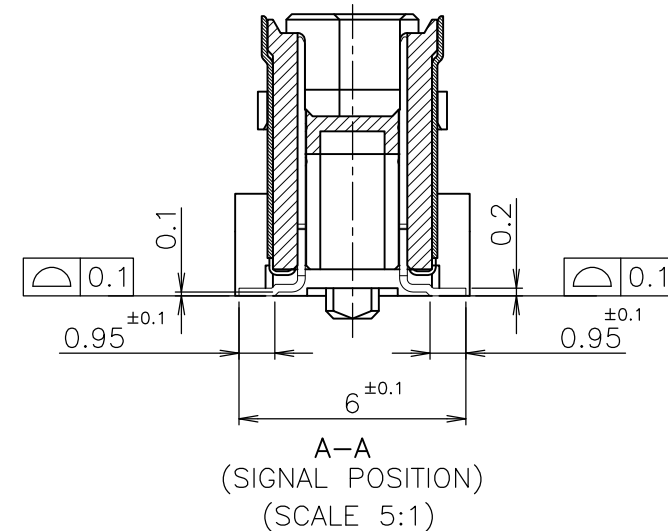
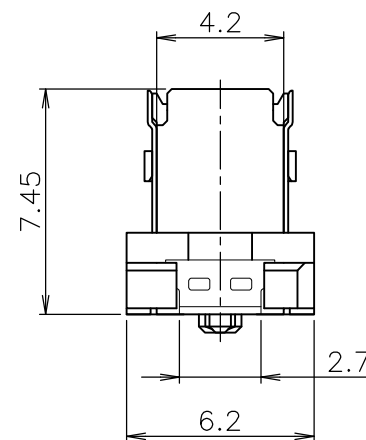
200P

THIS DRAWING IS A CONTROLLED DOCUMENT.		DWN	TE Connectivity			
DIMENSIONS: 单位: 耗 mm		CHK				
TOLERANCES UNLESS OTHERWISE SPECIFIED: 一般公差		APVD	NAME 名称			
0 PLC ± - 1 PLC ± - 2 PLC ± - 3 PLC ± - 4 PLC ± - ANGLES ± -		PRODUCT SPEC 製品規格	SOFT TRAY ASSY FH 0.6BTB CONNECTOR PLUG 8H W/G-PLATE 2ROW TYPE			
MATERIAL 材料		APPLICATION SPEC 取付適用規格	SIZE	CAGE CODE	DRAWING NO 番号	RESTRICTED TO
FINISH 仕上		WEIGHT	A3	00779	G-6318154	
GENERAL TOLERANCE 一般公差 10 ≥ : ±0.2 30 ≥ : >10: ±0.25 100 ≥ : >30: ±0.3 ANGLES: ±3°		CUSTOMER DRAWING		SCALE 尺度 3:1	SHEET 4 OF 6	REV A1

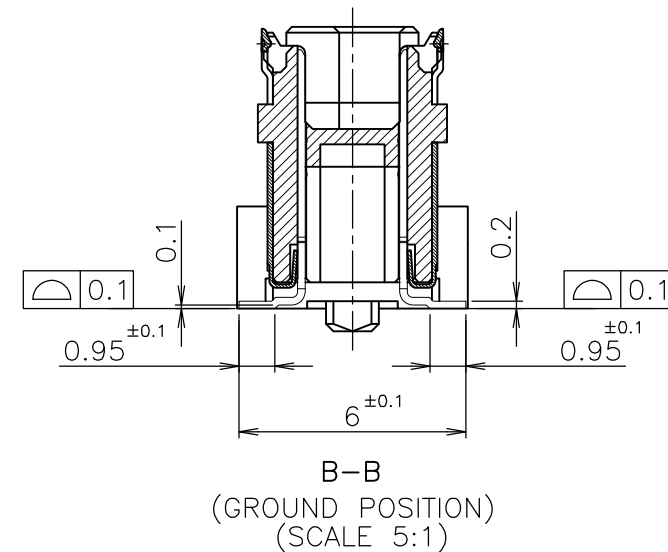
P	LTR	DESCRIPTION	DATE	DWN	APVD
-	-	SEE SHEET 1	-	-	-



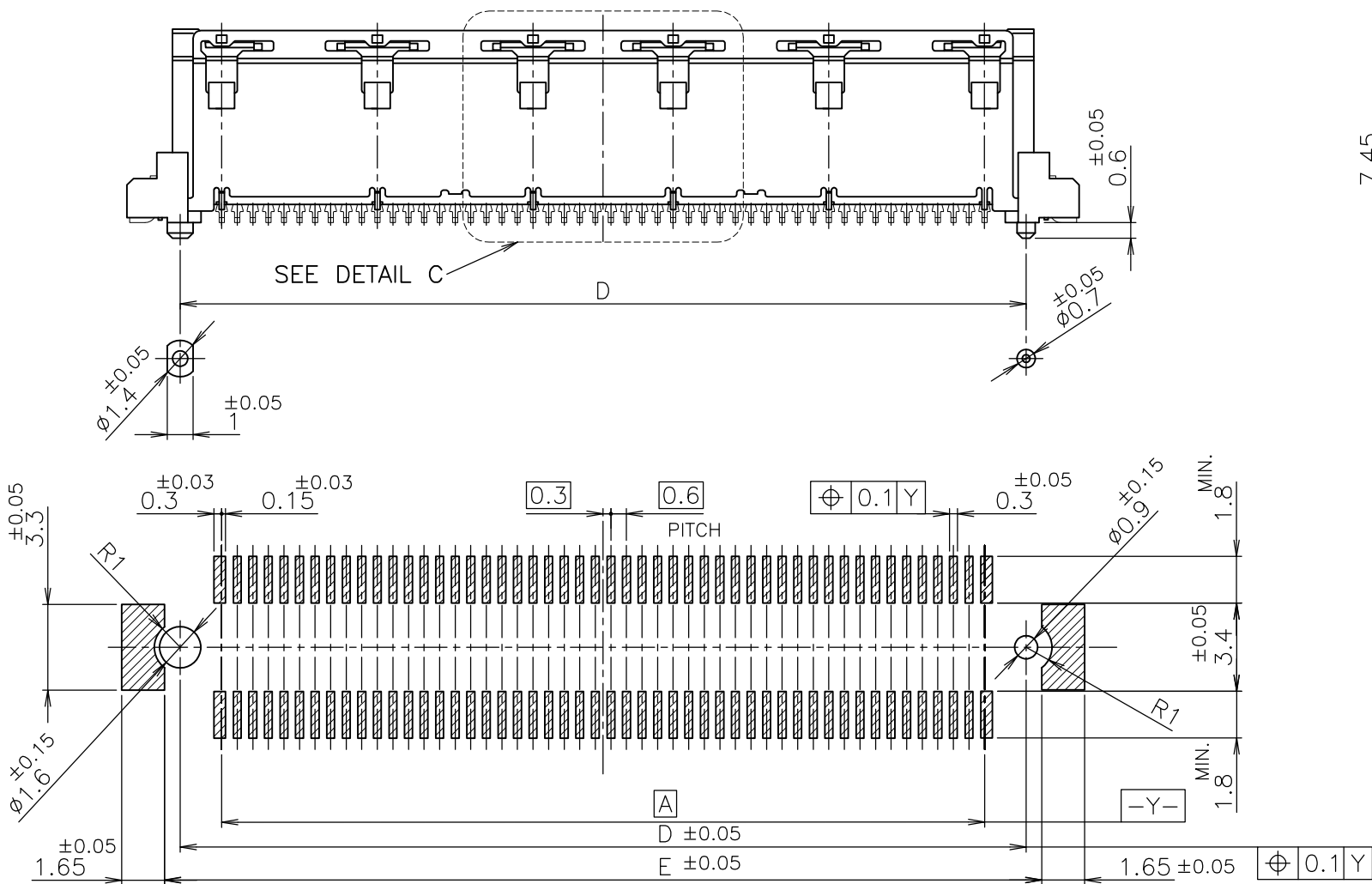
DETAIL C
180P~240P ONLY



A-A
(SIGNAL POSITION)
(SCALE 5:1)



B-B
(GROUND POSITION)
(SCALE 5:1)



REFERENCE P.C.BOARD LAYOUT

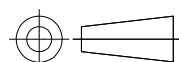
AVAILABLE	51.8	50.6	54.7	50	47.4	160
AVAILABLE	45.8	44.6	48.7	44	41.4	140
NOT AVAILABLE	39.8	38.6	42.7	38	35.4	120
NOT AVAILABLE	33.8	32.6	36.7	32	29.4	100
TOOLING STATUS	E	D	C	B	A	POS

GENERAL TOLERANCE
一般公差

10 ≥ ±0.2
30 ≥ >10: ±0.25
100 ≥ >30: ±0.3
ANGLES: ±3°

THIS DRAWING IS A CONTROLLED DOCUMENT.

DIMENSIONS:
単位: 耗
mm



MATERIAL
材料



TOLERANCES UNLESS
OTHERWISE SPECIFIED:
一般公差

0 PLC	± -
1 PLC	± -
2 PLC	± -
3 PLC	± -
4 PLC	± -
ANGLES	± -
FINISH 仕上	2



DWN

CHK

APVD

PRODUCT SPEC
製品規格

APPLICATION SPEC
取付適用規格

WEIGHT

CUSTOMER DRAWING

STE TE Connectivity

NAME
名称

SOFT TRAY ASSY
FH 0.6BTB CONNECTOR
PLUG 8H W/G-PLATE 2ROW TYPE

SIZE

CAGE CODE

DRAWING NO
番号

RESTRICTED TO

A300779

G-6318154

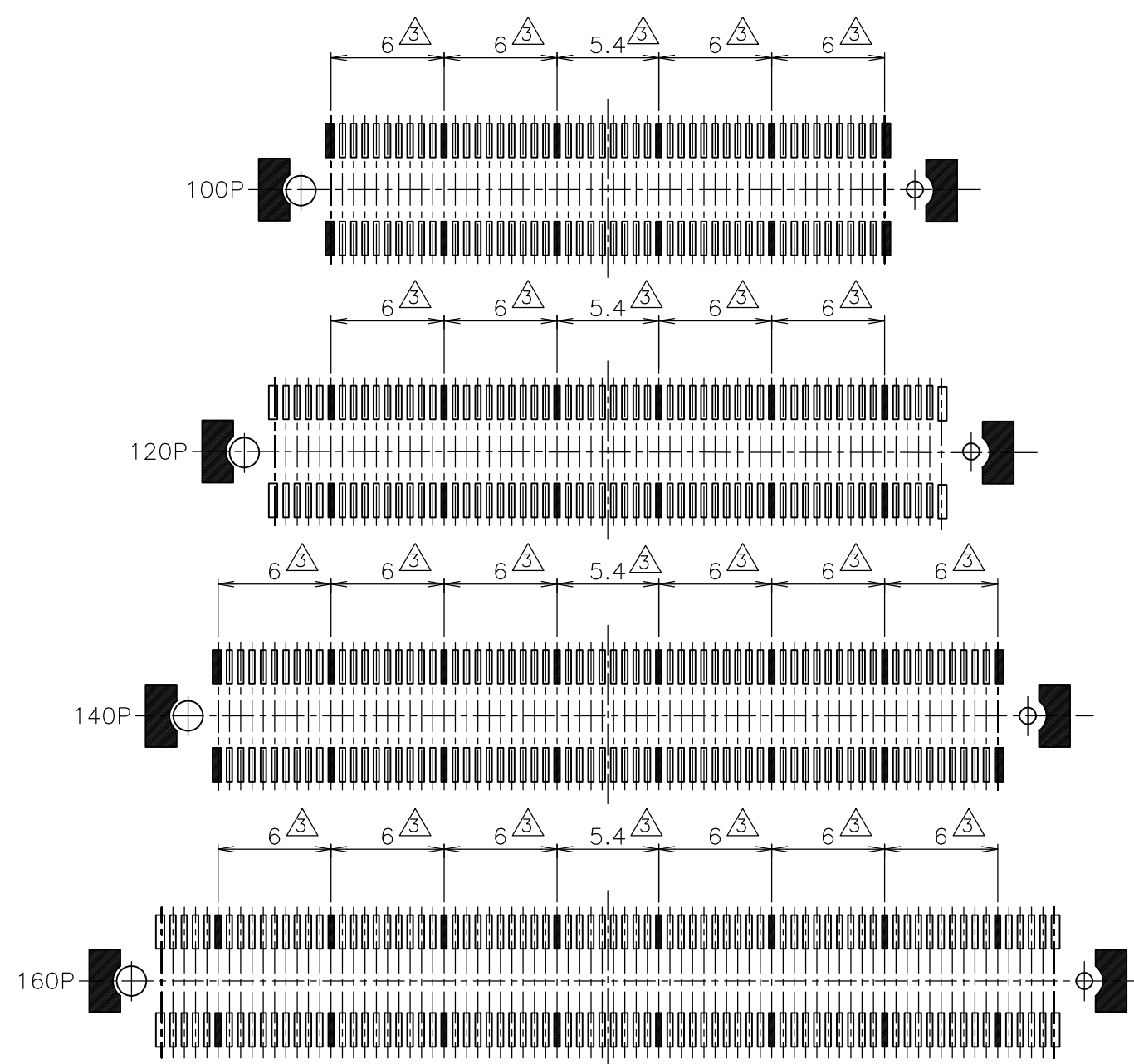
SCALE
尺度 4:1

SHEET
5 OF 6

REV
A1

THIS DRAWING IS UNPUBLISHED. RELEASED FOR PUBLICATION NOV, 1998.
 © COPYRIGHT 1998 By - ALL RIGHTS RESERVED.

REVISIONS 変更				
P	LTR	DESCRIPTION	DATE	APVD
-	-	SEE SHEET 1	-	-



GENERAL TOLERANCE
一般公差

10 ≥ : ±0.2
 30 ≥ >10 : ±0.25
 100 ≥ >30 : ±0.3
 ANGLES : ±3°

THIS DRAWING IS A CONTROLLED DOCUMENT.	
DIMENSIONS: 単位: 耗 mm	TOLERANCES UNLESS OTHERWISE SPECIFIED: 一般公差
	0 PLC ± - 1 PLC ± - 2 PLC ± - 3 PLC ± - 4 PLC ± - ANGLES ± -
MATERIAL 材料	FINISH 仕上

DWN
CHK
APVD
PRODUCT SPEC 製品規格
APPLICATION SPEC 取付適用規格
WEIGHT
CUSTOMER DRAWING

STE TE Connectivity			
NAME 名称 SOFT TRAY ASSY FH 0.6BTB CONNECTOR PLUG 8H W/G-PLATE 2ROW TYPE			
SIZE	CAGE CODE	DRAWING NO 番号	RESTRICTED TO
A3	00779	G-6318154	
SCALE 尺度 3:1		SHEET 6 OF 6	REV A1