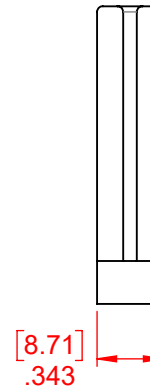
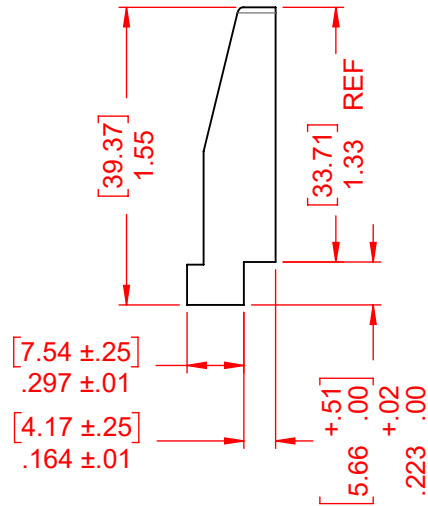
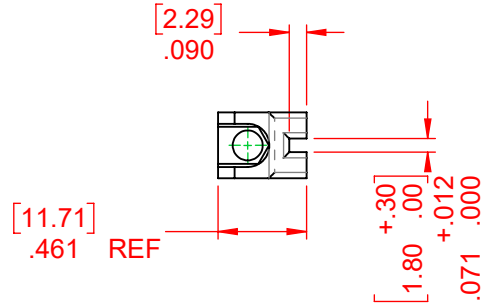


TOLERANCE UNLESS OTHERWISE SPECIFIED	
.X	±.035
.XX	±.010
.XXX	±.005

THIS IS A C.A.D. GENERATED DRAWING
DO NOT MAKE MANUAL REVISIONS TO MASTER.



ISSUE NUMBER	
ORIGINAL	①



NOTE:
MATERIAL: THERMOPLASTIC POLYESTER, GREEN IN COLOR, UL94V-0



THIS SERIES FULLY CONFORMS TO
THE EUROPEAN UNION DIRECTIVES
2011/65/EU FOR RoHS COMPLIANCY.



YOUR CONNECTION TO QUALITY & SERVICE

EDAC INC
TORONTO, ONTARIO
CANADA

THESE DRAWINGS AND SPECIFICATIONS
ARE THE PROPERTY OF EDAC INC., AND
SHALL NOT BE REPRODUCED, OR COPIED
OR USED AS THE BASIS FOR THE
MANUFACTURE OR SALE OF APPARATUS
WITHOUT WRITTEN PERMISSION.

INLINE CARD GUIDE

ACAD REFERENCE NO.: 307-220-078	
DRAWN: D. NICHOLSON	DATE: FEB, 16/1988
CHECKED:	DATE:
SCALE: 1:1	SHEET 1 OF 1
DRAWING NUMBER: 307-220-078	ISSUE
PART NUMBER: 307-220-078	9