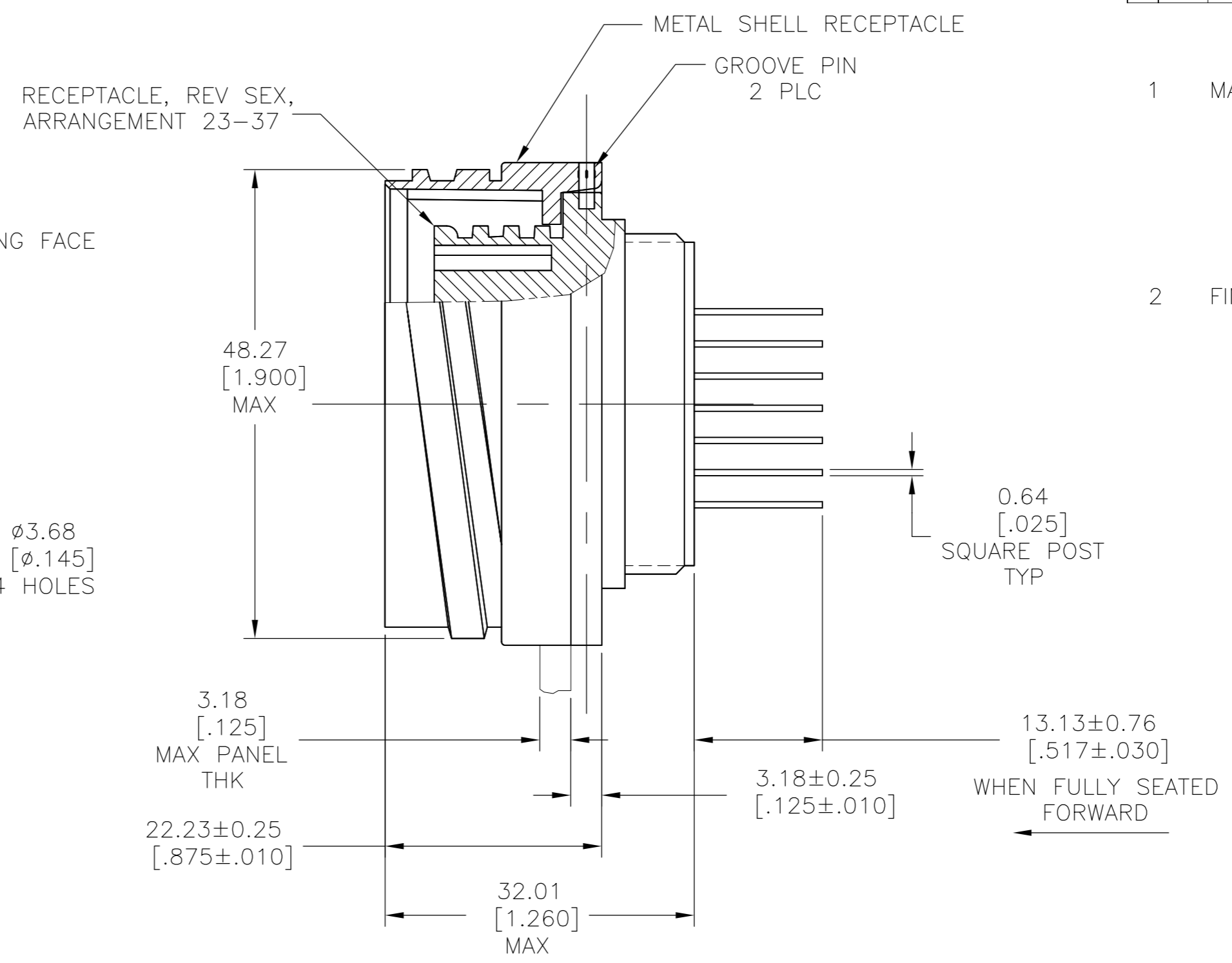
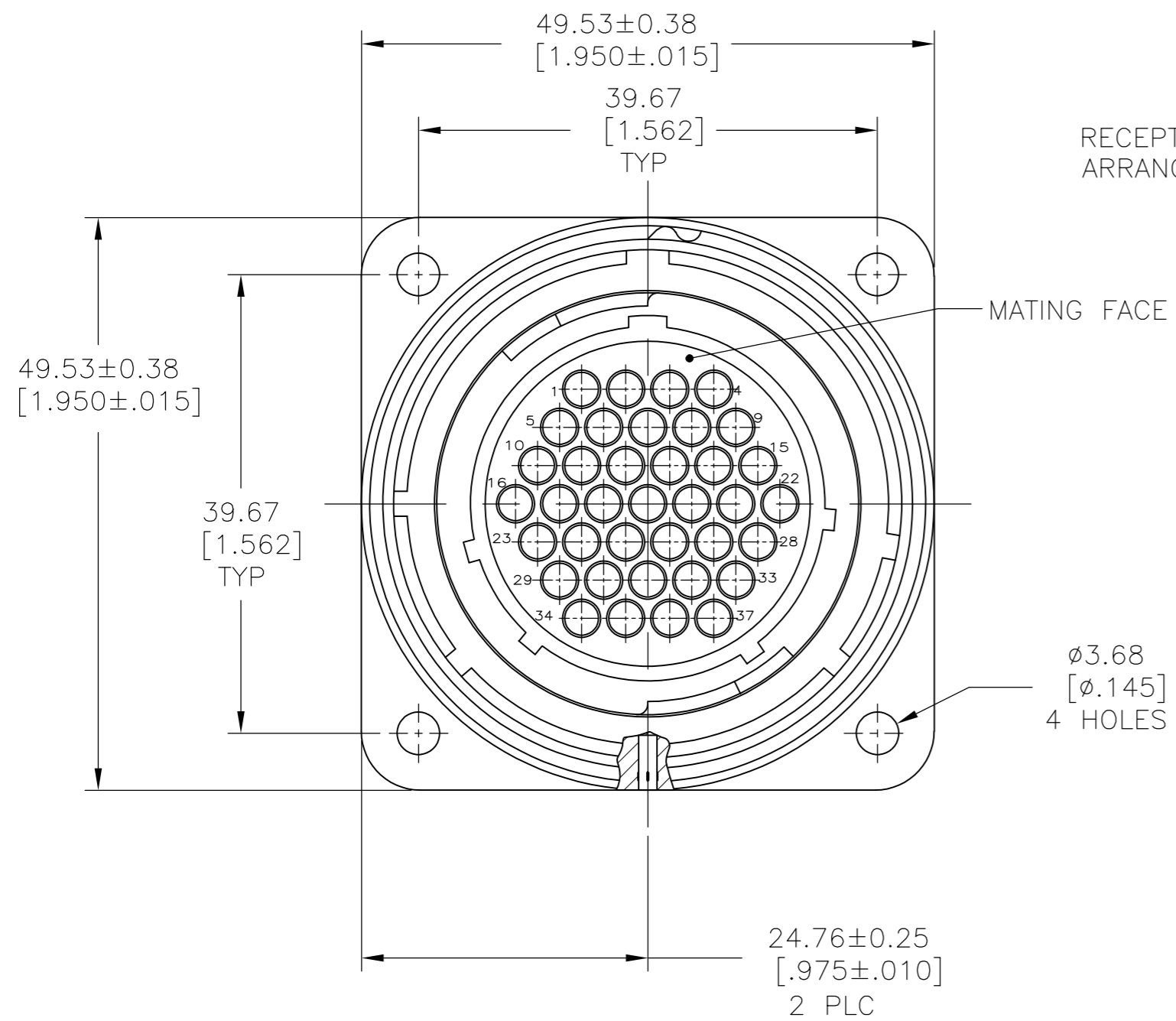
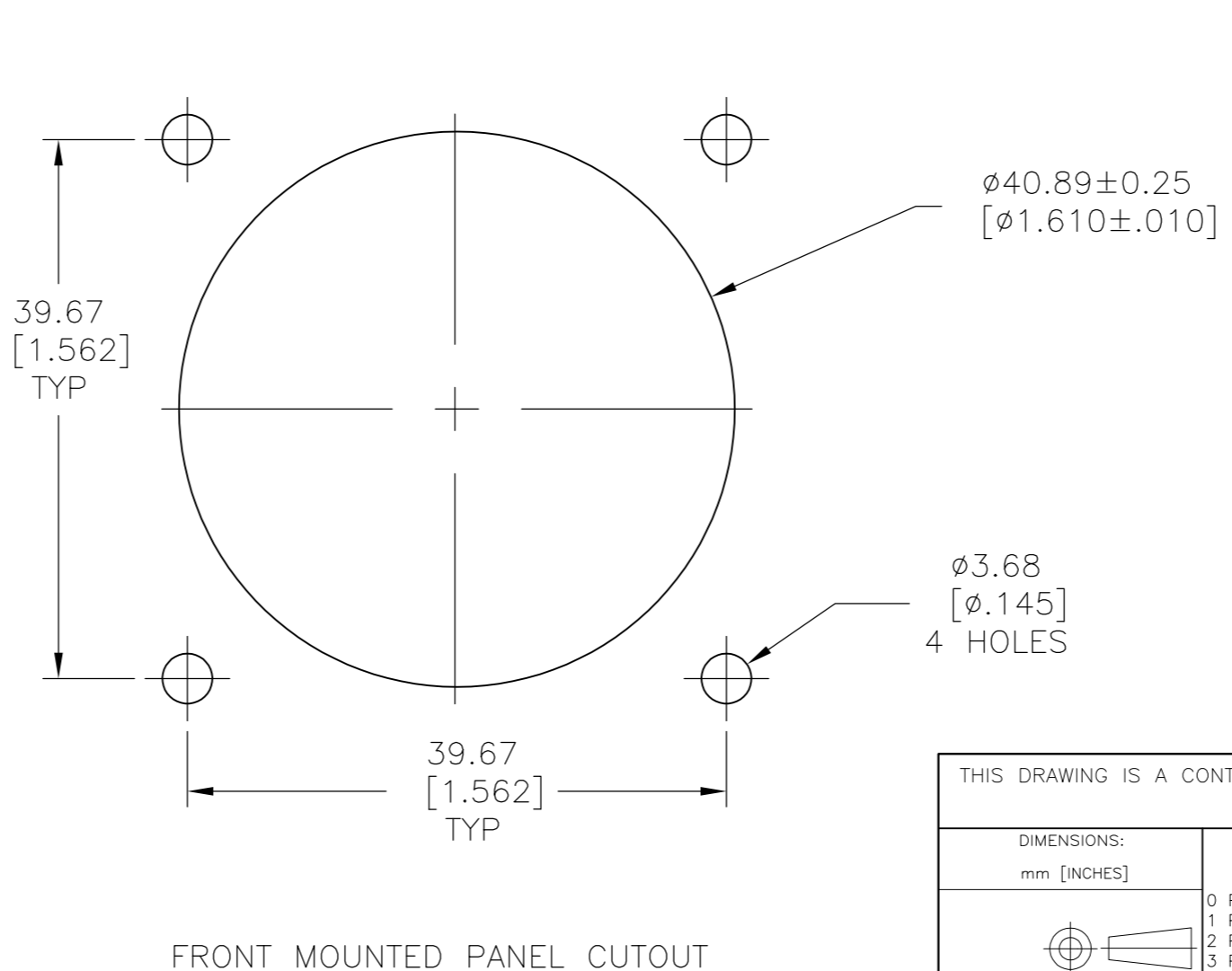
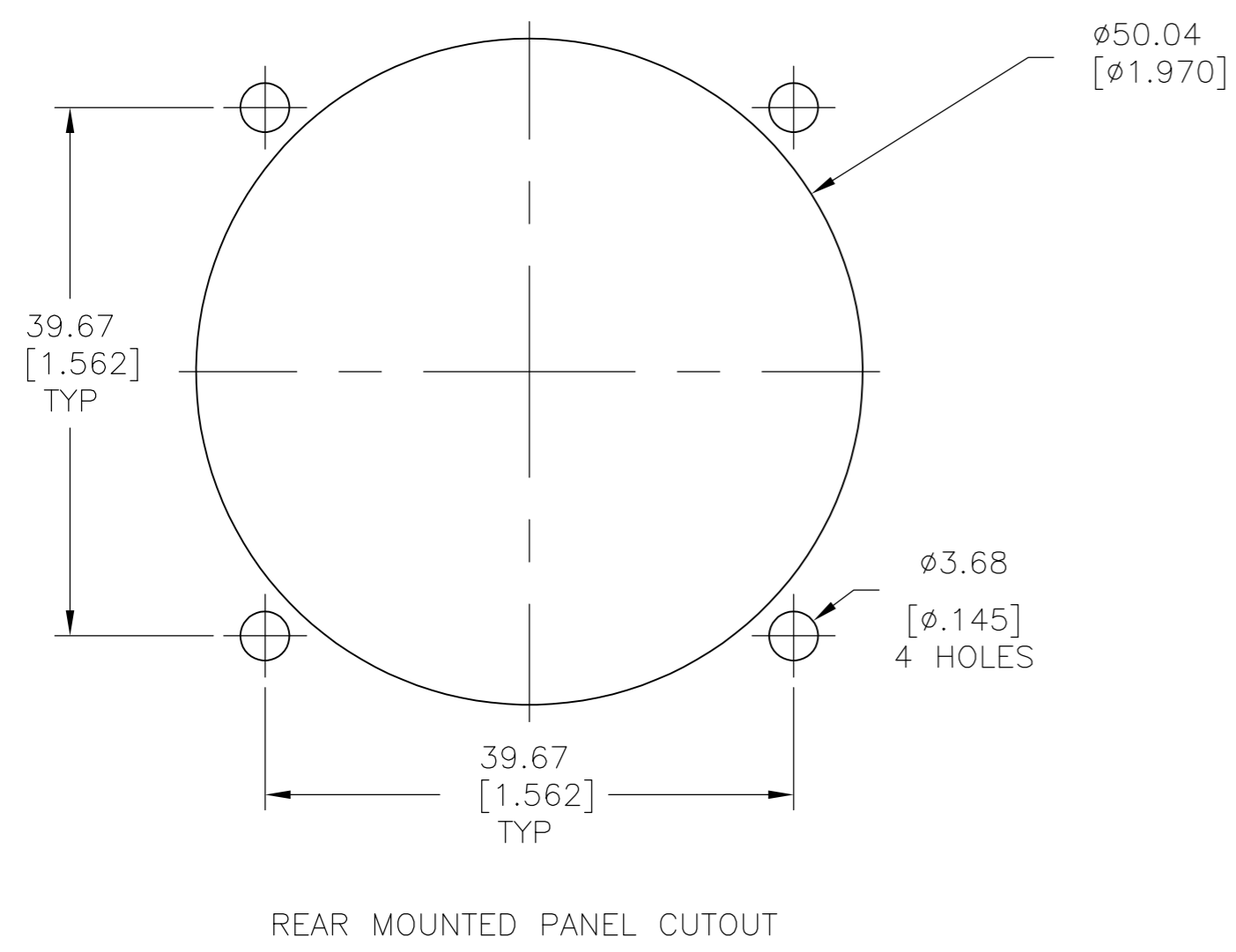


THIS DRAWING IS UNPUBLISHED. RELEASED FOR PUBLICATION
 © COPYRIGHT - By - ALL RIGHTS RESERVED.

LOC		DIST		REVISIONS			
P	LTR	DESCRIPTION		DATE	DWN	APVD	
BD	35	A		REVISED PER ECO-14-014457	24SEP2014	NK	MZ



- MATERIALS:
 METAL SHELL RECEPTACLE: ZINC ALLOY
 GROOVE PIN: STEEL
 RECEPTACLE: NYLON, BLACK
 CONTACT BODY: BRASS
 CONTACT SPRING: STAINLESS STEEL
 CONTACT POST: BRASS
- FINISHES:
 METAL SHELL RECEPTACLE: NICKEL PLATED
 GROOVE PIN: NICKEL PLATED
 CONTACT BODY: SELECT GOLD OVER NICKEL
 CONTACT POST: TIN OVER NICKEL



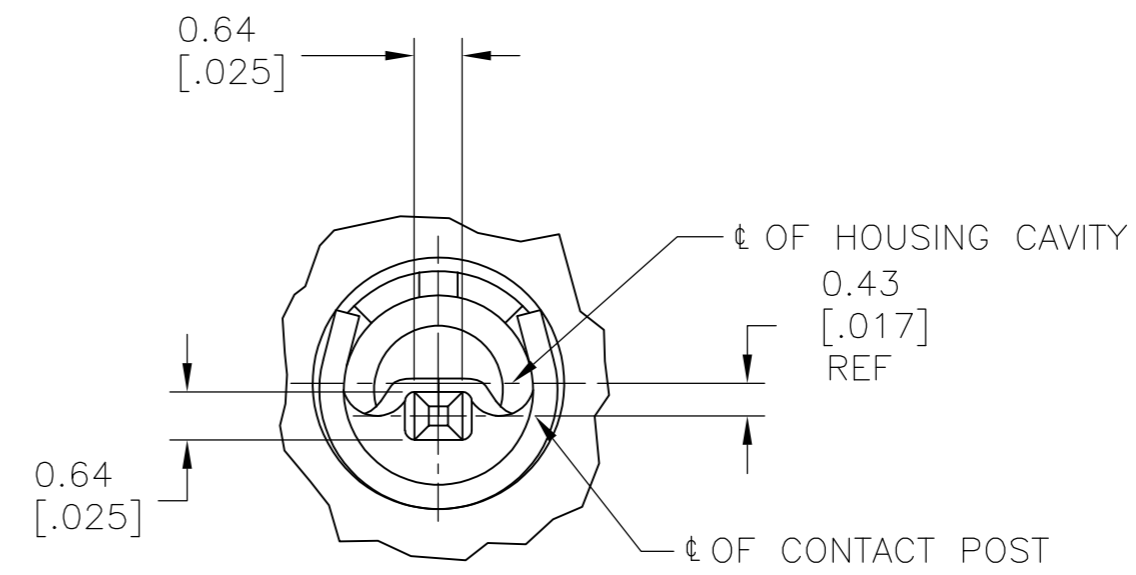
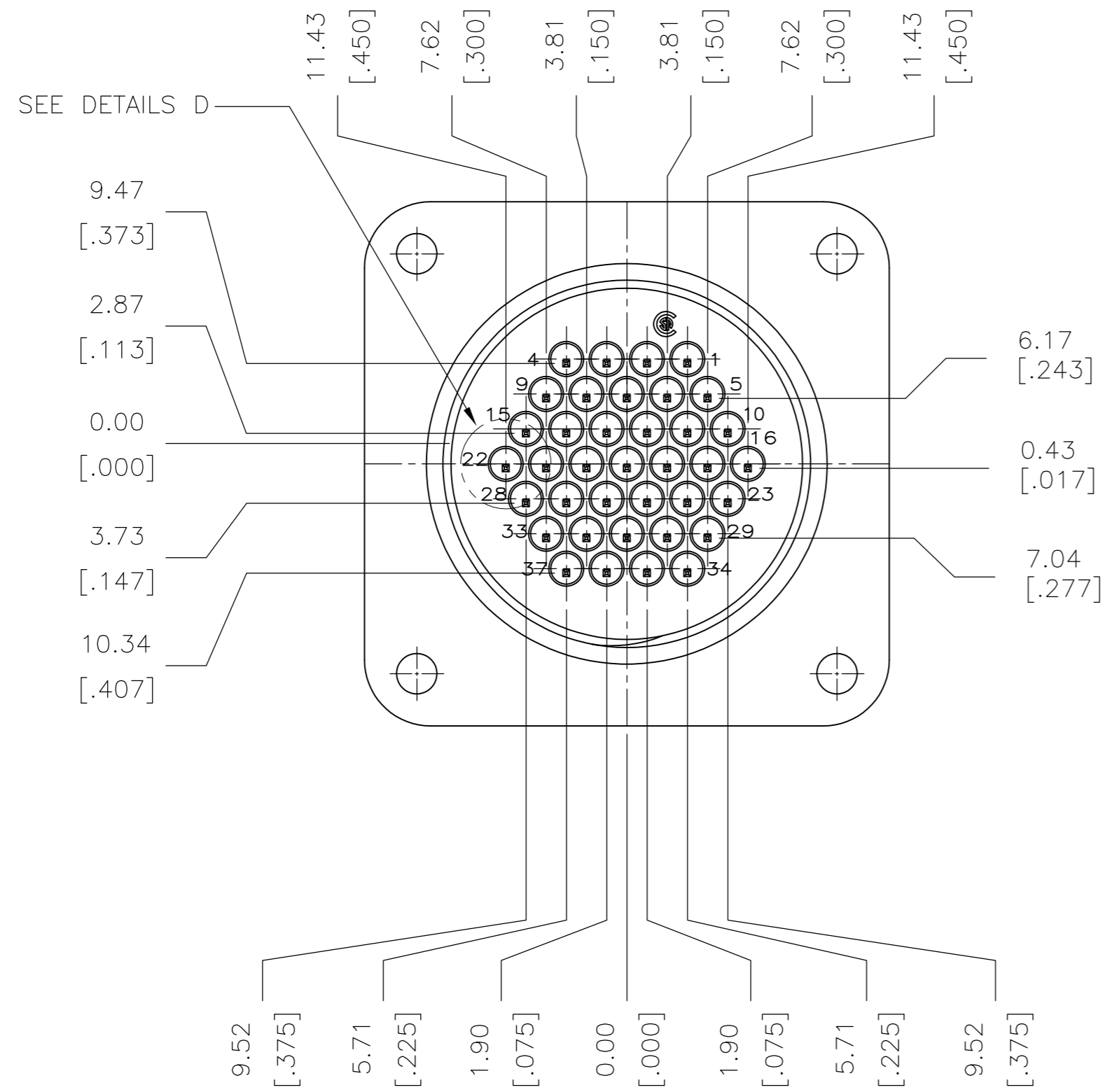
2267124-1
PART NUMBER

THIS DRAWING IS A CONTROLLED DOCUMENT.		DWN	07JUN2014	 TE Connectivity	NAME								
DIMENSIONS: mm [INCHES]		CHK	07JUN2014		ZITTO, MARK								
TOLERANCES UNLESS OTHERWISE SPECIFIED:		APVD	07JUN2014		ZITTO, MARK								
0 PLC ± - 1 PLC ± - 2 PLC ± 0.13[.005] 3 PLC ± - 4 PLC ± - ANGLES ± -		PRODUCT SPEC			108-10040								
MATERIAL		FINISH		WEIGHT	-	SIZE	A2	CAGE CODE	00779	DRAWING NO	C=2267124	RESTRICTED TO	-
CUSTOMER DRAWING				SCALE	2:1	SHEET	1 of 2	REV	A				

2267124

THIS DRAWING IS UNPUBLISHED. RELEASED FOR PUBLICATION
 © COPYRIGHT - By - ALL RIGHTS RESERVED.

LOC	DIST	REVISIONS			
P	LTR	DESCRIPTION	DATE	DWN	APVD
BD	35	SEE SHEET 1	-	-	-



THIS DRAWING IS A CONTROLLED DOCUMENT.		DWN 07JUN2014 NAGALAKSHMI K	STE TE Connectivity		
DIMENSIONS: mm [INCHES]		CHK 07JUN2014 ZITTO, MARK			
TOLERANCES UNLESS OTHERWISE SPECIFIED:		APVD 07JUN2014 ZITTO, MARK	NAME POSTED RECEPTACLE ASSEMBLY, REV SEX, SERIES 1, 28-37, CMC		
0 PLC ± - 1 PLC ± - 2 PLC ± 0.13[.005] 3 PLC ± - 4 PLC ± - ANGLES ± -		PRODUCT SPEC 108-10040	SIZE A2	CAGE CODE 00779	DRAWING NO C=2267124
MATERIAL -		FINISH -	WEIGHT -	SCALE 2:1	SHEET 2 OF 2
CUSTOMER DRAWING			RESTRICTED TO -	REV A	