

10

9

8

7

6

5

4

3

2

1

F

E

D

C

B

A

F

E

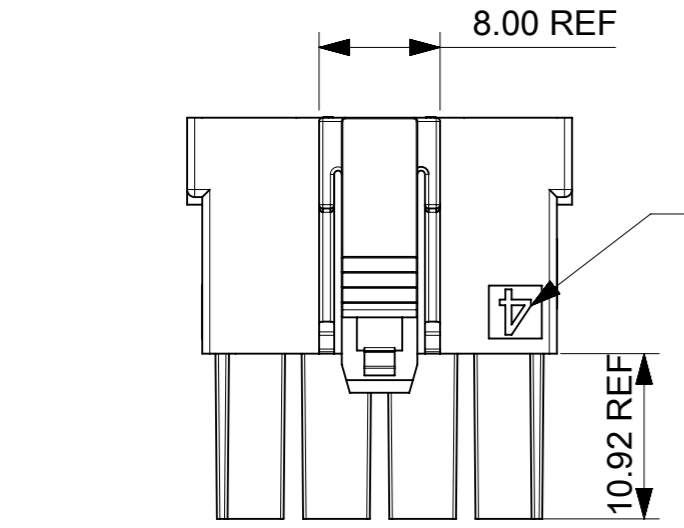
D

C

B

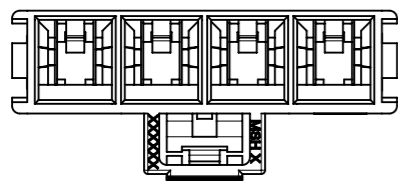
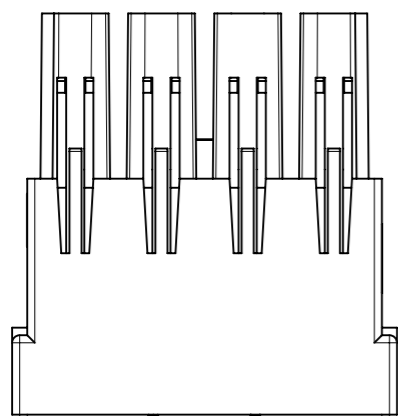
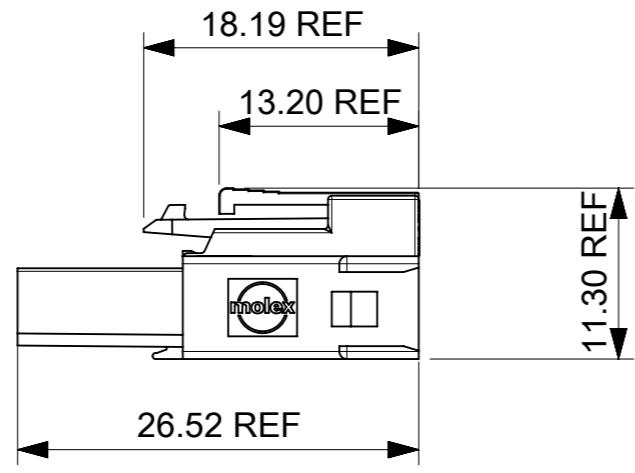
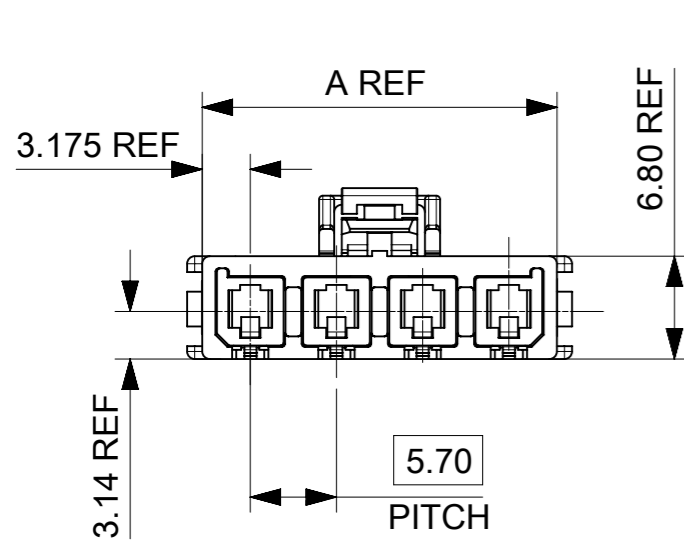
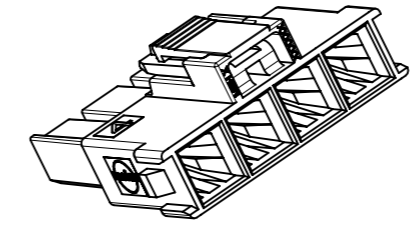
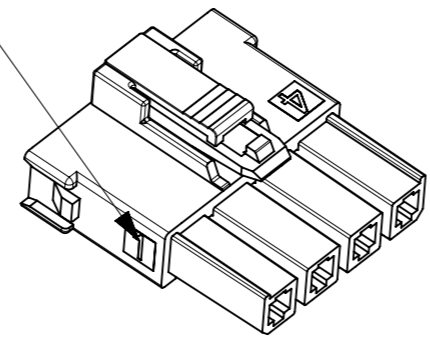
A

CKT NO.	COLOR	PART NUMBER	DIM-A
2	BLACK	2004561212	12.05
3		2004561213	17.75
4		2004561214	23.45
5		2004561215	29.15
6		2004561216	34.85
7		2004561217	40.55
8		2004561218	46.25



FIRST CKT INDICATOR

LAST CKT INDICATOR



NOTES:

- MATERIAL: NYLON, UL 94V-0 AND GLOW WIRE CAPABLE PER IEC60335-1, COLOR BLACK.
- FINISH: NOT APPLICABLE.
- PRODUCT SPECIFICATION: 1054171000-PS/1720631000-PS.
- PACKAGING: BULK PACK PER 2004561000.
- PART USED WITH MOLEX SERIES.
 TPA: 105415
 HEADER SERIES: 200241.
 TPA-CAPABLE FEMALE TERMINAL SERIES: 76823,172063.
 PLUG HOUSING: 213814,213815
- APPLICATION SPECIFICATION: 768232000-AS.
- PARTS CONFORM TO CLASS B REQUIREMENTS OF COSMETIC SPECIFICATION PS-45499-002 WITH THE EXCEPTION OF DISCOLORATION MEETS CLASS "C" REQUIREMENTS.

THIS DRAWING CONTAINS INFORMATION THAT IS PROPRIETARY TO MOLEX ELECTRONIC TECHNOLOGIES, LLC AND SHOULD NOT BE USED WITHOUT WRITTEN PERMISSION		CURRENT REV DESC:		molex	
DIMENSION UNITS	SCALE				
mm	NTS			MEGA-FIT REC HSG SR, TOP LATCH 2-8CKT	
GENERAL TOLERANCES (UNLESS SPECIFIED)				PRODUCT CUSTOMER DRAWING	
ANGULAR TOL	± 3.0 °			DOCUMENT NUMBER	
4 PLACES	±	EC NO: 688343		2004561000	
3 PLACES	±	DRWN: JUANY1	2021/12/08	DOC TYPE	DOC PART
2 PLACES	± 0.25	CHK'D: XQZHANG	2021/12/16	PSD	000
1 PLACE	± 0.35	APPR: XQZHANG	2021/12/16		D
0 PLACES	±	INITIAL REVISION:		REVISION	
DRAFT WHERE APPLICABLE MUST REMAIN WITHIN DIMENSIONS		DRWN: YXZHENG	2017/03/08		
		APPR: YXZHENG	2018/08/06		
THIRD ANGLE PROJECTION		DRAWING	SERIES	MATERIAL NUMBER	CUSTOMER
		A3-SIZE	200456		GENERAL MARKET
				SHEET NUMBER	
				1 OF 2	

9

8

7

6

5

4

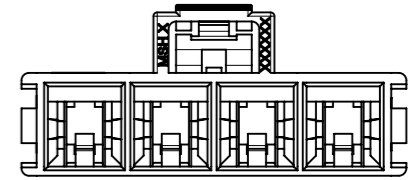
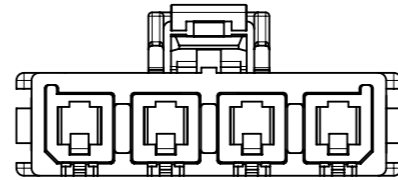
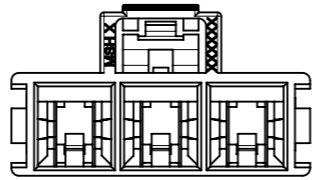
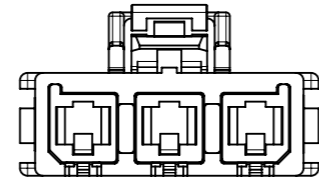
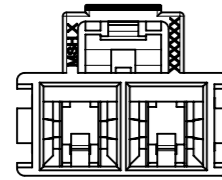
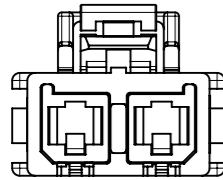
3

2

1

10 9 8 7 6 5 4 3 2 1

F

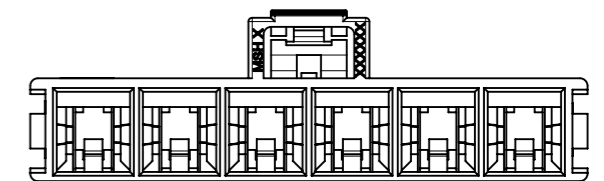
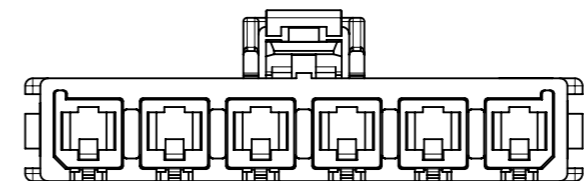
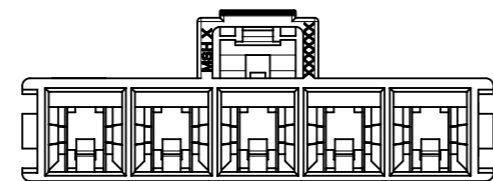
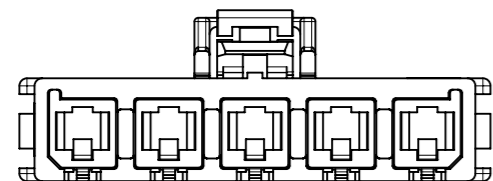


2CKT

3CKT

4CKT

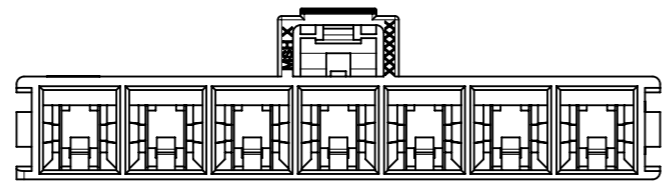
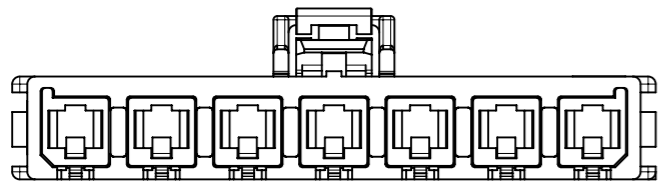
E



5CKT

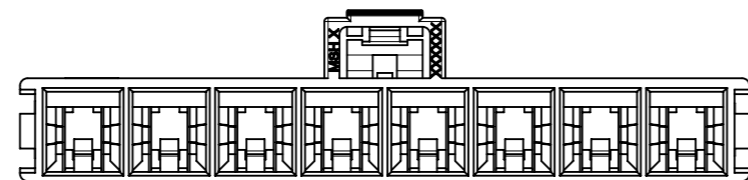
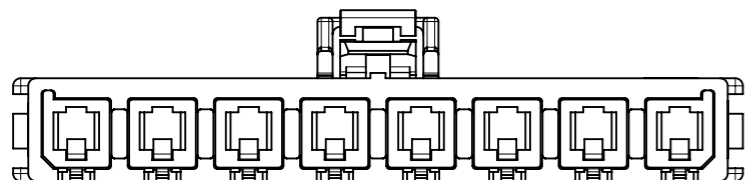
6CKT

D



7CKT

C



8CKT

B

A

THIS DRAWING CONTAINS INFORMATION THAT IS PROPRIETARY TO MOLEX ELECTRONIC TECHNOLOGIES, LLC AND SHOULD NOT BE USED WITHOUT WRITTEN PERMISSION									
DIMENSION UNITS		SCALE		CURRENT REV DESC:				molex	
mm		NTS							
GENERAL TOLERANCES (UNLESS SPECIFIED)				EC NO: 688343				MEGA-FIT REC HSG SR, TOP LATCH 2-8CKT	
ANGULAR TOL ± 3.0 °				DRWN: JUANY1 2021/12/16				PRODUCT CUSTOMER DRAWING	
4 PLACES ±				CHK'D: XQZHANG 2021/12/16				DOCUMENT NUMBER	
3 PLACES ±				APPR: XQZHANG 2021/12/16				2004561000	
2 PLACES ± 0.25				INITIAL REVISION:				DOC TYPE	
1 PLACE ± 0.35				DRWN: YXZHENG 2017/03/08				PSD	
0 PLACES ±				APPR: YXZHENG 2018/08/06				DOC PART	
DRAFT WHERE APPLICABLE MUST REMAIN WITHIN DIMENSIONS				THIRD ANGLE PROJECTION		DRAWING		REVISION	
				A3-SIZE		SERIES		000 D	
						MATERIAL NUMBER		SHEET NUMBER	
						200456		2 OF 2	
						CUSTOMER		GENERAL MARKET	

DOCUMENT STATUS	P1	RELEASE DATE	2021/12/16	06:22:53
-----------------	----	--------------	------------	----------

9 8 7 6 5 4 3 2 1