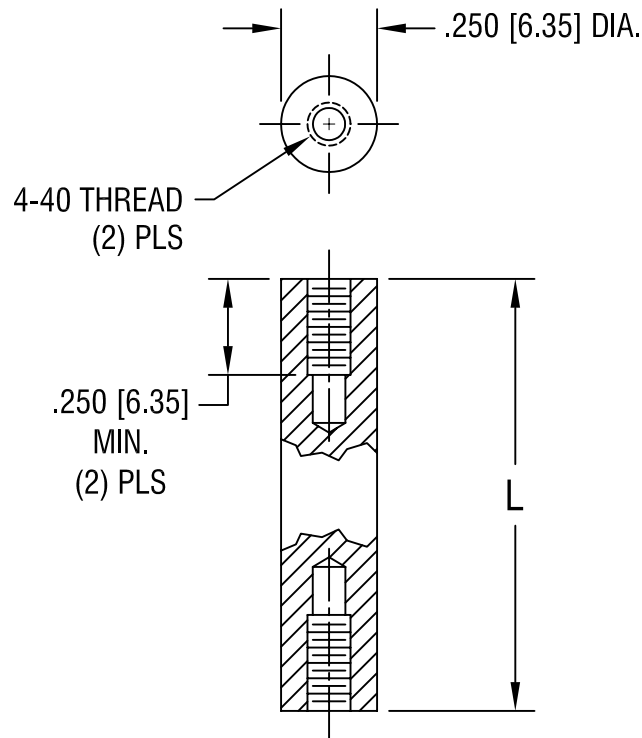


THIS DOCUMENT IS THE PROPERTY OF
KEYSTONE ELECTRONICS CORP. AND
SHALL NOT BE REPRODUCED, DISTRIBUTED
OR USED AS A BASIS FOR MANUFACTURE
WITHOUT PRIOR WRITTEN PERMISSION
FROM KEYSTONE ELECTRONICS CORP.



PART NO.	'L' DIM.
1877	1.500 [38.10]
1878	2.000 [50.80]

KEYSTONE ELECTRONICS CORP.			
ASTORIA, N.Y. 11105-2017			
PART NAME THREADED ROUND STANDOFF			
MATERIAL BRASS			
FINISH ZINC PLATE		DRN BY BOONE	DATE 3.13.98
		APP'D LN	SCALE 2X
TOLERANCES INCH [MM]		CODE	
DECIMAL $\pm .005$ [± 0.15]		DWG NO.	
ANGULAR $\pm 1^\circ$		1877-1878	
UNLESS OTHERWISE SPECIFIED		C/M	

DATE	DESCRIPTION	REV.
7.29.05	CHANGE AS PER ECN 05-053	A