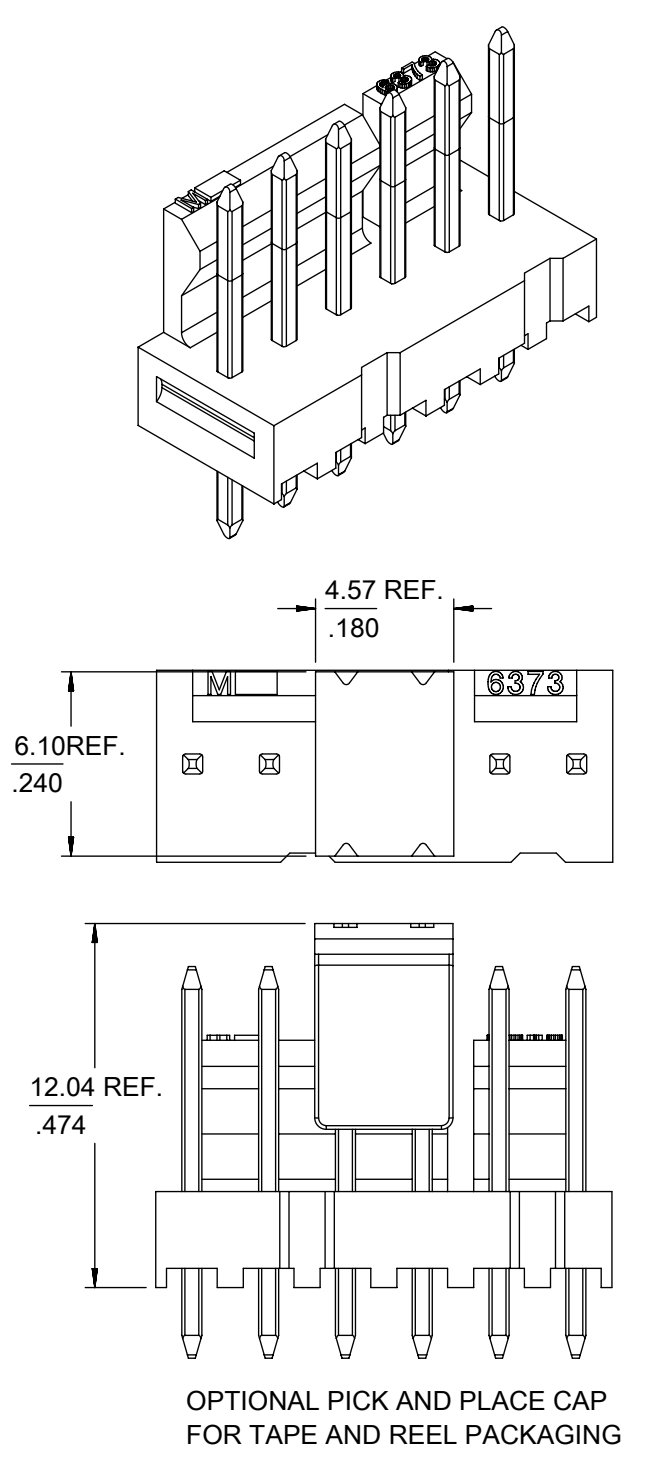
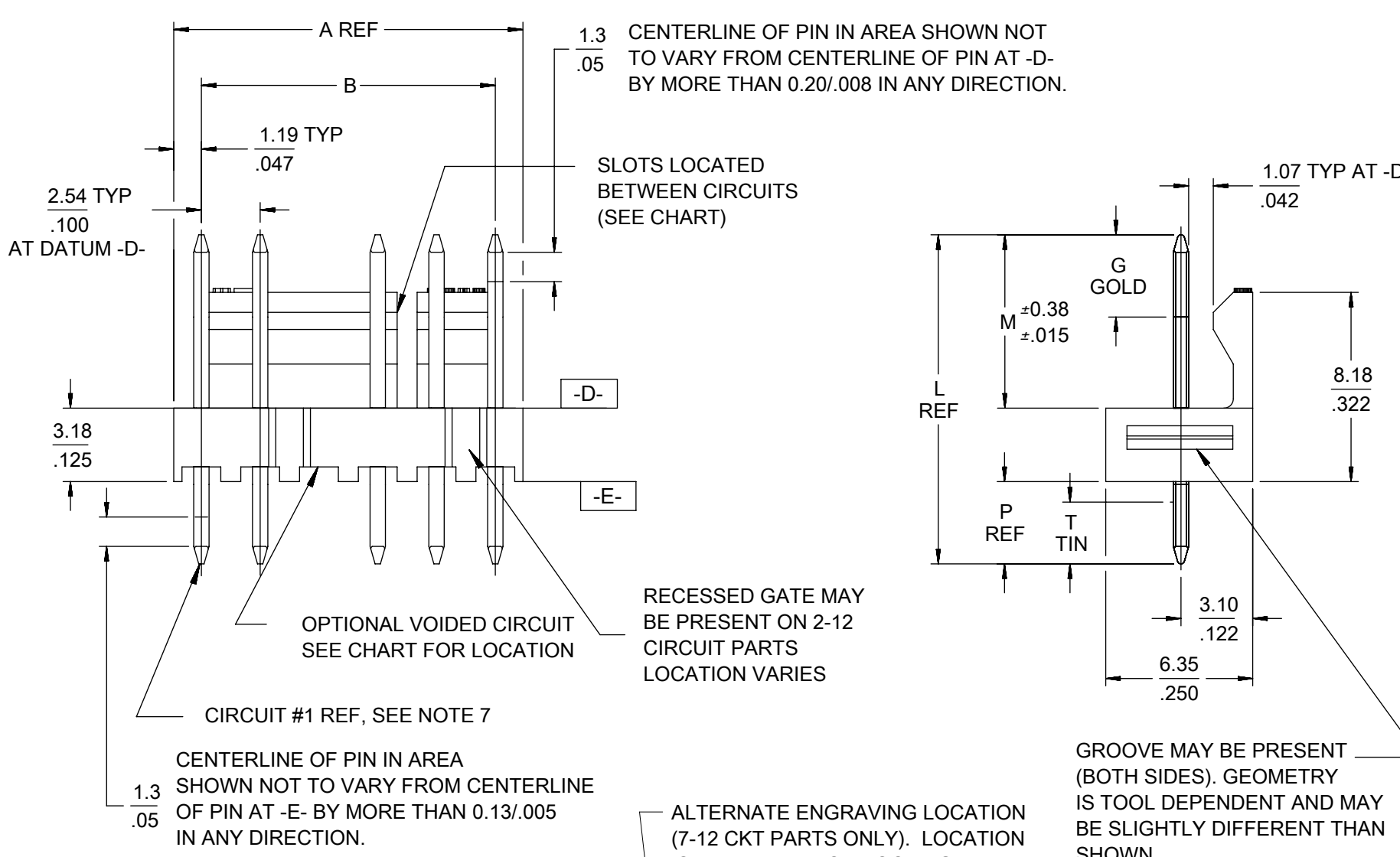
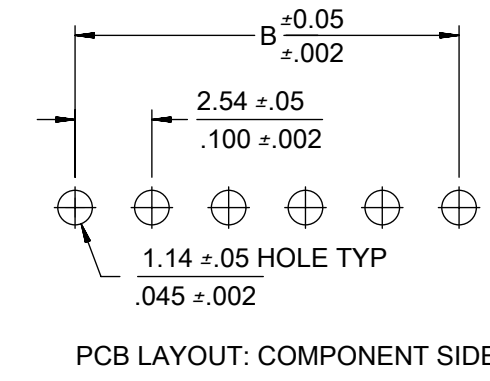
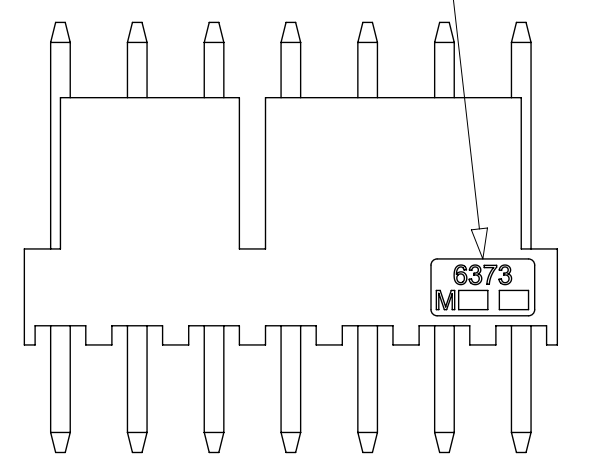


CKT	A	B	SLOTS LOCATION
02	$\frac{4.93}{.194}$	$\frac{2.54 \pm 0.05}{.100 \pm .002}$	NONE
03	$\frac{7.47}{.294}$	$\frac{5.08 \pm 0.10}{.200 \pm .004}$	NONE
04	$\frac{10.01}{.394}$	$\frac{7.62 \pm 0.15}{.300 \pm .006}$	NONE
05	$\frac{12.55}{.494}$	$\frac{10.16 \pm 0.15}{.400 \pm .006}$	NONE
06	$\frac{15.09}{.594}$	$\frac{12.70 \pm 0.18}{.500 \pm .007}$	4, 5
07	$\frac{17.63}{.694}$	$\frac{15.24 \pm 0.18}{.600 \pm .007}$	4, 5
08	$\frac{20.17}{.794}$	$\frac{17.78 \pm 0.20}{.700 \pm .008}$	4, 5
09	$\frac{22.71}{.894}$	$\frac{20.32 \pm 0.20}{.800 \pm .008}$	4, 5
10	$\frac{25.25}{.994}$	$\frac{22.86 \pm 0.23}{.900 \pm .009}$	4, 5
11	$\frac{27.79}{1.094}$	$\frac{25.40 \pm 0.23}{1.000 \pm .009}$	4, 5 8, 9
12	$\frac{30.33}{1.194}$	$\frac{27.94 \pm 0.25}{1.100 \pm .010}$	4, 5 8, 9



- NOTES:
- MATERIAL: HOUSING: NYLON, UL 94V-1, COLOR: BLACK  
PINS: BRASS
  - FINISH:  
(197) = OVERALL REFLOWED MATTE TIN: 0.00152/.000060 MIN  
OVER 0.00127/.000050 MIN NICKEL.  
(208) = SELECT GOLD: 0.00038/.000015 MIN,  
SELECT MATTE TIN: 0.00254/.000100 MIN,  
BOTH OVER 0.00127/.000050 MIN NICKEL.  
(228) = SELECT GOLD: 0.00076/.000030 MIN,  
SELECT MATTE TIN: 0.00254/.000100 MIN,  
BOTH OVER 0.00127/.000050 MIN NICKEL.
  - PRODUCT SPECIFICATION AND PROCESS PARAMETERS: PS-171856-0001,  
PS-171856-0002
  - PACKAGING INFORMATION: SEE CHART.
  - MATES WITH: 4455, 2695 SERIES.
  - PARTS ARE STACKABLE END TO END ON 2.54/.100 CENTERS.
  - CIRCUIT ONE DESIGNATION IS USED TO DEFINE VOID LOCATION. CIRCUIT ONE  
MAY OR MAY NOT LINE UP WITH CIRCUIT ONE ON THE MATING HOUSING.
  - PIN PUSHOUT FORCE: 2 LBS MIN.
  - THIS PART CONFORMS TO CLASS B REQUIREMENTS OF COSMETIC  
SPECIFICATION PS-45499-002.
  - THE PARTS LISTED ON THIS DRAWING ARE CONSTRUCTED TO MEET THE  
REQUIREMENT FOR DIRECT SUPPORT OF UNINSULATED LIVE PARTS AS  
DESCRIBED IN UL508C.



THIS DRAWING CONTAINS INFORMATION THAT IS PROPRIETARY TO MOLEX ELECTRONIC TECHNOLOGIES, LLC AND SHOULD NOT BE USED WITHOUT WRITTEN PERMISSION									
DIMENSION UNITS <b>MM/IN</b>		SCALE <b>4:1</b>		CURRENT REV DESC: ADDED NEW PN 1718566005					
GENERAL TOLERANCES (UNLESS SPECIFIED)				EC NO: 632912		2020/02/03			
4 PLACES ±		±		DRWN: MKP		2020/02/26			
3 PLACES ±		± 0.015		CHK'D: SS06		2020/02/27			
2 PLACES ±		± 0.25		APPR: ISHWARG		2020/02/27			
1 PLACE ±		± 0.38		INITIAL REVISION:		2012/11/09			
0 PLACES ±		±		DRWN: MKIPPER		2013/06/11			
ANGULAR TOL ± °		± °		APPR: FSMITH		2013/06/11			
DRAFT WHERE APPLICABLE MUST REMAIN WITHIN DIMENSIONS			THIRD ANGLE PROJECTION		DRAWING		SERIES		MATERIAL NUMBER
			B-SIZE		171856		SEE CHART		CUSTOMER
					GENERAL MARKET		1 OF 5		

**molex**

KK RPC .100 HEADER  
ASSEMBLY FRICTION LOCK SOLID BODY

PRODUCT CUSTOMER DRAWING

DOCUMENT NUMBER: **SD-171856-0001** DOC TYPE: PSD DOC PART: 000 REVISION: B3

10		9			8	
GROUP:		171856-0002/-0012				
PLATING:		197				
PIN LENGTH: (L)		12.95 / .510				
MATING: (M)		7.44 / .293				
DIM. G:		N/A				
PC TAIL: (P)		2.34 / .092				
DIM T:		OVERALL				
PACKAGING:		PK-6373-001 BULK				
CKTS	MATERIAL NUMBER	CKTS	MATERIAL NUMBER	VOID CKT		
2	171856-0002					
3	171856-0003					
4	171856-0004					
5	171856-0005					
6	171856-0006					
7	171856-0007					
8	171856-0008					
9	171856-0009					
10	171856-0010					
11	171856-0011					
12	171856-0012					

7		6				
GROUP:		171856-1002/-1012				
PLATING:		208				
PIN LENGTH: (L)		12.95 / .510				
MATING: (M)		7.44 / .293				
DIM. G:		3.56 / .140				
PC TAIL: (P)		2.34 / .092				
DIM T:		3.43 / .135				
PACKAGING:		PK-6373-001 BULK				
CKTS	MATERIAL NUMBER	CKTS	MATERIAL NUMBER	VOID CKT		
2	171856-1002					
3	171856-1003					
4	171856-1004					
5	171856-1005					
6	171856-1006					
7	171856-1007					
8	171856-1008					
9	171856-1009					
10	171856-1010					
11	171856-1011					
12	171856-1012					

5		4			3		2		1	
GROUP:		171856-2002/-2012								
PLATING:		228								
PIN LENGTH: (L)		12.95 / .510								
MATING: (M)		7.44 / .293								
DIM. G:		3.56 / .140								
PC TAIL: (P)		2.34 / .092								
DIM T:		3.43 / .135								
PACKAGING:		PK-6373-001 BULK								
CKTS	MATERIAL NUMBER	CKTS	MATERIAL NUMBER	VOID CKT						
2	171856-2002									
3	171856-2003									
4	171856-2004									
5	171856-2005									
6	171856-2006									
7	171856-2007									
8	171856-2008									
9	171856-2009									
10	171856-2010									
11	171856-2011									
12	171856-2012									

THIS DRAWING CONTAINS INFORMATION THAT IS PROPRIETARY TO MOLEX ELECTRONIC TECHNOLOGIES, LLC AND SHOULD NOT BE USED WITHOUT WRITTEN PERMISSION

DIMENSION UNITS	SCALE	CURRENT REV DESC: ADDED NEW PN 1718566005	
MM/IN	1:1		
GENERAL TOLERANCES (UNLESS SPECIFIED)			
	MM	INCH	
4 PLACES ±			
3 PLACES ±	0.25	± 0.015	
2 PLACES ±	0.25	± 0.01	
1 PLACE ±	0.38		
0 PLACES ±			
ANGULAR TOL ± °			
DRAFT WHERE APPLICABLE MUST REMAIN WITHIN DIMENSIONS		THIRD ANGLE PROJECTION	DRAWING
			B-SIZE
		SERIES	171856
DOCUMENT STATUS		DOCUMENT NUMBER	CUSTOMER
P1	RELEASE DATE	SD-171856-0001	GENERAL MARKET
2020/02/27	10:16:56	DOC TYPE	SHEET NUMBER
		PSD	000 B3
		DOC PART	2 OF 5
		REVISION	

EC NO: 632912  
 DRWN: MKP 2020/02/03  
 CHK'D: SS06 2020/02/26  
 APPR: ISHWARG 2020/02/27

INITIAL REVISION:  
 DRWN: MKIPPER 2012/11/09  
 APPR: FSMITH 2013/06/11

**molex**  
 KK RPC .100 HEADER  
 ASSEMBLY FRICTION LOCK SOLID BODY

PRODUCT CUSTOMER DRAWING

10		9			8	
GROUP:		171856-0102/-0112				
PLATING:		197				
PIN LENGTH: (L)		14.22 / .560				
MATING: (M)		7.49 / .295				
DIM. G:		N/A				
PC TAIL: (P)		3.56 / .140				
DIM T:		OVERALL				
PACKAGING:		PK-6373-001 BULK				
CKTS	MATERIAL NUMBER	CKTS	MATERIAL NUMBER	VOID CKT		
2	171856-0102					
3	171856-0103					
4	171856-0104					
5	171856-0105					
6	171856-0106					
7	171856-0107					
8	171856-0108					
9	171856-0109					
10	171856-0110					
11	171856-0111					
12	171856-0112					

7		6				
GROUP:		171856-1102/-1112				
PLATING:		208				
PIN LENGTH: (L)		14.22 / .560				
MATING: (M)		7.49 / .295				
DIM. G:		3.56 / .140				
PC TAIL: (P)		3.56 / .140				
DIM T:		3.43 / .135				
PACKAGING:		PK-6373-001 BULK				
CKTS	MATERIAL NUMBER	CKTS	MATERIAL NUMBER	VOID CKT		
2	171856-1102					
3	171856-1103					
4	171856-1104					
5	171856-1105					
6	171856-1106					
7	171856-1107					
8	171856-1108					
9	171856-1109					
10	171856-1110					
11	171856-1111					
12	171856-1112					

5		4				
GROUP:						
PLATING:						
PIN LENGTH: (L)						
MATING: (M)						
DIM. G:						
PC TAIL: (P)						
DIM T:						
PACKAGING:						
CKTS	MATERIAL NUMBER	CKTS	MATERIAL NUMBER	VOID CKT		
2						
3						
4						
5						
6						
7						
8						
9						
10						
11						
12						

THIS DRAWING CONTAINS INFORMATION THAT IS PROPRIETARY TO MOLEX ELECTRONIC TECHNOLOGIES, LLC AND SHOULD NOT BE USED WITHOUT WRITTEN PERMISSION											
DIMENSION UNITS		SCALE		CURRENT REV DESC: ADDED NEW PN				<b>molex</b>		KK RPC .100 HEADER ASSEMBLY FRICTION LOCK SOLID BODY	
MM/IN		1:1		1718566005							
GENERAL TOLERANCES (UNLESS SPECIFIED)											
		MM	INCH	EC NO: 632912							
4 PLACES		±	±	DRWN: MKP				2020/02/03			
3 PLACES		±	± 0.015	CHK'D: SS06				2020/02/26			
2 PLACES		± 0.25	± 0.01	APPR: ISHWARG				2020/02/27			
1 PLACE		± 0.38	±	INITIAL REVISION:							
0 PLACES		±	±	DRWN: MKIPPER				2012/11/09		DOCUMENT NUMBER	
ANGULAR TOL		± °		APPR: FSMITH				2013/06/11		SD-171856-0001	
DRAFT WHERE APPLICABLE MUST REMAIN WITHIN DIMENSIONS		THIRD ANGLE PROJECTION		DRAWING		SERIES		MATERIAL NUMBER		CUSTOMER	
				B-SIZE		171856		SEE CHART		GENERAL MARKET	
										SHEET NUMBER	
										3 OF 5	

10					9					8					7					6					5					4					3					2					1				
GROUP:					171856-3002/-3012					GROUP:					171856-4002/-4012					GROUP:					171856-5002/-5012					GROUP:					171856-6002/-6012														
PLATING:					197					PLATING:					208					PLATING:					208					PLATING:					228														
PIN LENGTH: (L)					12.95 / .510					PIN LENGTH: (L)					12.95 / .510					PIN LENGTH: (L)					14.22 / .560					PIN LENGTH: (L)					12.95 / .510														
MATING: (M)					7.44 / .293					MATING: (M)					7.44 / .293					MATING: (M)					7.49 / .295					MATING: (M)					7.44 / .293														
DIM. G:					N/A					DIM. G:					3.56 / .140					DIM. G:					3.56 / .140					DIM. G:					3.56 / .140														
PC TAIL: (P)					2.34 / .092					PC TAIL: (P)					2.34 / .092					PC TAIL: (P)					3.56 / .140					PC TAIL: (P)					2.34 / .092														
DIM T:					OVERALL					DIM T:					3.43 / .135					DIM T:					3.43 / .135					DIM T:					3.43 / .135														
PACKAGING:					PK-171856-0001 TAPE AND REEL W/CAP					PACKAGING:					PK-171856-0001 TAPE AND REEL W/CAP					PACKAGING:					1718561000-PK TAPE AND REEL W/O CAP					PACKAGING:					PK-171856-0001 TAPE AND REEL W/CAP														
CKTS	MATERIAL NUMBER				CKTS	MATERIAL NUMBER				VOID CKT	CKTS	MATERIAL NUMBER				CKTS	MATERIAL NUMBER				VOID CKT	CKTS	MATERIAL NUMBER				CKTS	MATERIAL NUMBER				VOID CKT	CKTS	MATERIAL NUMBER				VOID CKT											
2	171856-3002										2	171856-4002										4	171856-5004										5	171856-6005															
3	171856-3003										3	171856-4003																																					
4	171856-3004										4	171856-4004																																					
5	171856-3005										5	171856-4005																																					
6	171856-3006										6	171856-4006																																					
7	171856-3007										7	171856-4007																																					
8	171856-3008										8	171856-4008										8	171856-5008																										
9	171856-3009										9	171856-4009																																					
10	171856-3010										10	171856-4010																																					
11	171856-3011										11	171856-4011																																					
12	171856-3012										12	171856-4012																																					

DOCUMENT STATUS		P1	RELEASE DATE	2020/02/27	10:16:56
-----------------	--	----	--------------	------------	----------


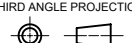
THIS DRAWING CONTAINS INFORMATION THAT IS PROPRIETARY TO MOLEX ELECTRONIC TECHNOLOGIES, LLC AND SHOULD NOT BE USED WITHOUT WRITTEN PERMISSION

DIMENSION UNITS	SCALE	CURRENT REV DESC: ADDED NEW PN 1718566005		
MM/IN	1:1	<p><b>molex</b></p> <p>KK RPC .100 HEADER ASSEMBLY FRICTION LOCK SOLID BODY</p> <p>PRODUCT CUSTOMER DRAWING</p>		
GENERAL TOLERANCES (UNLESS SPECIFIED)				
	MM INCH			
4 PLACES ±	±			
3 PLACES ±	± 0.015			
2 PLACES ±	± 0.25 ± 0.01			
1 PLACE ±	± 0.38 ±	EC NO: 632912	2020/02/03	
0 PLACES ±	±	DRWN: MKP	2020/02/26	
ANGULAR TOL	± °	CHK'D: SS06	2020/02/27	
DRAFT WHERE APPLICABLE MUST REMAIN WITHIN DIMENSIONS		APPR: ISHWARG	2020/02/27	
THIRD ANGLE PROJECTION		INITIAL REVISION:		
DRAWING		DRWN: MKIPPER	2012/11/09	
SERIES		APPR: FSMITH	2013/06/11	
MATERIAL NUMBER		DOCUMENT NUMBER	DOC TYPE	
B-SIZE	171856	SD-171856-0001	PSD	
CUSTOMER		DOC PART	REVISION	
GENERAL MARKET		000	B3	
SHEET NUMBER				
4 OF 5				

10		9			8	7		6	5		4	3	2	1
GROUP:		171856-9999												
PLATING:		197												
PIN LENGTH: (L)		12.95 / .510												
MATING: (M)		7.44 / .293												
DIM. G:		N/A												
PC TAIL: (P)		2.34 / .092												
DIM T:		OVERALL												
PACKAGING:		PK-44743-001 TUBE												
CKTS	MATERIAL NUMBER	CKTS	MATERIAL NUMBER	VOID CKT										
		10	171856-9999	2,3,5,6,8,9										

10		9			8	7		6	5		4	3	2	1
GROUP:		171856-9998												
PLATING:		197												
PIN LENGTH: (L)		12.19 / .480												
MATING: (M)		7.42 / .292												
DIM. G:		N/A												
PC TAIL: (P)		.60 / .063												
DIM T:		OVERALL												
PACKAGING:		PK-6373-001 BULK												
CKTS	MATERIAL NUMBER	CKTS	MATERIAL NUMBER	VOID CKT										
2	171856-9998													

10		9			8	7		6	5		4	3	2	1
GROUP:		171856-9998												
PLATING:		197												
PIN LENGTH: (L)		12.19 / .480												
MATING: (M)		7.42 / .292												
DIM. G:		N/A												
PC TAIL: (P)		.60 / .063												
DIM T:		OVERALL												
PACKAGING:		PK-6373-001 BULK												
CKTS	MATERIAL NUMBER	CKTS	MATERIAL NUMBER	VOID CKT										

THIS DRAWING CONTAINS INFORMATION THAT IS PROPRIETARY TO MOLEX ELECTRONIC TECHNOLOGIES, LLC AND SHOULD NOT BE USED WITHOUT WRITTEN PERMISSION																			
DIMENSION UNITS <b>MM/IN</b>		SCALE <b>1:1</b>		CURRENT REV DESC: ADDED NEW PN 1718566005			 <b>KK RPC .100 HEADER</b> ASSEMBLY FRICTION LOCK SOLID BODY												
GENERAL TOLERANCES (UNLESS SPECIFIED)				EC NO: 632912											PRODUCT CUSTOMER DRAWING				
4 PLACES ±		±		DRWN: MKP 2020/02/03											DOCUMENT NUMBER				
3 PLACES ±		± 0.015		CHK'D: SS06 2020/02/26											SD-171856-0001				
2 PLACES ±		± 0.25		± 0.01		APPR: ISHWARG 2020/02/27			DOC TYPE		DOC PART		REVISION						
1 PLACE ±		± 0.38		±		INITIAL REVISION:			PSD		000		B3						
0 PLACES ±		±		±		DRWN: MKIPPER 2012/11/09			GENERAL MARKET		SEE CHART		SHEET NUMBER						
ANGULAR TOL ± °		± °		± °		APPR: FSMITH 2013/06/11			CUSTOMER		GENERAL MARKET		5 OF 5						
DRAFT WHERE APPLICABLE MUST REMAIN WITHIN DIMENSIONS				THIRD ANGLE PROJECTION 		DRAWING <b>B-SIZE</b>		SERIES <b>171856</b>		MATERIAL NUMBER		CUSTOMER		SHEET NUMBER					

DOCUMENT STATUS	P1	RELEASE DATE	2020/02/27	10:16:56
-----------------	----	--------------	------------	----------