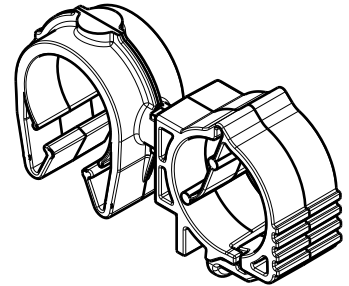
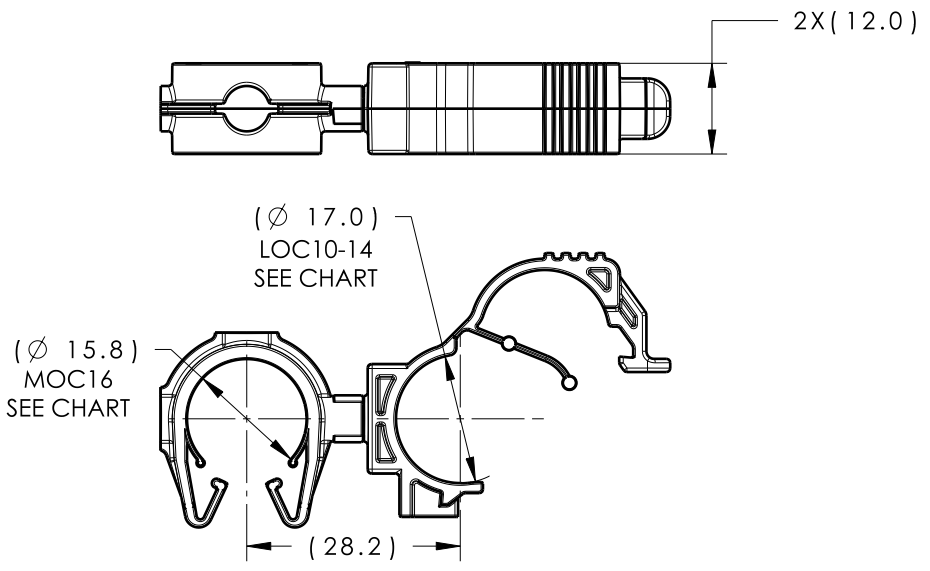
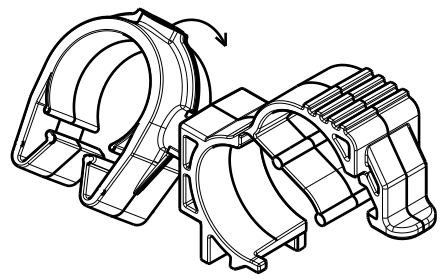


Revision Level			Revision Record	Changed	Date	Approved	Date
Drawing	State	Part					
02.1	Design Release		SEE ECN# 014632	TAT	9/7/18	EJH	9/7/18



ISOMETRIC VIEW
CLOSED

CLIPS ROTATE
360 DEGREES


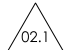


ISOMETRIC VIEW
OPEN

TYPE	MOC16F
HARNESS	14.0MM-17.0MM
HOSE	14.0MM-17.0MM
HARD PIPE/TUBE	15.9MM-18.3MM

*RECOMMENDED SIZES MAY DIFFER DEPENDING ON THE APPLICATION , PRODUCT REQUIREMENTS AND MATERIALS USED

**PATENT PENDING 29/582,271  02.1

GLOBAL PART DESCRIPTION		MOC16**			LOC10-14			Scale
		DRAWING	MATERIAL	COLOR	DRAWING	MATERIAL	COLOR	
MOC16FLOC10-14-PA66HIRHSUV-BK		16-0321-000-CSU	PA66HIRHSUV	BLACK	11-0594-031-CSU	PA66HIRHSUV	BLACK	1:1
Material SEE CHART COLOR: SEE CHART	Units millimeters Tolerance defined on each dimension	The copyright of this drawing is reserved by HellermannTyton. It is issued on condition that it is not reproduced, copied or disclosed to a third party, either wholly or in part, without the consent of HellermannTyton.	Drawn	TAT	5/19/17	Article/Type-No MOC16FLOC10-14		Project Number
			Approved	EJH	5/22/17	Title 16MM MOC COUPLED TO 10-14MM LOC		16-0327
			 North America Email: corp@htamericas.com Web: www.hellermann.tyton.com			Drawing-No	PRODUCTION : Phase	Format
						16-0327-162-CSU 		Sheet