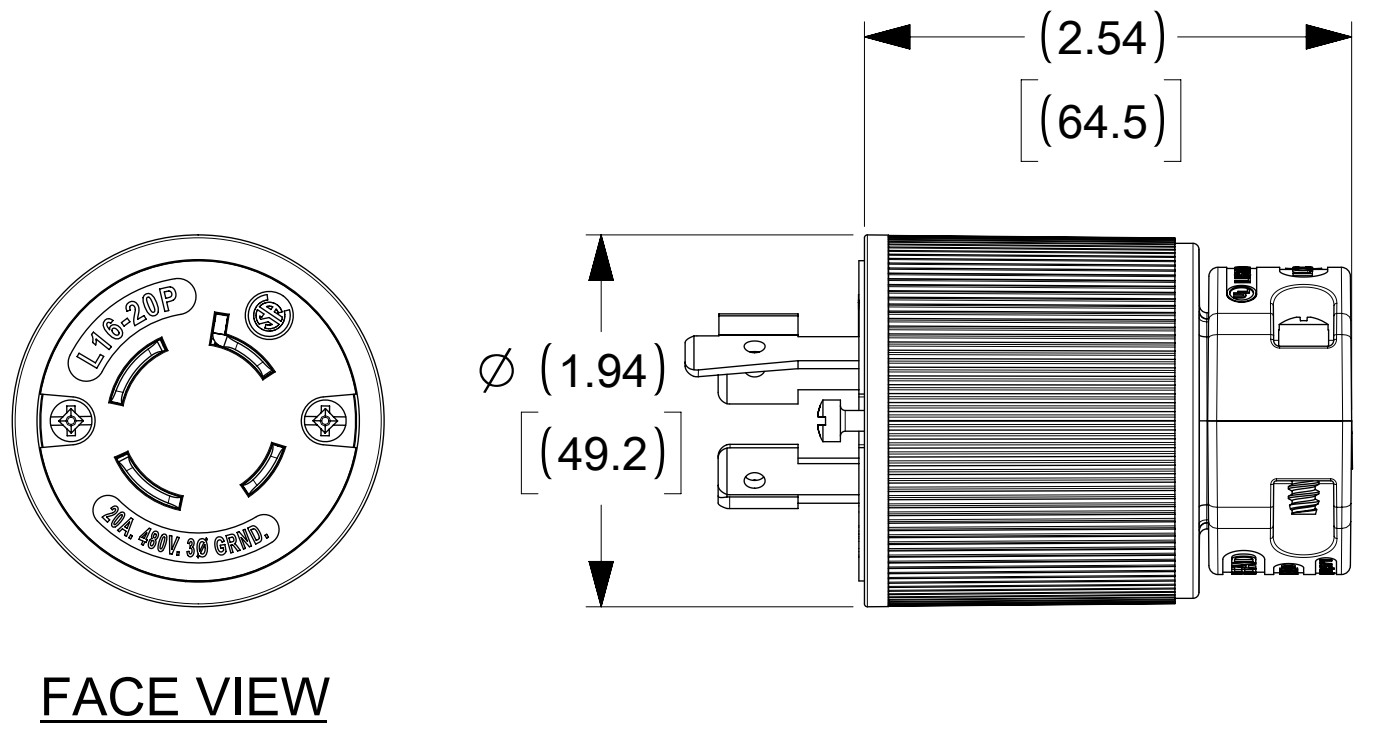
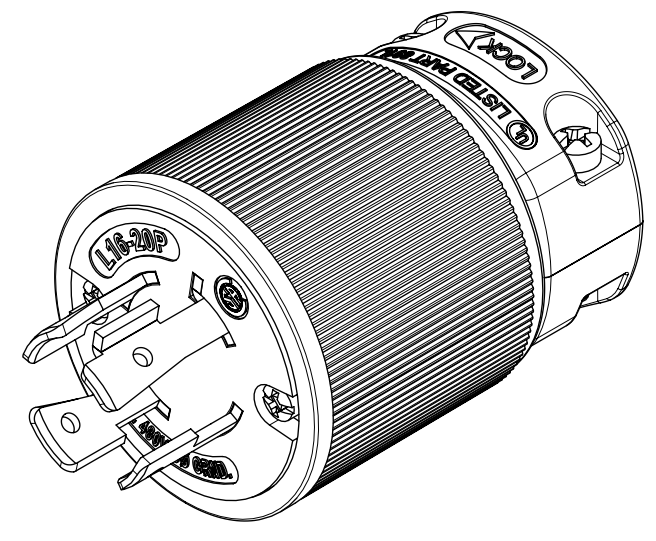
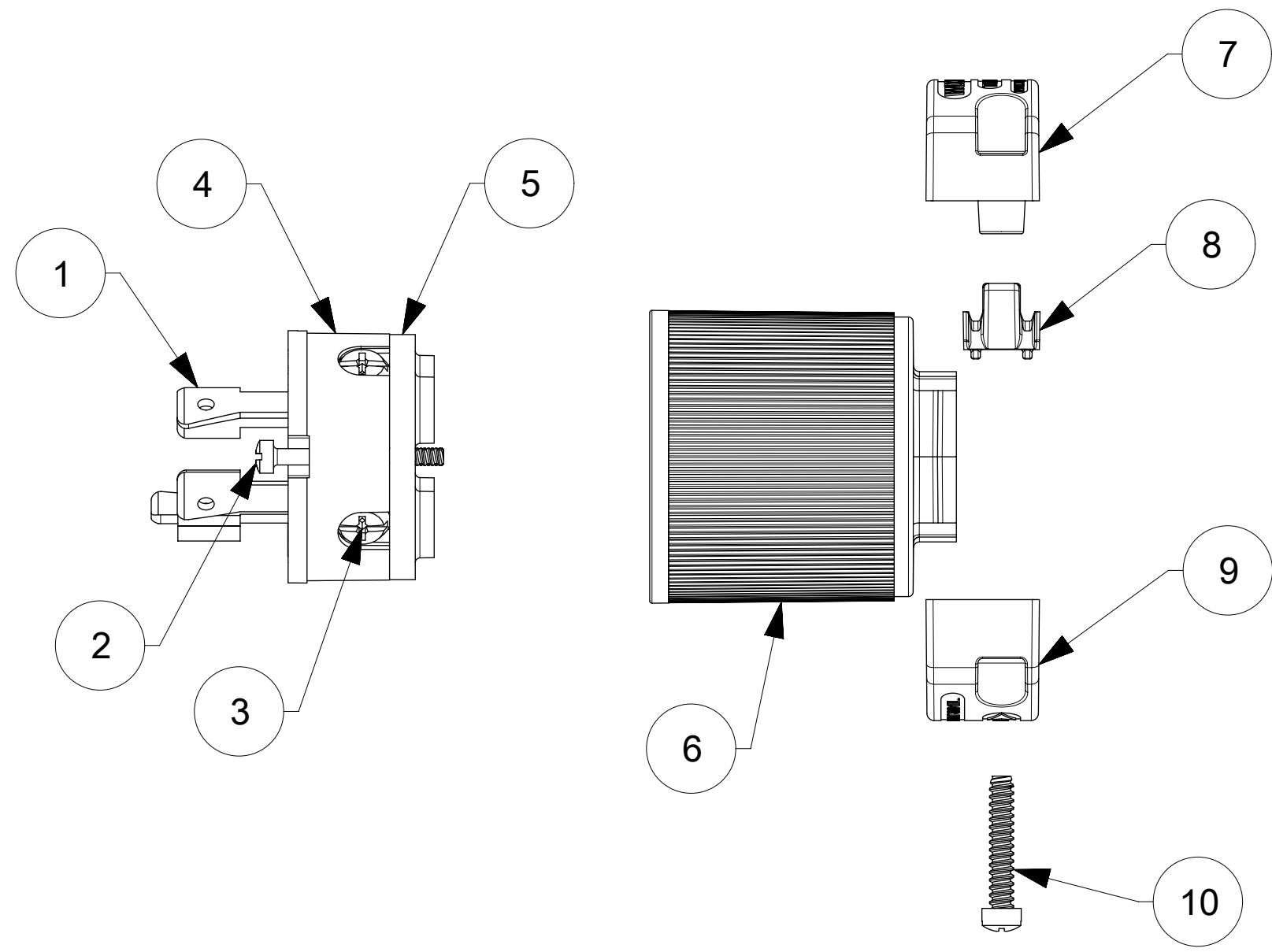
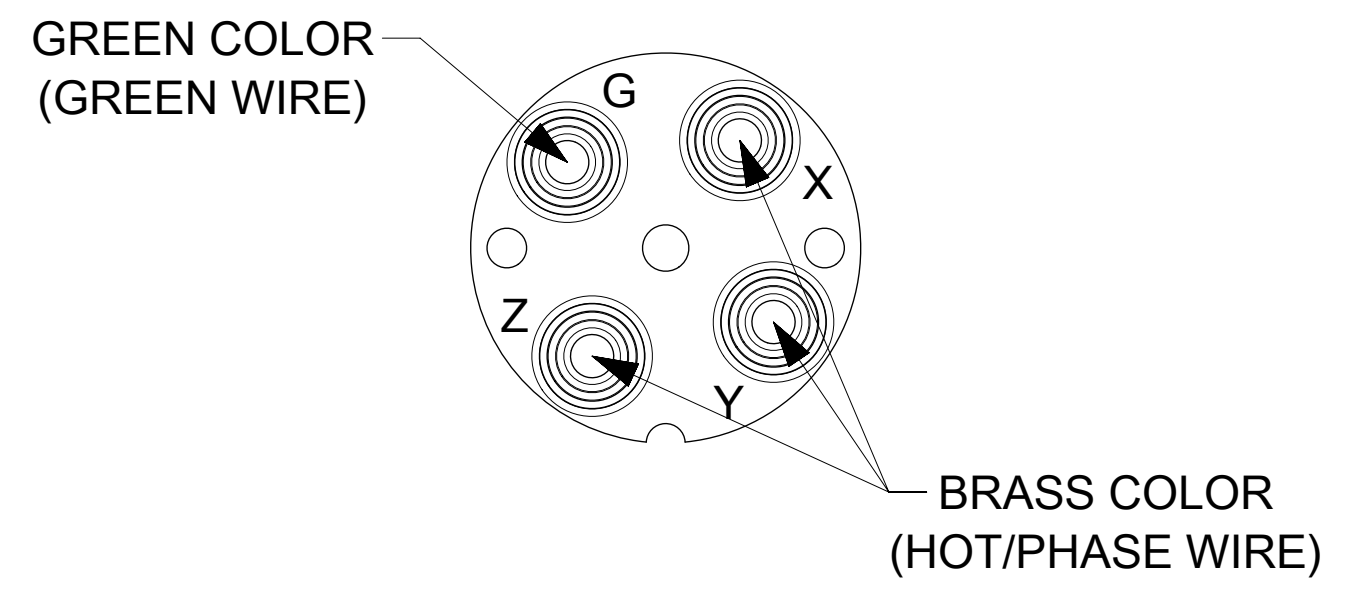


ORDER NO.	WOODHEAD NO.	COLOR
130145-0019	26T76	BLACK
130145-0020	26T76YL	YELLOW



WIRING TERMINATION



ITEM NO.	DESCRIPTIONS	MATERIAL	QTY.
1	BLADES	BRASS, NICKEL PLATED	4
2	RETAINING SCREWS	STAINLESS STEEL	2
3	TERMINAL SCREWS/CLAMP ASSEMBLY	BRASS, ZINC PLATED	4
4	INSERT	NYLON	1
5	TERMINAL COVER	POLYCARBONATE	1
6	HOUSING	NYLON	1
7	CLAMP CORD MALE	NYLON	1
8	CLAMP CORD INSERT	NYLON	1
9	CLAMP CORD FEMALE	NYLON	1
10	RETAINING SCREWS	STAINLESS STEEL	2

SYMBOLS DIMENSION UNITS: INCH[MM] SCALE: NTS GENERAL TOLERANCES (UNLESS SPECIFIED): 4 PLACES ± 3 PLACES ± 2 PLACES ± 1 PLACE ± 0 PLACES ± ANGULAR TOL ± ° DRAFT WHERE APPLICABLE MUST REMAIN WITHIN DIMENSIONS		THIS DRAWING CONTAINS INFORMATION THAT IS PROPRIETARY TO MOLEX ELECTRONIC TECHNOLOGIES, LLC AND SHOULD NOT BE USED WITHOUT WRITTEN PERMISSION CURRENT REV DESC: NEW RELEASE EC NO: 621329 DRWN: VBASUTHKARP 2019/02/14 CHK'D: VBASUTHKARP 2020/01/17 APPR: HKNEELAND 2020/08/27 INITIAL REVISION: DRWN: VBASUTHKARP 2019/02/14 APPR: HKNEELAND 2020/08/27 THIRD ANGLE PROJECTION DRAWING SERIES: C-SIZE 130145		molex SAFEWAY PLUG TURNEX 3P4W L16-20 PRODUCT CUSTOMER DRAWING DOCUMENT NUMBER: 1301450019 DOC TYPE: PSD DOC PART: 000 REVISION: A MATERIAL NUMBER: SEE TABLE CUSTOMER: GENERAL MARKET SHEET NUMBER: 1 OF 1		
---	--	--	--	---	--	--