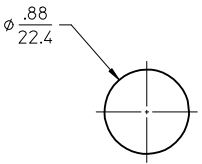
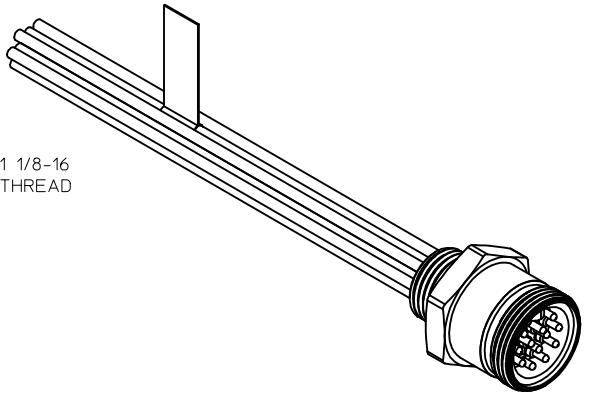
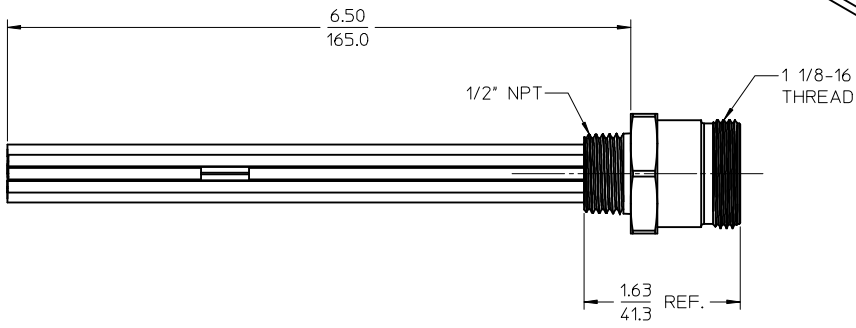


MATERIAL NO.	ENGINEERING NO.	LENGTH
1300150076	3R2006A20A120	12' +.75-0 [305mm +19.0-0]
1300150082	3R2006A20F060	6'0' +2.19-0 [ 1.8M +55.6-0]



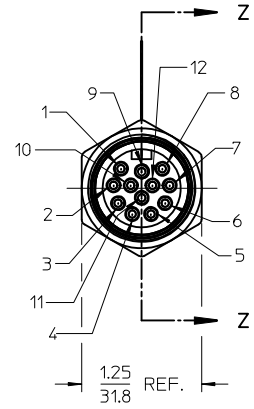
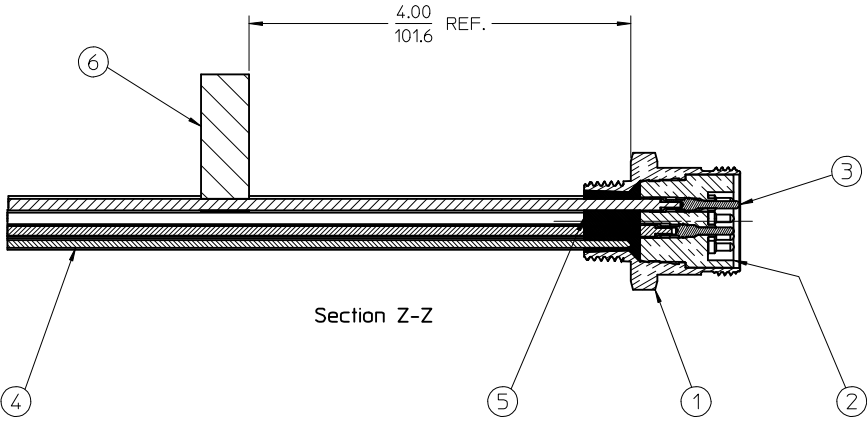
REF. KNOCK-OUT HOLE



- NOTES:
1. MATERIAL: SEE TABLE
  2. FINISHES: SEE TABLE
  3. MATES WITH: NONE
  4. ELECTRICAL SPECIFICATIONS:  
VOLTAGE RATING: 600V AC/DC  
CURRENT RATING: 5 AMPS
  5. RoHS COMPLIANT

1	ORANGE
2	BLUE
3	WHITE-BLACK
4	RED-BLACK
5	GREEN-BLACK
6	ORANGE-BLACK
7	BLUE-BLACK
8	BLACK-WHITE
9	GREEN-YELLOW
10	RED
11	WHITE
12	BLACK

WIRING DIAGRAM



6	1	LABEL	PLASTIC FILM	BLACK/YELLOW
5	1	POTTING	EPOXY	
4	12	WIRE, 16 AWG (UL 1015)	PVC INSULATED	SEE WIRE DIAGRAM
3	12	CONTACT PIN	BRASS	GOLD PLATED
2	1	INSERT	PVC	YELLOW
1	1	RECEPTACLE SHELL	ZINC ALLOY	BLACK
ITEM	QTY.	DESCRIPTION	MATERIAL	FINISH

RELEASED  
EC NO: MNA2010-0101  
DRAWN BY: R.STONE 2009/08/17  
CHKD BY: WOODMAN  
APPR: J.MURPHY 2009/08/21

QUALITY SYMBOLS  
▽=0  
▽=0

GENERAL TOLERANCES (UNLESS SPECIFIED)

	mm	INCH
4 PLACES	± .005	± .0005
3 PLACES	± .005	± .0005
2 PLACES	± .01	± .001
1 PLACE	± 0.3	± .012

ANGULAR ±1/2°

DRAFT WHERE APPLICABLE MUST REMAIN WITHIN DIMENSIONS

DIMENSION STYLE  
IN/MM

DRAWN BY: R.STONE DATE: 2009/08/14

CHECKED BY: B.WOODMAN DATE: 2009/08/17

APPROVED BY: J.MURPHY DATE: 2009/08/20

MATERIAL NO. SEE CHART

SCALE 1:1 DESIGN UNITS INCH

THIRD ANGLE PROJECTION

TITLE  
MC RECEPTACLE, MALE  
12 POLE, 1/2" NPT

MOLEX INCORPORATED

DOCUMENT NO. SD-130015-006 SHEET NO. 1 OF 1

THIS DRAWING CONTAINS INFORMATION THAT IS PROPRIETARY TO MOLEX INCORPORATED AND SHOULD NOT BE USED WITHOUT WRITTEN PERMISSION