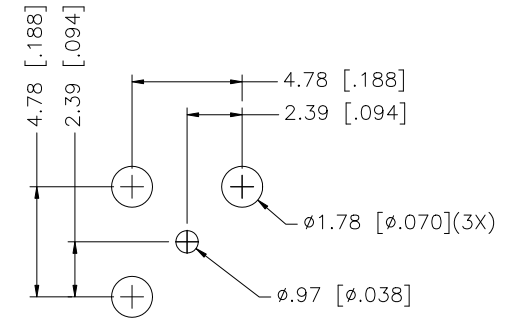
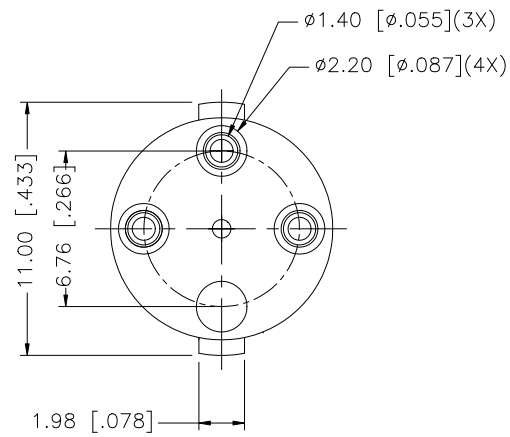
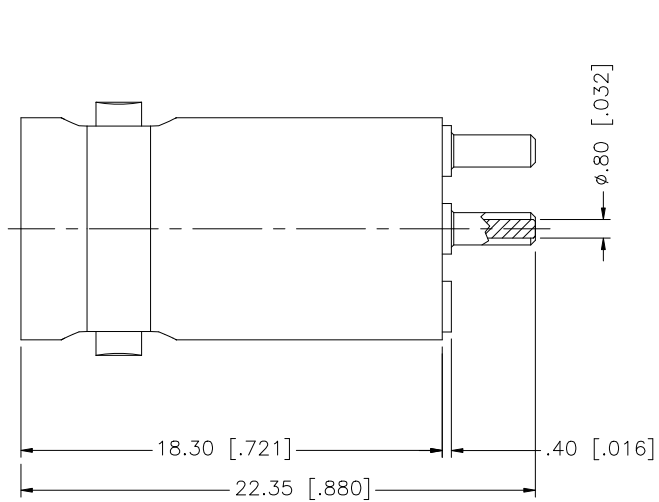


REV.	DATE	ECR NO.	DESCRIPTION
NC	01/16/09	-	INITIAL RELEASE



PCB MOUNTING HOLES

8				<small>UNLESS OTHERWISE SPECIFIED DIMENSIONS ARE IN MILLIMETERS. DIMENSIONS IN [] ARE IN INCHES AND FOR CUSTOMER REFERENCE ONLY.</small> <small>UNLESS OTHERWISE SPECIFIED TOLERANCES FOR MILLIMETERS ARE:</small> 0.5 - 8mm ± 0.20mm 8 - 30mm ± 0.40mm 30 - 120mm ± 0.50mm <small>UNLESS OTHERWISE SPECIFIED TOLERANCES FOR INCHES ARE:</small> .020 - .315 = ± 0.007" .315 - 1.180 = ± 0.015" 1.180 - 4.724 = ± 0.020"	APPROVALS	DATE	<h1 style="color: blue;">Amphenol Connex</h1>	
7			DRAWN		G.R.S.	01/16/09		PART DESCRIPTION <h2 style="text-align: center;">BNC P.C. MOUNT RECEPTACLE JACK</h2>
6			CHECKED					
5			ISSUED					
4				SHEET	1 OF 1	PART NO.	112586-13	
3	CONTACT PIN	BER. COPPER	GOLD	1		DWG. NO.	112586-13.DWG	
2	INSULATOR	PTFE	NATURAL	1		REV.	NC	
1	BODY	BRASS	NICKEL	1		SIZE	A	
	DESCRIPTION	MATERIAL	FINISH	QTY	DO NOT SCALE DRAWING	SCALE	NA	

CAD FILE C:/112/112586-13.DWG