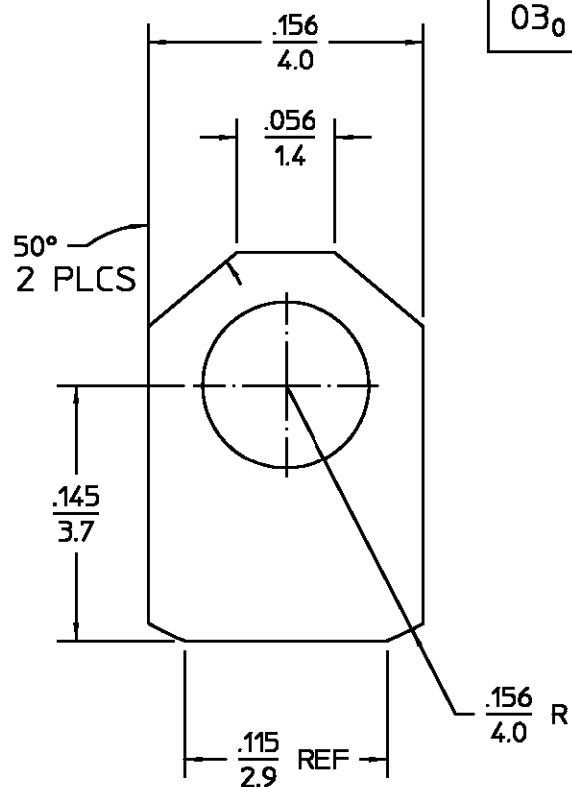
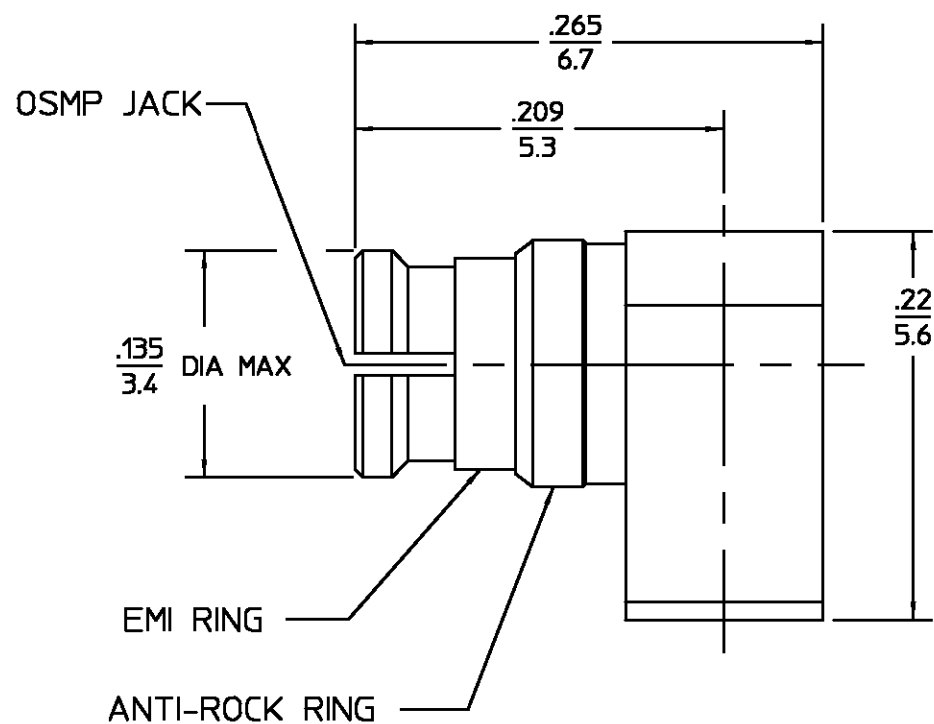


REVISIONS			
REV	DESCRIPTION	DATE	APPROVED
03 ₀	REVISED	12/07/94	<i>AD</i>



ELECTRICAL	MECHANICAL	ENVIRONMENTAL	HOUSING	MATERIAL	FINISH
Nominal Impedance (Ohms) <u>50</u>	Force to Engage (Lbs MAX) <u>15</u>	Temperature Rating <u>-65°C To +125°C</u>	DIELECTRIC	BERYLLIUM COPPER PER ASTM-B-196, ALLOY C17300, CONDITION H	GOLD PLATE PER MIL-G-45204
Frequency Range (GHz) DC to <u>26.5</u>	Disengage (Lbs MIN) <u>2.0</u>	Vibration MIL-STD-202, Method 204, Condition D	CENTER CONTACT	PTFE FLUOROCARBON PER ASTM-D-1457	N/A
Volt Rating (VRMS MAX) @ Sea Level <u>250</u>	Center Contact Retention <u>1.5 Lbs MIN</u>	Thermal Shock MIL-STD-202, Method 107, Condition B,	CONTACT FINGER	BERYLLIUM COPPER PER ASTM B 196, ALLOY C17300, CONDITION H	GOLD PLATE PER MIL-G-45204
VSWR <u>1.25 MAX @ 26.5 GHz</u>	Durability <u>100 cycles</u>	Corrosion - MIL-STD-202, Method 101, Condition B	ANTI-ROCK RING		
Insertion Loss <u>.12f GHz dB MIN</u>			EMI RING		
Corona, 70,000 Ft (VRMS MIN) <u>190</u>			COMPONENT	MATERIAL	FINISH
Dielectric Withstanding Voltage (VRMS MIN) @ Sea Level <u>500</u>	DESIGNED FOR USE WITH <u>.085 DIA S.R.</u>		UNLESS OTHERWISE SPECIFIED DIMENSIONS ARE IN INCHES	DRAWN BY <i>AP</i> DATE <u>4/15/93</u>	AMP Incorporated
Contact Resistance (Milliohms MAX) Center Contact <u>6.0</u> Outer Contact <u>2.0</u> Cable to Housing <u>0.5</u>	CABLE ENTRY DIAMETER MINIMUM HOUSING <u>.089</u>		FRAC. ± 1/64 DEC. ± .005 ANGLES ± 1°	CHECKED BY <i>DC</i>	140 Fourth Avenue Waltham, MA 02451-7599
RF High Potential @ Sea Level (VRMS MIN @ 5 MHz) <u>325</u>			These drawings and specifications are the property of AMP Incorporated and shall not be reproduced or copied or used in whole or in part as the basis for the manufacture or sale of item(s) without written permission.	APPD BY <i>DC</i> DATE <u>4/21/93</u>	AMP
LR.(Megohms MIN) <u>5000</u>				USE ASSY PROCEDURE	TITLE OSMP RIGHT ANGLE CABLE JACK DIRECT SOLDER ATTACHMENT
				NO. A.P. <u>408-04740</u> <u>29-002</u>	SIZE B CODE IDENT NO. 26805 2908-7985-62 REV 03 ₀
					SCALE 10:1 SHEET 1 OF 1

.XXX = in
XX.X = mm (REF)