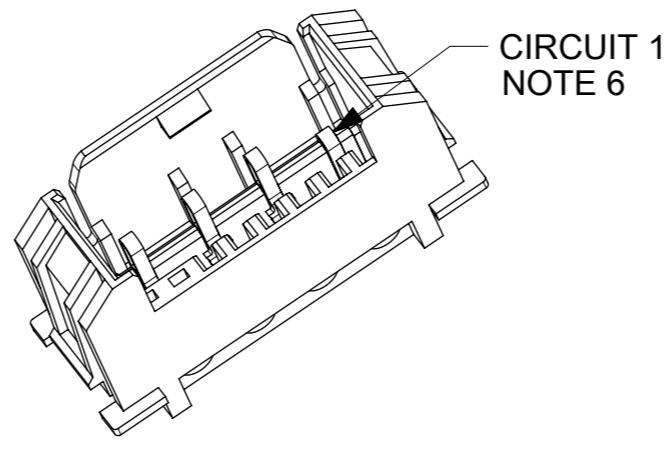
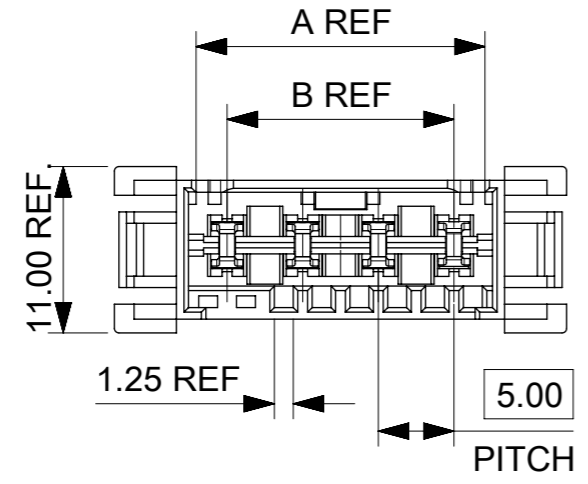
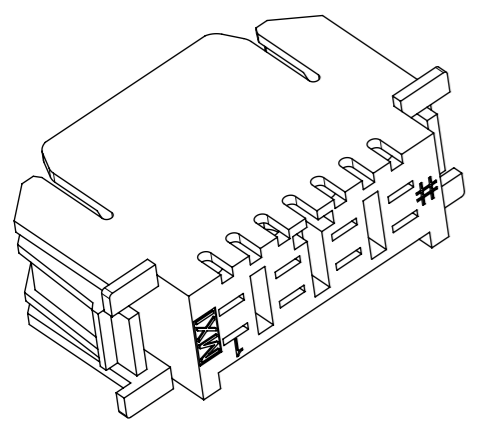
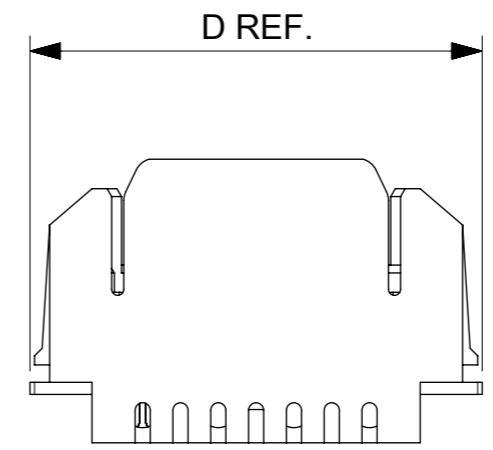
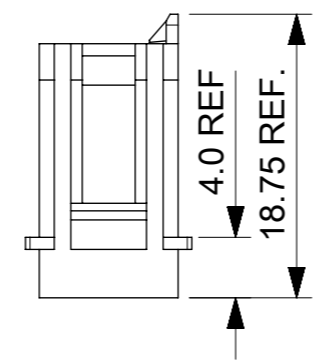
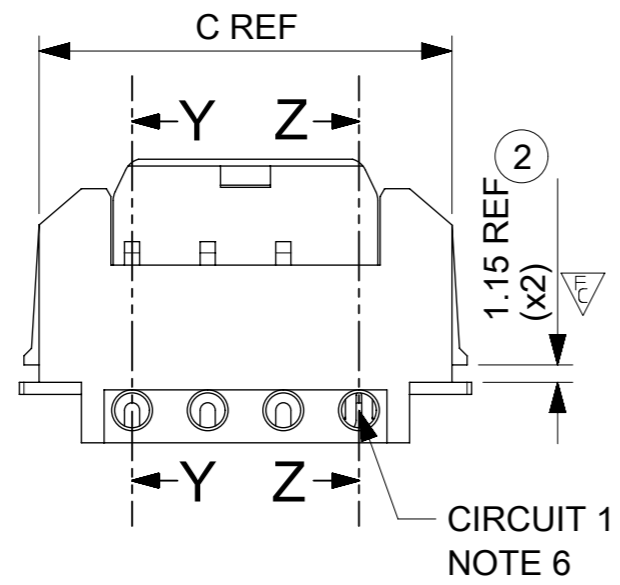
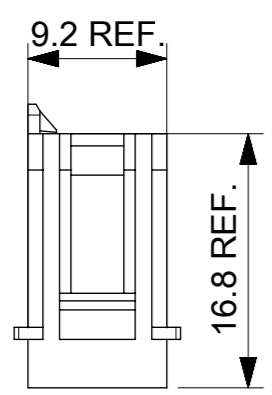


4 CIRCUIT CONNECTOR SHOWN

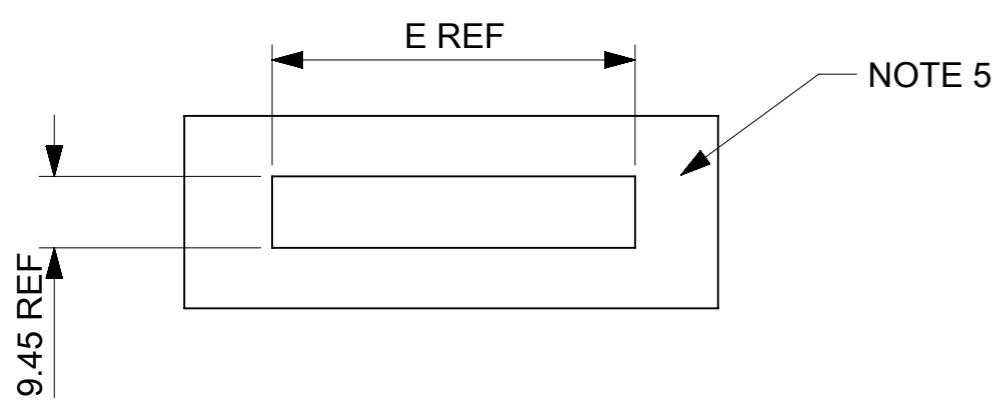
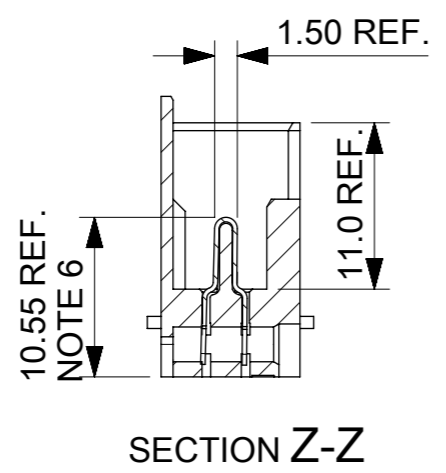
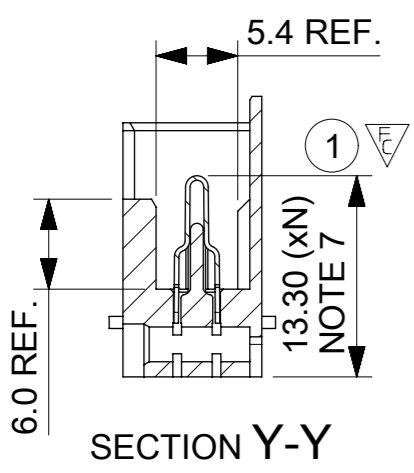


CKT	DIM A	DIM B	DIM C	DIM D	DIM E
2	10.1	5.0	17.3	19.9	17.5
3	15.1	10.0	22.3	24.9	22.5
4	20.1	15.0	27.3	29.9	27.5
5	25.1	20.0	32.3	34.9	32.5
6	30.1	25.0	37.3	39.9	37.5
7	35.1	30.0	42.3	44.9	42.5
8	40.1	35.0	47.3	49.9	47.5
9	45.1	40.0	52.3	54.9	52.5



- NOTES:
- MATERIALS:
HOUSING: POLYAMIDE 66 (PA66)
UL94-V0. COLOUR NATURAL
TERMINAL: COPPER ALLOY
PLATING: PRE-PLATED HOT TIN DIP.
 - PRODUCT CONFORMS TO SPECIFICATION PS-99020-0090.
 - MATES WITH RAST 2.5 APPLIMATE FEMALE CONNECTORS.
 - SEE PACKAGING SPECIFICATION PK-93422-001.
 - CONNECTOR IS DESIGNED FOR USE WITH PANEL 0.80mm TO 0.90mm THICKNESS
 - TERMINATED HEIGHT. CIRCUIT 1 SHOWN IN TERMINATED POSITION ONLY FOR PURPOSE OF DIMENSIONING TERMINATED HEIGHT POSITION.
 - TERMINAL PRE-TERMINATED HEIGHT. N=NUMBER OF CIRCUITS.
 - SEE APPLICATION SPECIFICATION AS-99033-010.
 - CONNECTOR DESIGNED TO RAST 2.5 STANDARD.

LAST INSPECTION NUMBER: 2



THIS DRAWING CONTAINS INFORMATION THAT IS PROPRIETARY TO MOLEX ELECTRONIC TECHNOLOGIES, LLC AND SHOULD NOT BE USED WITHOUT WRITTEN PERMISSION		CURRENT REV DESC: ADDED NEW P/N'S SHT2		molex	
DIMENSION UNITS	SCALE	EC NO: 614548			
mm	2:1	DRWN: AKABADI 2019/03/27		PRODUCT CUSTOMER DRAWING	
GENERAL TOLERANCES (UNLESS SPECIFIED)		CHK'D: BODEA 2019/03/27		DOCUMENT NUMBER	
ANGULAR TOL ± 0.5°		APPR: DRYAN 2019/04/07		934260001	
4 PLACES ±		INITIAL REVISION:		DOC TYPE DOC PART REVISION	
3 PLACES ±		DRWN: TJMURPHY 2016/03/21		PSD 000 F	
2 PLACES ± 0.05		APPR: BRUTTLE 2016/06/13		MATERIAL NUMBER	
1 PLACE ±		THIRD ANGLE PROJECTION		CUSTOMER	
0 PLACES ± 0.1		DRAWING		GENERAL MARKET	
DRAFT WHERE APPLICABLE MUST REMAIN WITHIN DIMENSIONS		SERIES		SHEET NUMBER	
		A3-SIZE		1 OF 2	
		93426			

2 Circuit			
MOLEX PART NO.	MOLEX HSG PART NO.	BLOCKED POSITION KEYS	CONFIGURATION (SEE NOTES)
93426-0001	93431-0201	NONE	
93426-0010	93431-0202	a d	
93426-0011	93431-0203	c d	
93426-0012	93431-0204	a b	
93426-0013	93431-0205	b c	
93426-0014	93431-0206	a c	

3 Circuit			
MOLEX PART NO.	MOLEX HSG PART NO.	BLOCKED POSITION KEYS	CONFIGURATION (SEE NOTES)
93426-1001	93431-0301	NONE	
93426-1002	93431-0302	b e	
93426-1003	93431-0303	b c d	
93426-1004	93431-0304	b d	

4 Circuit				
MOLEX PART NO.	MOLEX HSG PART NO.	BLOCKED POSITION KEYS	CONFIGURATION (SEE NOTES)	TERMINAL VOID POSITION
93426-2001	93431-0401	NONE		NONE
93426-2002	93431-0401	NONE		CKT 2

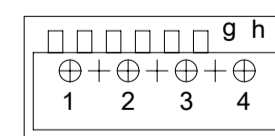
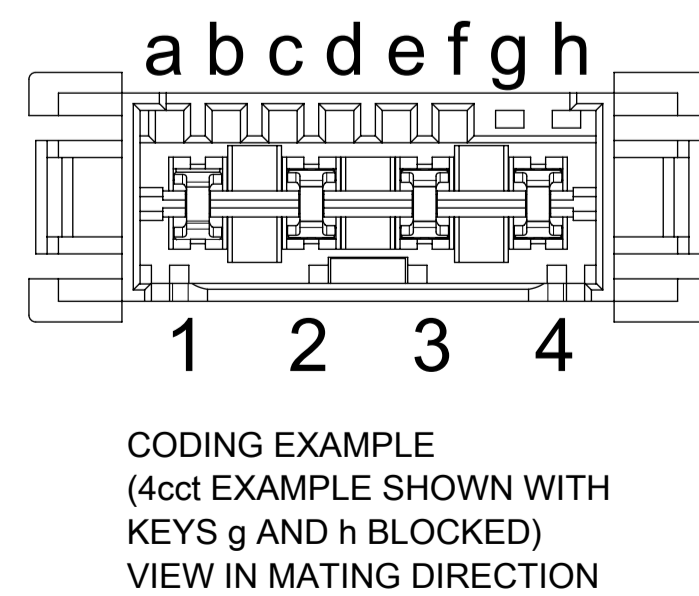
5 Circuit			
MOLEX PART NO.	MOLEX HSG PART NO.	BLOCKED POSITION KEYS	CONFIGURATION (SEE NOTES)
93426-3001	93431-0501	NONE	

6 Circuit			
MOLEX PART NO.	MOLEX HSG PART NO.	BLOCKED POSITION KEYS	CONFIGURATION (SEE NOTES)
93426-4001	93431-0601	NONE	

7 Circuit			
MOLEX PART NO.	MOLEX HSG PART NO.	BLOCKED POSITION KEYS	CONFIGURATION (SEE NOTES)
93426-5001	93431-0701	NONE	

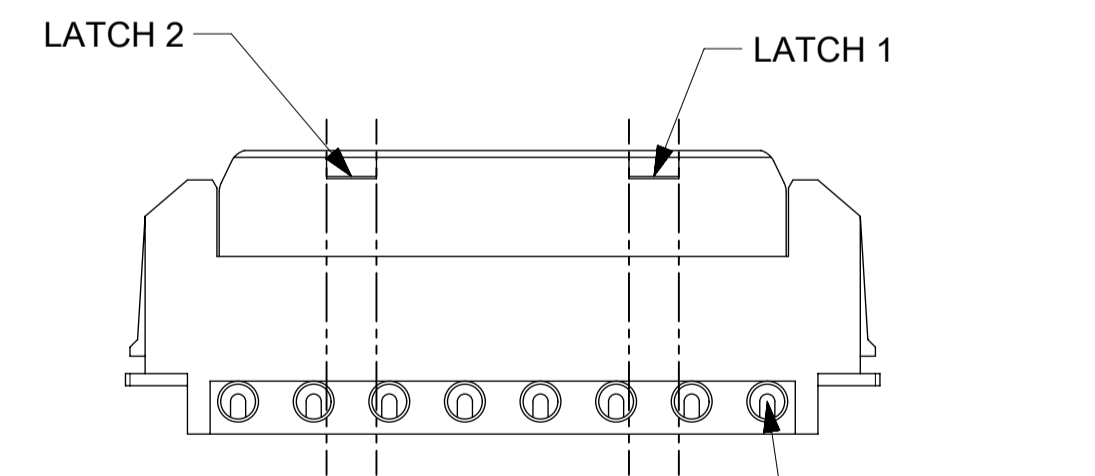
8 Circuit			
MOLEX PART NO.	MOLEX HSG PART NO.	BLOCKED POSITION KEYS	CONFIGURATION (SEE NOTES)
93426-6001	93431-0801	NONE	
93426-6002	93431-0802	b c d e f g h i j k l m n o	

9 Circuit			
MOLEX PART NO.	MOLEX HSG PART NO.	BLOCKED POSITION KEYS	CONFIGURATION (SEE NOTES)
93426-7001	93431-0901	NONE	



- NOTES:
- ⊕ DENOTES LOADED TERMINAL POSITION
+ DENOTES VOIDED TERMINAL POSITION
 - MOLEX HOUSING NUMBER FOR REFERENCE ONLY

EXAMPLE CIRCUIT SIZE 8 & ABOVE SHOWN BELOW



FOR CIRCUIT SIZE 8 & ABOVE
2 LATCHES ARE PRESENT.
SEE TABLE BELOW FOR
POSITION OF LATCHES

LATCH 2 POSITION BETWEEN CABLE CORES	LATCH 1 POSITION BETWEEN CABLE CORES	CIRCUIT SIZE
4 & 5	11 & 12	15
4 & 5	10 & 11	14
3 & 4	10 & 11	13
3 & 4	9 & 10	12
3 & 4	8 & 9	11
2 & 3	8 & 9	10
2 & 3	7 & 8	9
2 & 3	6 & 7	8

THIS DRAWING CONTAINS INFORMATION THAT IS PROPRIETARY TO MOLEX ELECTRONIC TECHNOLOGIES, LLC AND SHOULD NOT BE USED WITHOUT WRITTEN PERMISSION									
DIMENSION UNITS	SCALE	CURRENT REV DESC: ADDED NEW P/N'S SHT2							
mm	1:1								
GENERAL TOLERANCES (UNLESS SPECIFIED)		EC NO: 614548			WIRE TO WIRE HEADER ASSEMBLY PANEL MOUNT 5MM PITCH 0.5MM2 CABLE				
ANGULAR TOL	± 0.5°	DRWN: AKABADI 2019/03/27							
4 PLACES	±	CHK'D: BODEA 2019/03/27							
3 PLACES	±	APPR: DRYAN 2019/04/07							
2 PLACES		INITIAL REVISION:			PRODUCT CUSTOMER DRAWING				
1 PLACE		DRWN: TJMURPHY 2016/03/21			DOCUMENT NUMBER				
0 PLACES		APPR: BRUTTLE 2016/06/13			934260001				
DRAFT WHERE APPLICABLE MUST REMAIN WITHIN DIMENSIONS		THIRD ANGLE PROJECTION	DRAWING	SERIES	MATERIAL NUMBER	CUSTOMER	SHEET NUMBER		
			A1-SIZE	93426	SEE CHARTS	GENERAL MARKET	2 OF 2		