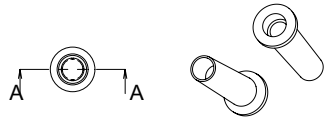
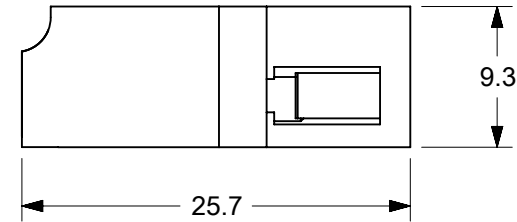
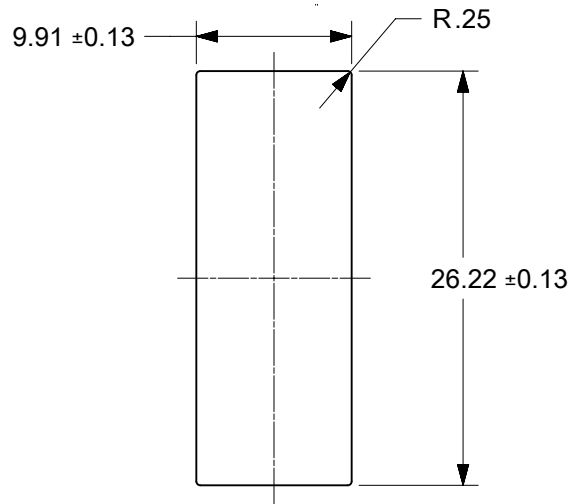
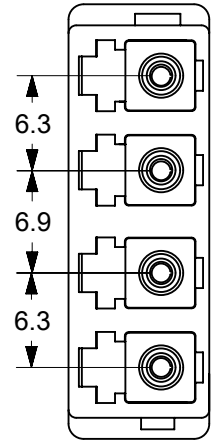
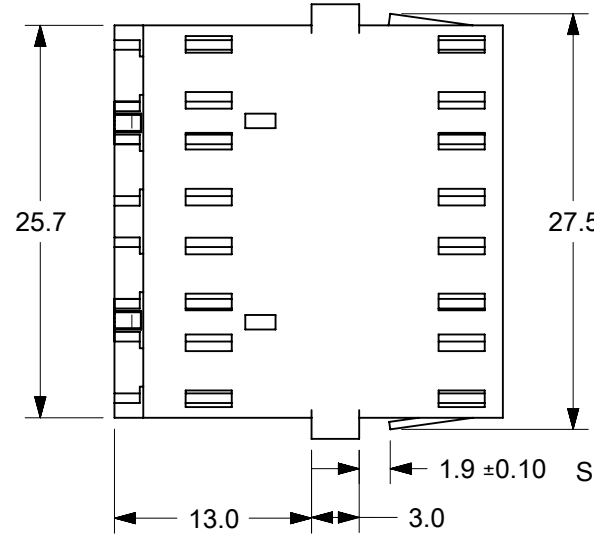
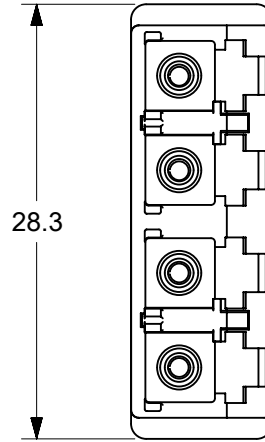


SECTION A-A



DUST CAP
QTY: 8PCS



885360128	BLUE
MX P/N	COLOR

RECOMMENDED MOUNTING PATTERN
SCALE 2:1

NOTES:

1. DUST CAPS ARE NOT SHOWN.
2. MATERIAL: PEI
3. ALL DIMENSIONS ARE FOR REFERENCE ONLY.
4. RECOMMENDED PANNEL THICKNESS: 1.6MM TO 1.8MM

THIS DRAWING CONTAINS INFORMATION THAT IS PROPRIETARY TO MOLEX ELECTRONIC TECHNOLOGIES, LLC AND SHOULD NOT BE USED WITHOUT WRITTEN PERMISSION

DIMENSION UNITS		SCALE		CURRENT REV DESC: OBSOLETE PART NUMBERS AS PER PCN#506884									
mm		NTS											
GENERAL TOLERANCES (UNLESS SPECIFIED)						LC 4WAY ADAPTER ONE BODY PRODUCT CUSTOMER DRAWING							
		MM	INCH										
4 PLACES	±		±										
3 PLACES	±		±										
2 PLACES	±		±										
1 PLACE	±	0.3	±										
0 PLACES	±		±										
ANGULAR TOL ± 0.5 °						EC NO: 660342 DRWN: SKANDB 2021/01/19 CHK'D: IGUMIN 2021/04/09 APPR: IGUMIN 2021/04/09							
DRAFT WHERE APPLICABLE MUST REMAIN WITHIN DIMENSIONS						INITIAL REVISION: DRWN: SDIXIE 2015/03/05 APPR: JQWANG 2015/03/20							
THIRD ANGLE PROJECTION		DRAWING		SERIES		DOCUMENT NUMBER		DOC TYPE		DOC PART		REVISION	
		A4-SIZE		88536		SD-88536-012		PSD		001		C	
MATERIAL NUMBER		CUSTOMER		SHEET NUMBER		SEE TABLE		GENERAL MARKET		1 OF 1			

DOCUMENT STATUS	P1	RELEASE DATE	2021/04/09	11:46:03
-----------------	----	--------------	------------	----------