

NOTES:

1. MATERIAL:
 - (A). SCREW: SEE LEGEND
 - (B). INSULATOR: PBT, UL94V-0
 - (C). TERMINAL: BRASS, TIN PLATED
2. NUMBER OF CIRCUIT POSITIONS AVAILABLE: 2 THROUGH 15
3. ELECTRICAL RATINGS:
 - (A). MAXIMUM VOLTAGE: 600V
 - (B). MAXIMUM CURRENT: 50A
 - (C). INSULATION RESISTANCE: 500MΩ PER MINUTE
 - (D). DIELECTRIC WITHSTAND VOLTAGE: 2200V AC
4. WIRE RANGE: 8 TO 20 AWG (SOLID OR STRANDED COPPER)
5. RECOMMENDED WIRE STRIP LENGTH: 0.32 IN. (8mm)
6. SCREW TORQUE: 16 LBF. IN. (1.8Nm)
7. OPERATING TEMPERATURE: -40°C TO +120°C

MATERIAL NUMBER LEGEND

389 XX X X XX

INSULATOR STYLE

69- NO MOUNTING ENDS

NO. OF CIRCUITS

(02 - 15)

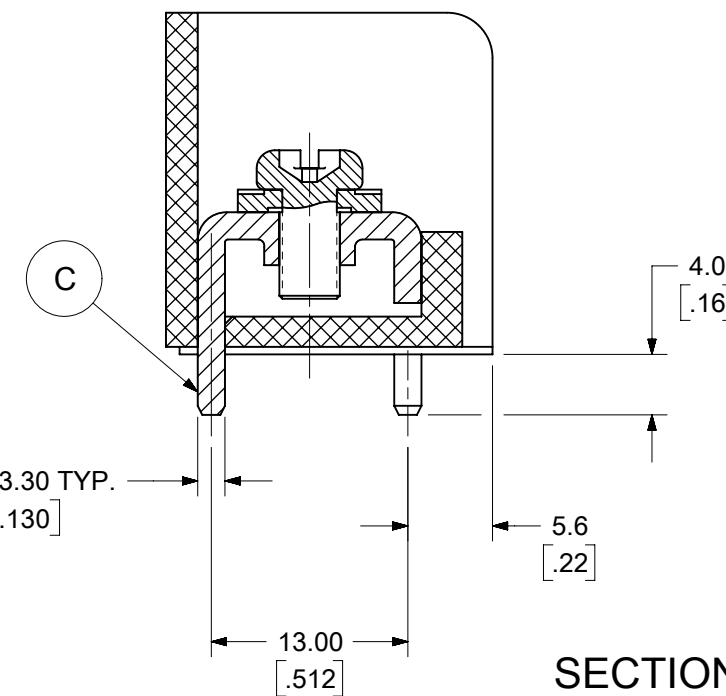
TERMINAL STYLE

0 - PC TAILS

SCREW STYLE

0 - M4 WITH SQUARE WASHER, STEEL, NICKEL PLATED

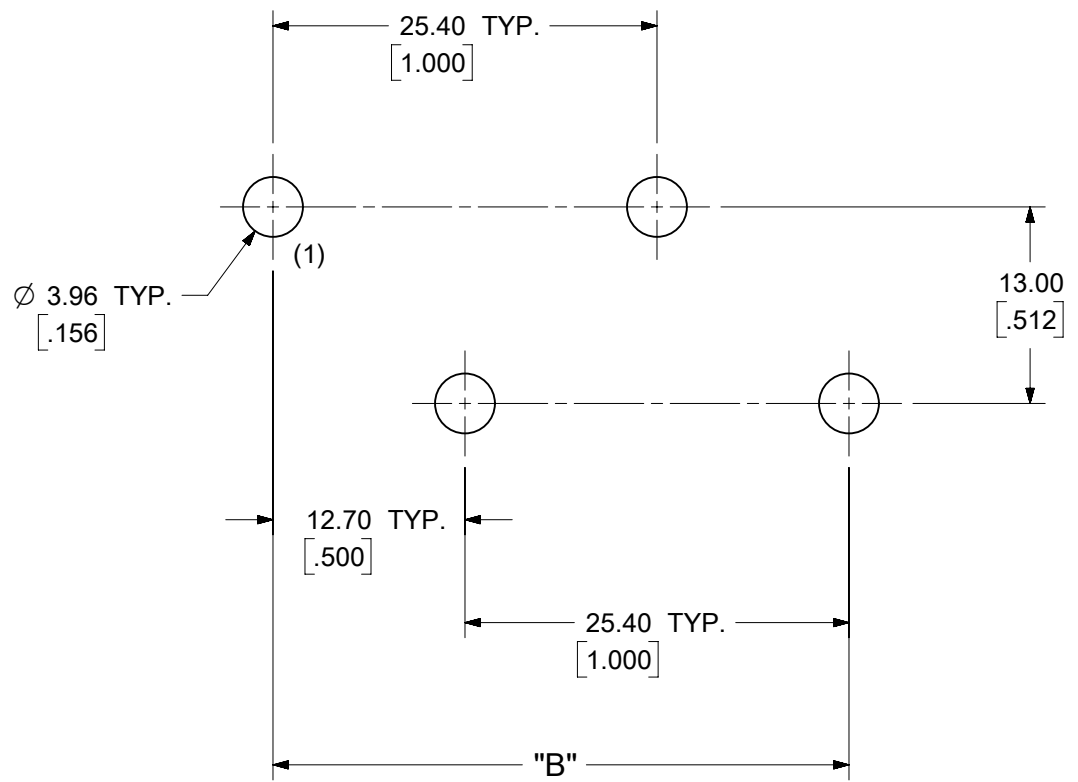
TERM. STYLE 0 - PC TAILS



SECTION A-A

SYMBOLS DIMENSION UNITS: MM/INCH SCALE: 2:1 GENERAL TOLERANCES (UNLESS SPECIFIED): 4 PLACES ± .05 3 PLACES ± .03 2 PLACES ± 0.13 1 PLACE ± 0.3 0 PLACES ± .01 ANGULAR TOL ± 2° DRAFT WHERE APPLICABLE MUST REMAIN WITHIN DIMENSIONS THIRD ANGLE PROJECTION DRAWING SERIES: B-SIZE 38969	THIS DRAWING CONTAINS INFORMATION THAT IS PROPRIETARY TO MOLEX ELECTRONIC TECHNOLOGIES, LLC AND SHOULD NOT BE USED WITHOUT WRITTEN PERMISSION CURRENT REV DESC: UPDATED NOTES SECTION EC NO: 632901 DRWN: ABENJAMINLW 2020/01/14 CHK'D: DACHAMMER 2020/02/25 APPR: JFMURPHY 2020/03/09 INITIAL REVISION: DRWN: CLYORK 2006/11/22 APPR: JMACNEIL 2006/12/01			molex 12.70MM [.500] SINGLE ROW TRI-BARRIER TERMINAL STRIP PRODUCT CUSTOMER DRAWING		
	DOCUMENT NUMBER: SD-38969-001 DOC TYPE: PSD DOC PART: 001 REVISION: E					
	MATERIAL NUMBER: SEE LEGEND CUSTOMER: GENERAL MARKET SHEET NUMBER: 1 OF 2					
	DOCUMENT STATUS: P1 RELEASE DATE: 2020/03/09 17:51:51					

QUANTITY OF CIRCUITS	DIM. "A"		DIM. "B"	
	mm	IN	mm	IN
02	27.9	1.10	12.70	.500
03	40.6	1.60	25.40	1.000
04	53.3	2.10	38.10	1.500
05	66.0	2.60	50.80	2.000
06	78.7	3.10	63.50	2.500
07	91.4	3.60	76.20	3.000
08	104.1	4.10	88.90	3.500
09	116.8	4.60	101.60	4.000
10	129.5	5.10	114.30	4.500
11	142.2	5.60	127.00	5.000
12	154.9	6.10	139.70	5.500
13	167.6	6.60	152.40	6.000
14	180.3	7.10	165.10	6.500
15	193.0	7.60	177.80	7.000



RECOMMENDED PCB LAYOUT

SYMBOLS DIMENSION UNITS: MM/INCH SCALE: 2:1 GENERAL TOLERANCES (UNLESS SPECIFIED): 4 PLACES ± --- ± --- 3 PLACES ± --- ± .005 2 PLACES ± 0.13 ± .01 1 PLACE ± 0.3 ± --- 0 PLACES ± --- ± --- ANGULAR TOL ± 2° DRAFT WHERE APPLICABLE MUST REMAIN WITHIN DIMENSIONS THIRD ANGLE PROJECTION DRAWING: B-SIZE SERIES: 38969	THIS DRAWING CONTAINS INFORMATION THAT IS PROPRIETARY TO MOLEX ELECTRONIC TECHNOLOGIES, LLC AND SHOULD NOT BE USED WITHOUT WRITTEN PERMISSION CURRENT REV DESC: UPDATED NOTES SECTION EC NO: 632901 DRWN: ABENJAMINLW 2020/01/14 CHK'D: DACHAMMER 2020/02/25 APPR: JFMURPHY 2020/03/09 INITIAL REVISION: DRWN: CLYORK 2006/11/22 APPR: JMACNEIL 2006/12/01		molex 12.70MM [.500] SINGLE ROW TRI-BARRIER TERMINAL STRIP PRODUCT CUSTOMER DRAWING		
	DOCUMENT NUMBER: SD-38969-001 DOC TYPE: PSD DOC PART: 001 REVISION: E				
	MATERIAL NUMBER: SEE LEGEND CUSTOMER: GENERAL MARKET SHEET NUMBER: 2 OF 2				
	DOCUMENT STATUS: P1 RELEASE DATE: 2020/03/09 17:51:51				