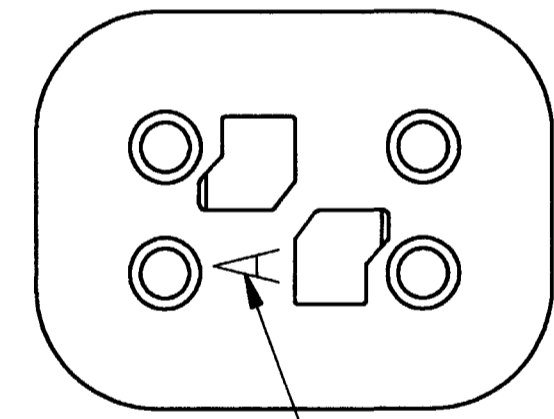
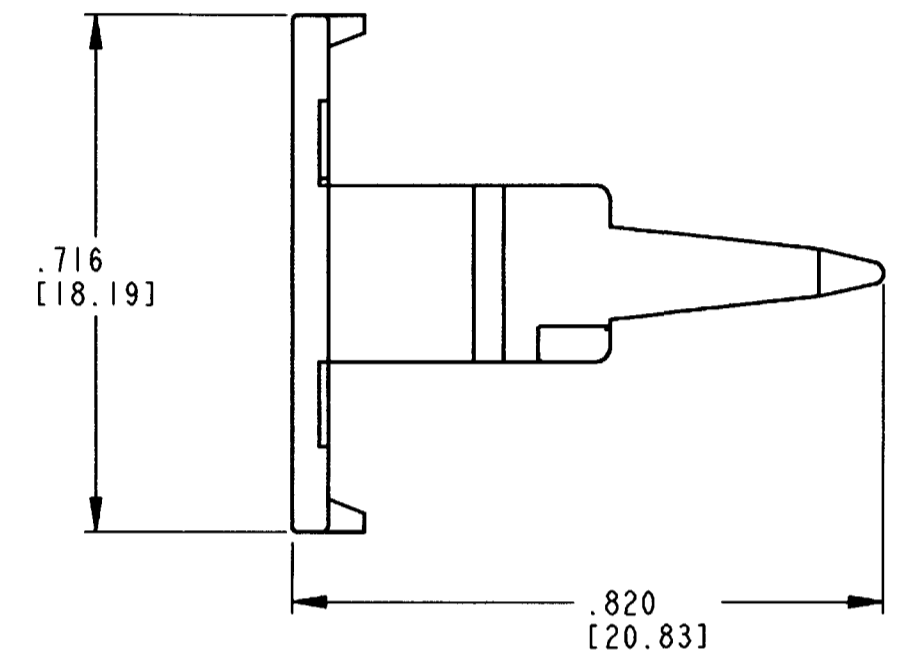
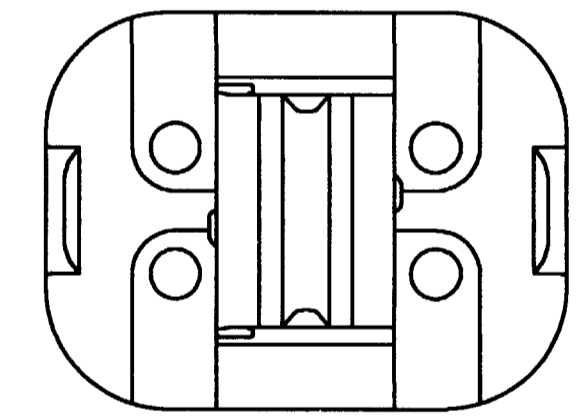
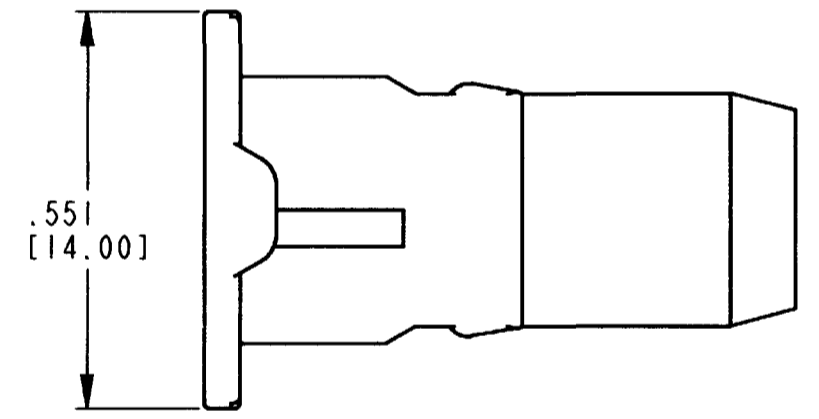


3D VIEW



WEDGE KEY IDENTIFICATION



REV	NC	W4SA-P012	REVISIONS			
			SYM	DESCRIPTION	DATE	APPROVED
			NC	NEW RELEASE PER E.O. P16275	9-8-99	RDR

- NOTES:
1. DIMENSIONS ARE IN INCHES [MILLIMETERS].
  2. DIMENSIONS ARE  $\pm .025$  [0.63] UNLESS OTHERWISE SPECIFIED.
  3. THIS WEDGE LOCK IS UTILIZED BY DT06-4S-P012. WEDGE DESIGNED TO MATE WITH RECEPTACLE WEDGE W4PA.

SIGNATURE & DATE	
DR	S. THEIS 8/27/99
CHK	<i>[Signature]</i> SEP 1-99
PE	<i>[Signature]</i> 9-1-99
APPD	<i>[Signature]</i> 9-8-99
SCALE	4:1 WT

WEDGE LOCK  
 -A- KEY POSITION  
 P012 MOD  
 COLOR: GRAY  
 DT SERIES  
 ENVELOPE

CP	MATL. CODE
<b>The Deutch Company</b> DEUTSCH I.P.D. 3850 INDUSTRIAL AVE. HEMET, CALIF. 92545	
<b>B</b>	<b>W4SA-P012</b>
DWG SIZE	CODE 11139 SHEET 1 OF 1