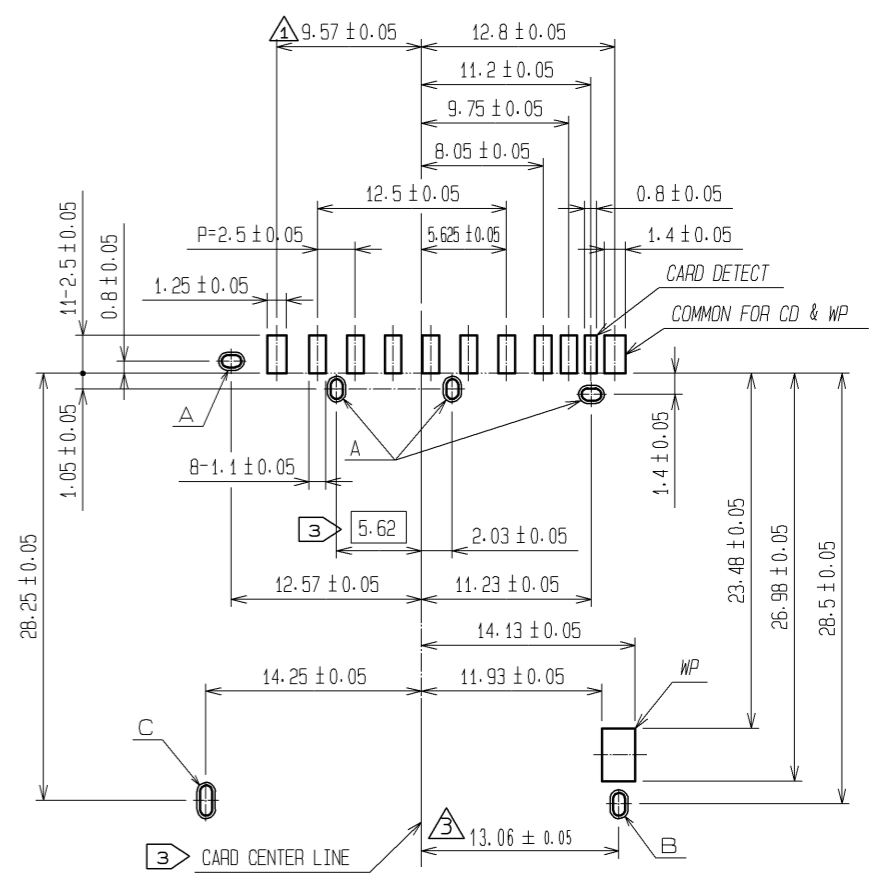
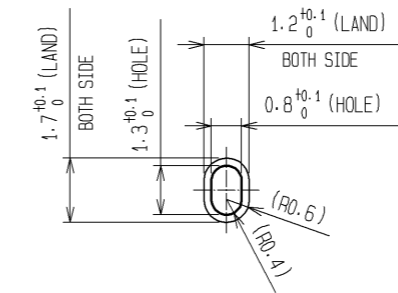


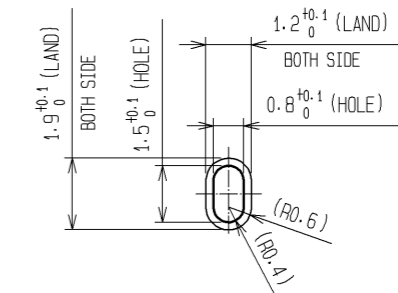
PCB LAYOUT (MOUNTING SIDE)



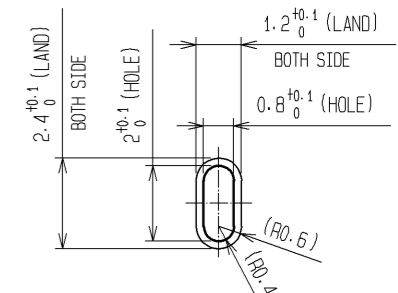
A (5:1)



B (5:1)



C (5:1)



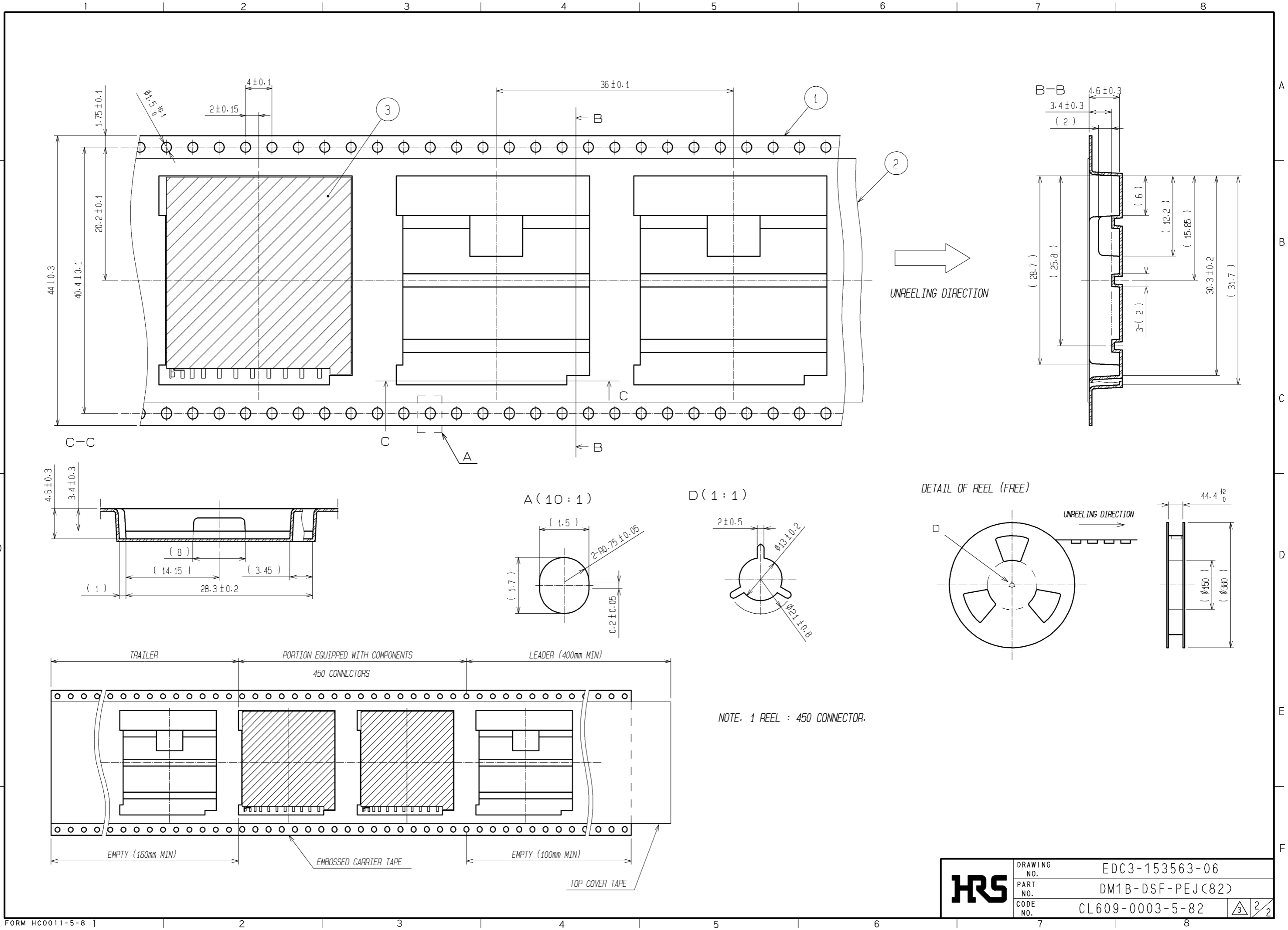
- 注 ① φ IS THE CENTERLINE OF THE CARD SLOT.  
 ② THESE DIMENSIONS ARE FROM THE CENTER TO THE CENTER OF EACH DIP PIN.  
 ③ 'CARD CENTER LINE' IS SPECIFIED BY DIMENSION [5.62].  
 ④ CARD DETECTION PROCEDURE AND WP DETECTION PROCEDURE ARE SHOWN IN THE BELOW.

CARD DETECTION SWITCH		WP DETECTION SWITCH		
NO CARD	CARD INSERTED	NO CARD	CARD INSERTED	
			WRITE PROTECT	WRITE ENABLE
OPEN	CLOSE	OPEN	OPEN	CLOSE
PART NO.6 PART NO.8	PART NO.6 PART NO.8	PART NO.7 PART NO.8	PART NO.7 PART NO.8	PART NO.7 PART NO.8

⑤ LEAD CO-PLANARITY TO BE 0.1 mm.

NO.	MATERIAL	FINISH	REMARKS	NO.	MATERIAL	FINISH	REMARKS
4	PA	BLACK	UL94V-0	10	STAINLESS STEEL		
3	STAINLESS STEEL	DIP AREA	Ni0.2μm + SnCu1.5μm	9	STEEL WIRE	Ni	
2	COPPER ALLOY	CONTACT AREA	Ni1.5μm + Au0.2μm	6~8	COPPER ALLOY	CONTACT AREA	Ni1.5μm + Au0.2μm
		MOUNTING AREA	Ni1.5μm + Au0.03μm			MOUNTING AREA	Ni1.5μm + Au0.03μm
1	LCP	BLACK	UL94V-0	5	STAINLESS STEEL		

UNITS	SCALE	COUNT	DESCRIPTION OF REVISIONS	DESIGNED	CHECKED	DATE
mm	2:1	1	DIS-F-005069	KA. KANEKO	NH. SUGITA	10.11.09
APPROVED: KI. AKIYAMA 05.12.06			DRAWING NO. EDC3-153563-06			
CHECKED: SI. TOMIOKA 05.12.06			PART NO. DM1B-DSF-PEJ(82)			
DESIGNED: KI. KAGOTANI 05.12.05			CODE NO. CL609-0003-5-82			
DRAWN: HM. SAITO 05.12.01						



<b>HRS</b>	DRAWING NO.	EDC3-153563-06
	PART NO.	DM1B-DSF-PEJ(82)
	CODE NO.	CL609-0003-5-82
		3/2