

CGA3E2C0G1H122J080AD

TDK Item Description : CGA3E2C0G1H122JT***B



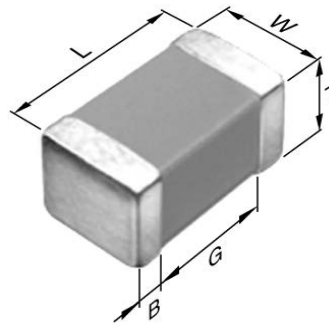
Equivalent C1608C0G1H122J for Automotive

Application & Main Feature

Automotive Grade (Conductive Epoxy Application)

Series

CGA3(1608) [EIA 0603]



Dimensions

L	1.60mm ±0.15mm
W	0.80mm ±0.15mm
T	0.80mm ±0.15mm
B	0.20mm Min.
G	0.30mm Min.

Temperature Characteristic

C0G (-55 to 125 degC 0+/-30ppm/degC)

Rated Voltage

1H(50Vdc)

Capacitance

1.2nF

Capacitance Tolerance

J (±5%)

Q Factor

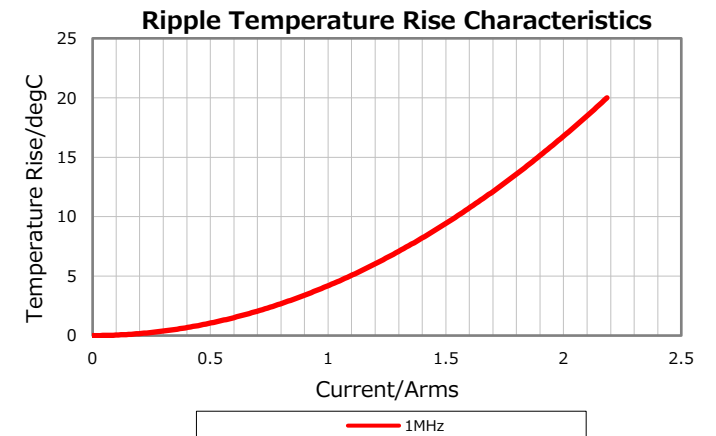
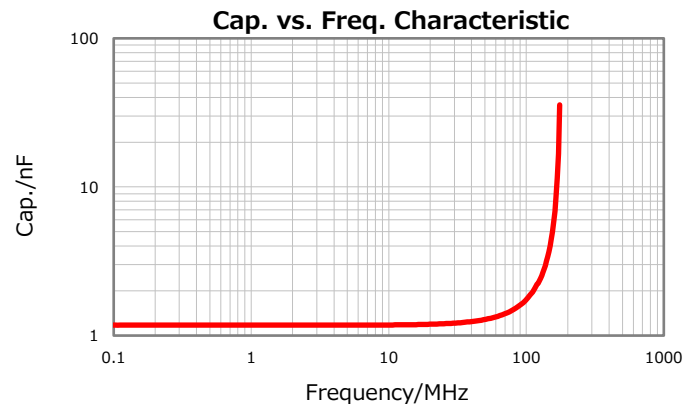
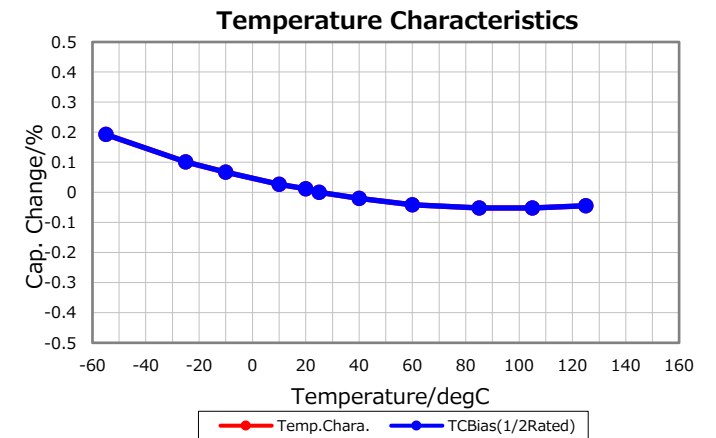
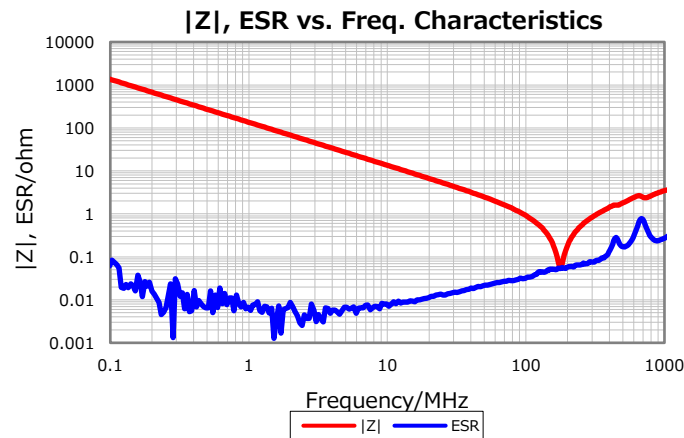
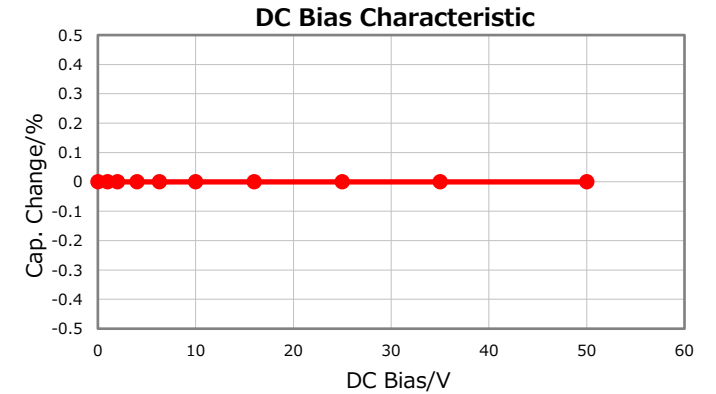
1000 Min.

Insulation Resistance

10Gohm Min

AEC-Q200

Yes



Characterization Sheet (Multilayer Ceramic Chip Capacitors)



All specifications are subject to change without notice.

May 22, 2019