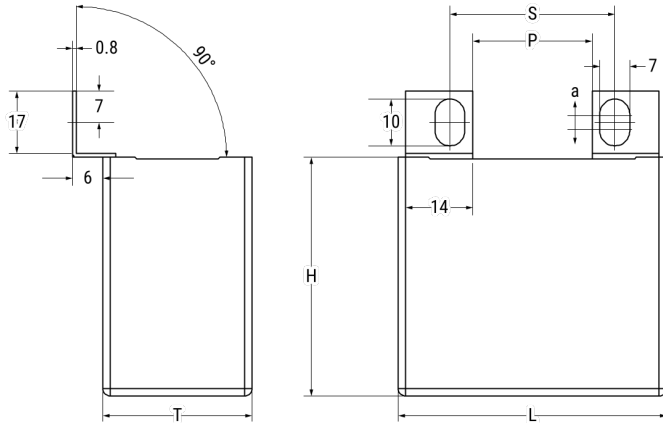


C4BSPBX4100ZGJJ

C4BS, Film, Metallized Polypropylene, Power, 1 uF, 5%, 630 VAC, 1200 VDC, 70°C, Lead Spacing = 22mm



Click [here](#) for the 3D model.

Dimensions

L	42.5mm +1.5/-0.7mm
H	37mm +0.2/-0.7mm
T	28mm +0.4/-0.7mm
S	22mm +/-0.2mm
SI	4mm +/-0.2mm
P	10.5mm NOM

Packaging Specifications

Packaging	Bulk, Bag
Packaging Quantity	36

General Information

Series	C4BS
Dielectric	Metallized Polypropylene
Style	Radial
Features	IGBT Circuit
RoHS	Yes
Lead	Flat Tabs
AEC-Q200	No
Miscellaneous	KEMET Style G Tabs.

Specifications

Capacitance	1 uF
Capacitance Tolerance	5%
Voltage AC	630 VAC
Voltage DC	1200 VDC
Temperature Range	-40/+85°C
Rated Temperature	70°C
Max dV/dt	965 V/us
Resistance	3.3 mOhms (100kHz)
Ripple Current	27 Amps (100kHz 70C), 965 Amps (Peak)
Inductance	36 nH