

MODEL NUMBER
ATT-0225-XX-TNC-02

NOTES:

1.0 ELECTRICAL SPECIFICATIONS:

1.1 FREQUENCY RANGE: DC to 18.0 GHz

1.2 ATTENUATION ACCURACY:

1 to 6dB ±0.3dB
7 to 20dB ±0.5dB
21 to 40dB ±1.0dB
41 to 60dB ±1.5dB

1.3 IMPEDANCE: 50 OHMS

1.4 MAXIMUM VSWR: 1.07+0.015f(GHz)

1.5 MAXIMUM INPUT POWER: 2 WATTS AVG.

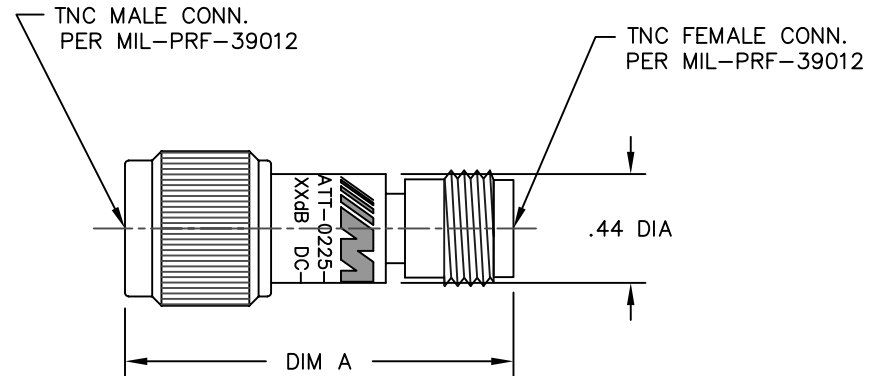
AT +25°C DERATED LINEARLY TO
0.5 WATTS AT +125°C.

1.6 OPERATING TEMP. RANGE:

-54°C to +125°C

2.0 MARKING: (MARK UNIT AS SHOWN)

(REF.: INK-03339-27-XX)



21-60	1.86
1-20	1.57
(dB)	
ATTEN.	DIM A

REV.	DESCRIPTION	DATE
I	RELEASED	2/21/97
A	ECR 1888	12/10/82
B	ECR 6545	6/29/89
C	ECN 10356	4/22/91
D	ECN 11779	4/30/92
D1	ADDED TITLEBLOCK	3/21/05
E	ECN 20401	4/18/05

DWG NO. WAS: 02368-01-00

<p>NOTICE: The information contained in this drawing is proprietary and must not be used without the permission of Emerson Network Power.</p> <p>UNLESS OTHERWISE NOTED DIMENSIONS ARE IN INCHES AND TOLERANCES ARE: 3 PLACE DECIMALS ±.005 2 PLACE DECIMALS ±.02 FRACTIONS ±1/64 PARALLELITY: T.I.R. _____ FLATNESS: T.I.R. _____ CONCENTRICITY: T.I.R. _____ ANGLES AND PERPENDICULARITY: ±1'</p>	<p>CAGE CODE 34078</p>	<p>MIDWEST MICROWAVE</p>	
	<p>EMERSON Network Power Connectivity Solutions</p>		<p>TITLE ATTENUATOR OUTLINE DRAWING</p>
<p>DRAWN/DATE A.BEATTY 4/30/92</p>	<p>ENG./DATE G.KOZAK 5/6/92</p>	<p>DRAWING NUMBER ATT-0225-XX-TNC-02-01</p>	<p>REV. E</p>
<p>CHECKED/DATE</p>	<p>APPROVED/DATE</p>	<p>SCALE: 5=1</p>	<p>SHEET 1 of 1</p>