

Product Change Notification

PCN-ICC-2849-2018

Business Unit	Product Line Code	Type of Change	Action	Date of Issue
ICC - Industrial Cabinet	BE2	Product Change Notification	Notify Distributors and Field	12/10/2018

The following Phoenix Contact products have been modified. Existing specifications will be met or exceeded. Please review and acknowledge this document and inform your personnel as needed.

Description for Product Change Notification

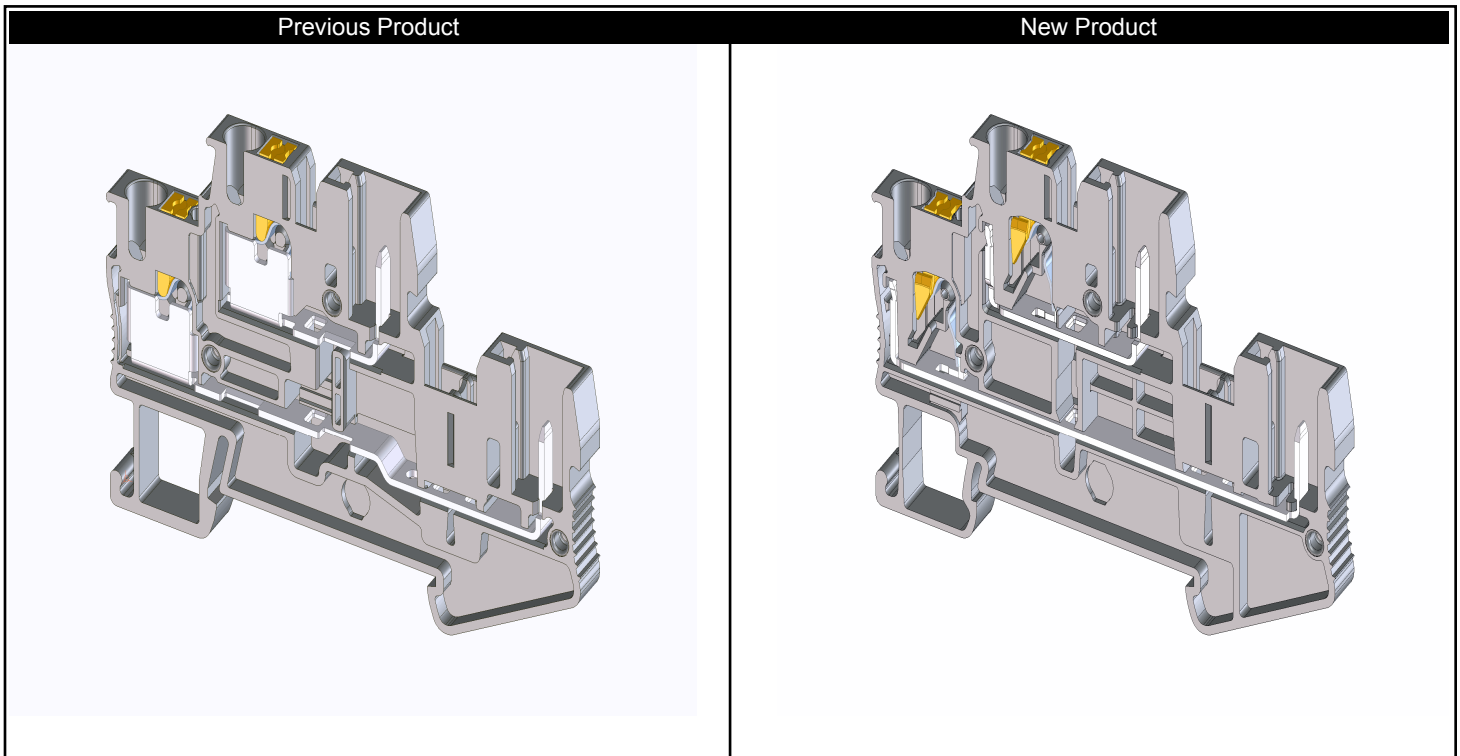
In consideration of a continuous improvement process of Phoenix Contact terminal blocks, there will be a product change which will affect the mentioned articles of the PTTB 2,5/2P series. The change affects the current bar, the push button, and the plastic housing. The change has no influence to handling, ergonomics, or the top view design. Old and new designs remain in the same shape. The existing accessories are still suitable with one exception: The -PE version and the -PV version do not offer the upper bridging shaft after the design change.

Stock Status

Can existing stock still be used?	Yes
Is mixture of stock acceptable?	Yes

Transaction Dates

Date modification goes into effect from Germany:	12/5/2018
Expected first shipment (from Phoenix Contact) of the modified products(s):	7/8/2019





Phoenix Contact Inc.
P.O. BOX 4100
Harrisburg, PA 17111-0100
Phone: 717-944-1300
Fax: 717-944-1625

Product Change Notification

Should you have any issues with the timeline or content of this product change, please contact Phoenix Contact using the information below. Customers should acknowledge receipt of the PCN within 30 days of delivery of the PCN; provided, however, that the failure to acknowledge receipt does not affect the product change or the effective date thereof.

Contact Info:

Cory Myer
cmyer@phoenixcon.com

Thank you,

Alan P. Sappe'

Alan Sappe

Product Marketing Manager - Industrial Cabinet Conn.



Phoenix Contact Inc.
P.O. BOX 4100
Harrisburg, PA 17111-0100
Phone: 717-944-1300
Fax: 717-944-1625

Product Change Notification

Part #	Type Description
3210871	PTTB 2,5/2P
3210907	PTTB 2,5/2P-PV
3210897	PTTB 2,5/2P-PE
3210884	PTTB 2,5/2P BU