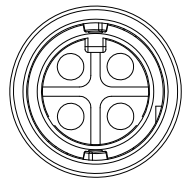
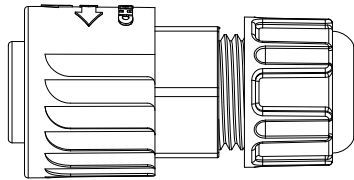
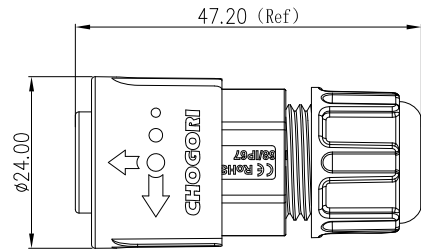
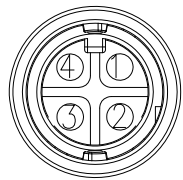


REV.	ECN NO.	DESCRIPTION	SIGN	DATE
C1	N/A	INITIAL DRAWING	Hary	2020/05/12



23XXX131-XX Cable Range OD  
 01 OD: φ3.5mm~φ6.5mm  
 02 OD: φ6.5mm~φ9.5mm

Pin Number



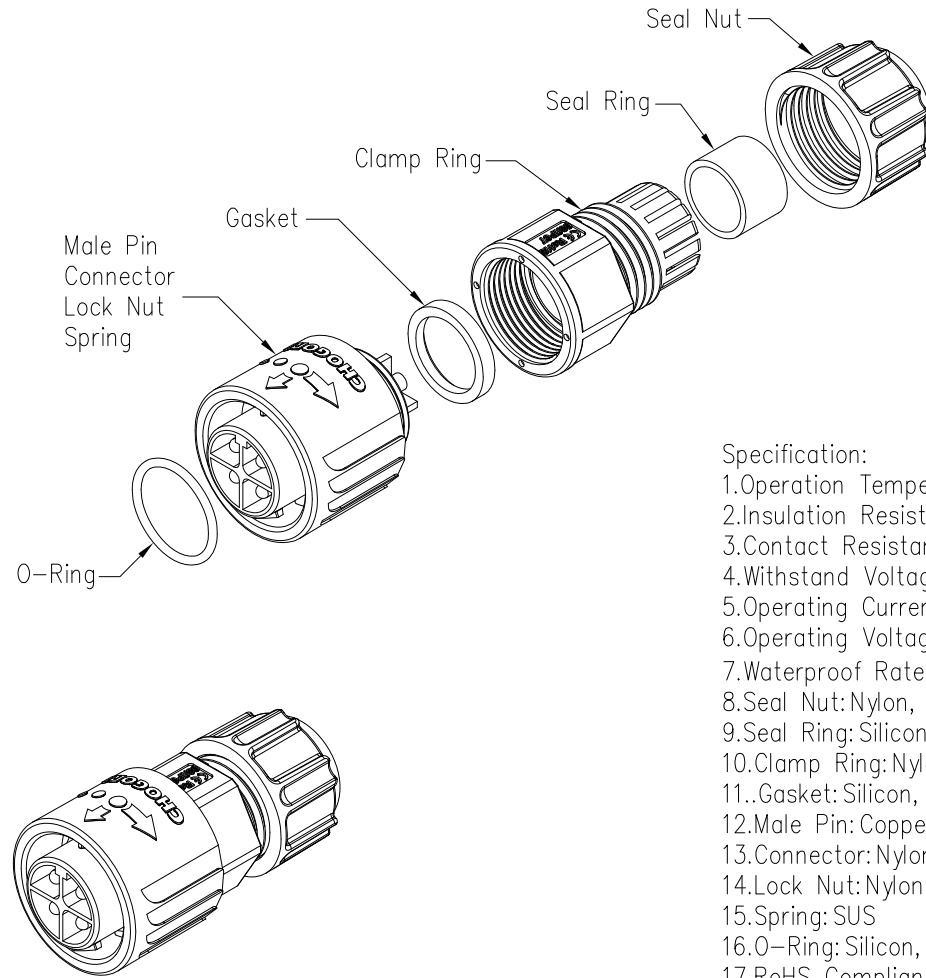
4 Pin

P/N: 23004131-XX

Pin Assignments  
Front View

UNIT: mm	
TOLERANCE	
.X	±0.25
.XX	±0.15
.XXX	±0.05
ANGLES	±1°

DESCRIPTION		Middle Series Push Lock Male Plug With Male Pin	
SCALE:	1:1	SHEET	1 OF 1
REV.	C1	SIZE	A4
		* :Inspection Item	



- Specification:
- 1.Operation Temperature: -45°C~105°C.
  - 2.Insulation Resistance: 100MΩ at DC500V.
  - 3.Contact Resistance: <10mΩ
  - 4.Withstand Voltage: 2000V AC
  - 5.Operating Current: 15A
  - 6.Operating Voltage: AC 300V
  - 7.Waterproof Rate: IP67 (Mated)
  - 8.Seal Nut: Nylon, Black
  - 9.Seal Ring: Silicon, Black.
  - 10.Clamp Ring: Nylon, Black
  - 11..Gasket: Silicon, Red
  - 12.Male Pin: Copper Alloy, Gold Plated
  - 13.Connector: Nylon+GF, Black
  - 14.Lock Nut: Nylon, Blue
  - 15.Spring: SUS
  - 16.O-Ring: Silicon, Red
  - 17.RoHS Compliant.
  - 18.Mating Cap: 804-00007-00

**CHOGORI**<sup>®</sup>

PART NO	23004131-XX	DRAWN BY	Hary	DATE	2020/05/12
DWG NO		CHECKED BY	Mo	DATE	2020/05/12
CUSTOMER		APPROVED BY	Panson	DATE	2020/05/12

THIS INFORMATION IS CONFIDENTIAL AND IS DISCLOSED TO YOU ON CONDITION THAT NO FURTHER DISCLOSURE IS MADE BY YOU TO OTHER THAN CHOGORI PERSONNEL WITHOUT AUTHORIZATION FROM CHOGORI CORP.