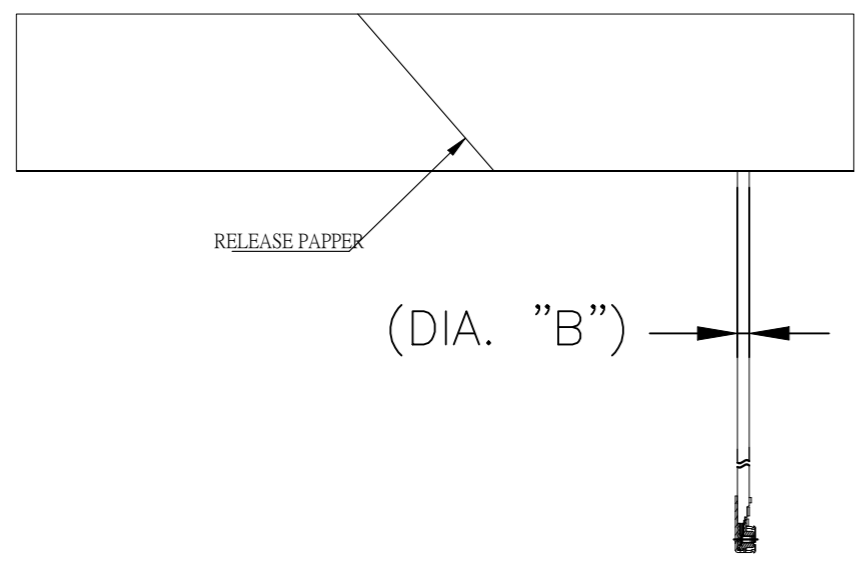
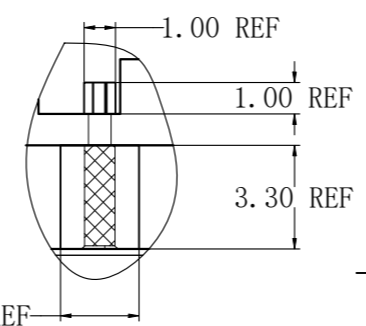


REVISIONS					
P	LTR	DESCRIPTION	DATE	DWN	APVD
	A3	UPDATE NAME	01FEB2021	DC	AC



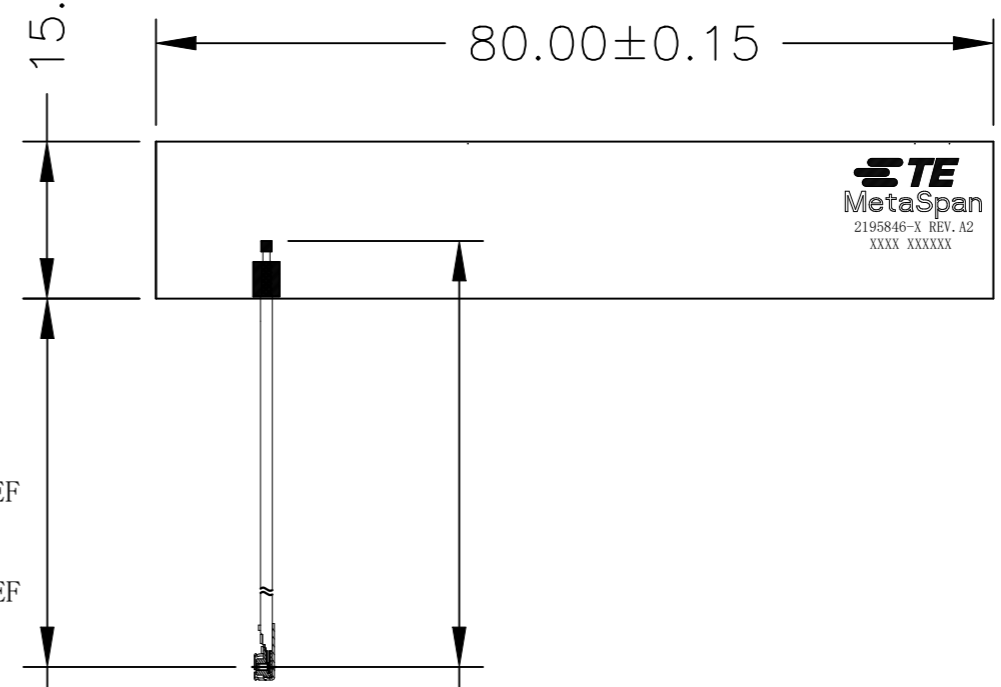
▼ 2.5 MAX  
(SOLDER HIEGHT)  
0.12±0.02  
(THICKNESS  
W/O RELEASE PAPPER)



SOLDER SIZE

Dim "A" + / - 3

(DIM "C")



- FABRICATE TO MEET IPC - 6013, CLASS 2.  
INSPECT TO MEET IPC - A - 600, CLASS 2.
- CONSULT TE CONNECTIVITY DATA SHEET DS2195846
- MATERIAL :PI FILM +DOUBLE SIDE ADHESIVE  
COAX CABLE DIA. 1.13 OR 1.37 I-PEX MHF-4L OR MHF TE APPROVED EQUIVALENT
- ▲ SILKSCREEN ; WHITE EXPOXY INK  
A. TE LOGO P/N  
B. WORD REV.,FOLLOWED BY THE LATEST REVISION LETTER AS SHOWN  
C. XXXX-SILKSCREEN, 4 DIGITS DATE CODE. FIRST 2 DIGITS FOR WEEK CODE AND THE 2ND TWO DIGITS FOR THE YOUR CODE  
D.OTHERS:SPECIFIC TE SOURCE CODE NUMBER DIGITS AS REQUIRED
- GENERAL TOLERANCE : +/- 0.2mm
- PACKAGING : SINGULATED PARTS TO BE SECURELY BAGE WRAPPED, BAGGED OR VACUUM PACKED IN BULK
- FINISH:  
A: SOLDERMASK BOTH SIDE ORANGE

	TE PNS	"A" LENGTH	"B" DIA.	CONNECTOR	"C" DIM.
1	2195846-1	50	1.37	MHF	56
2	2195846-2	100	1.37	MHF	106
3	2195846-3	150	1.37	MHF	156
4	2195846-4	200	1.37	MHF	206
5	2195846-5	50	1.13	MHF4 L	56
6	2195846-6	100	1.13	MHF4 L	106
7	2195846-7	150	1.13	MHF4 L	156
8	2195846-8	200	1.13	MHF4 L	206

THIS DRAWING IS A CONTROLLED DOCUMENT.		DWN DC HSIANG 19DEC2019	TE Connectivity														
DIMENSIONS: mm		CHK SHIN HOO 06JUN2020															
TOLERANCES UNLESS OTHERWISE SPECIFIED:		APVD AMOS CHEAH 06JUN2020	NAME FPC ANT, MHF/MHF4L, 50-200mm, 698-7125MHz														
<table border="1"> <tr><td>0 PLC</td><td>± -</td></tr> <tr><td>1 PLC</td><td>± -</td></tr> <tr><td>2 PLC</td><td>± -</td></tr> <tr><td>3 PLC</td><td>± -</td></tr> <tr><td>4 PLC</td><td>± -</td></tr> <tr><td>ANGLES</td><td>± -</td></tr> </table>		0 PLC	± -	1 PLC	± -	2 PLC	± -	3 PLC	± -	4 PLC	± -	ANGLES	± -	PRODUCT SPEC -	-		
0 PLC	± -																
1 PLC	± -																
2 PLC	± -																
3 PLC	± -																
4 PLC	± -																
ANGLES	± -																
MATERIAL -		FINISH -	APPLICATION SPEC -	-													
		WEIGHT 0	SIZE A3	CAGE CODE 00779	DRAWING NO C-2195846												
CUSTOMER DRAWING			RESTRICTED TO -	SCALE 1:1	SHEET 1 OF 1												
			REV A3														