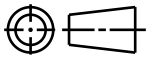
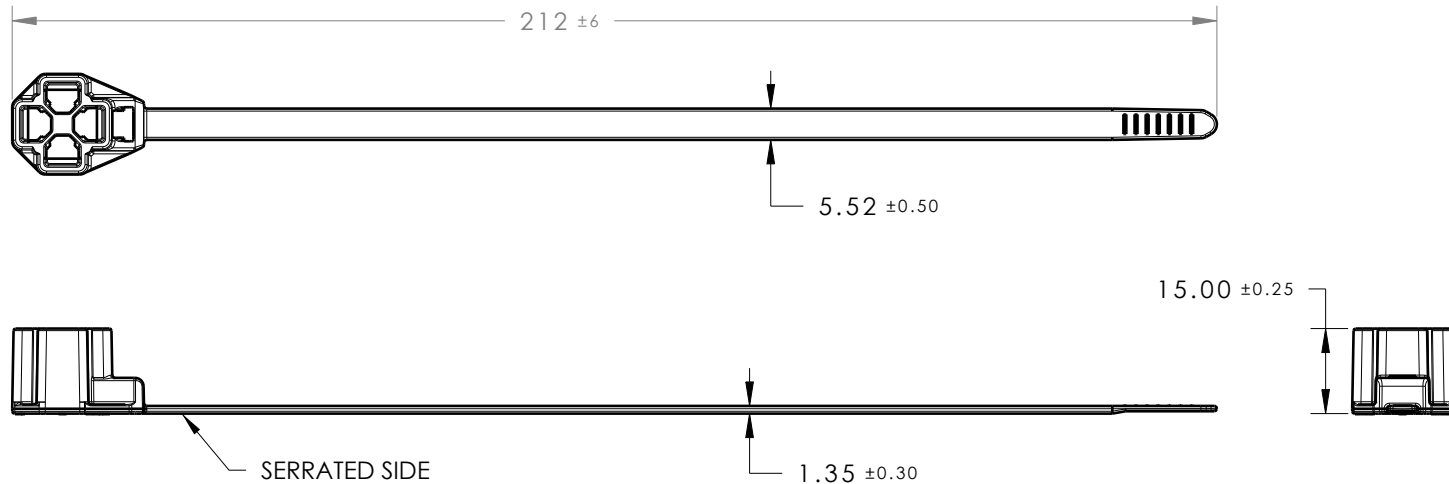


CATIA V5



Revision Level			Revision Record	Changed	Date	Approved	Date
Drawing	State	Part					
03.1	Design Release		SEE ECN# 014108	EJF	11/16/17	KVH	11/16/17

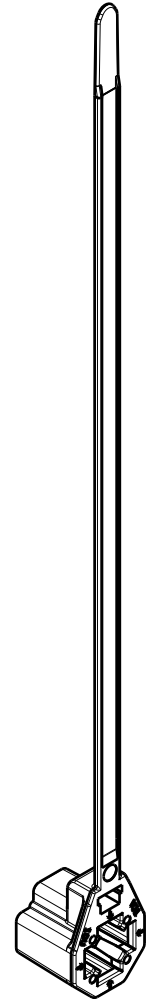
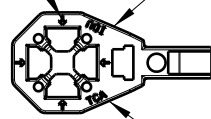


ARROWS POINT IN DIRECTION OF INSTALLATION

SERRATED SIDE

CAVITY ID TO BE LOCATED ON THIS SURFACE

TCA TO BE LOCATED ON THIS SURFACE



ISOMETRIC VIEW

PERFORMANCE REQUIREMENTS:

1. STUD MOUNT PUSH ON FORCE: 45 NEWTONS (10 LBS) MAX ON EACH APPLICABLE STUD SIZE AT DRY AS MOLDED
2. STUD MOUNT PULL OFF FORCE: 222 NEWTONS (50 LBS) MIN ON EACH APPLICABLE STUD SIZE AT 2.5% MOISTURE
3. APPLICABLE STUD SIZE:
  - A. M8 x 1.25
4. CABLE TIE MIN LOOP TENSILE STRENGTH: 355 NEWTONS (80LBS)
5. BUNDLE RANGE: 3.5MM TO 50MM
6. MAXIMUM PERCENT REGRIND PERMISSIBLE: 25%
7. MAX ALLOWABLE FLASH OR MISMATCH TO BE 0.5MM

MATERIAL	COLOR
PA66HIRHS	BLACK
PA46	BROWN

Material SEE CHART COLOR: SEE CHART	Units	millimeters	Drawn	EJF	10/7/16	Article/Type-No	T80ROSSB8U	Scale	3:4	
	Tolerance defined on each dimension	The copyright of this drawing is reserved by HellermannTyton. It is issued on condition that it is not reproduced, copied or disclosed to a third party, either wholly or in part, without the consent of HellermannTyton.		Approved	KVH		10/7/16	Title	M8 STUD MOUNT WITH 80LB CABLE TIE	Project Number
			<b>HellermannTyton</b> North America Email: corp@htamericas.com Web: www.hellermann.tyton.com			Drawing-No	16-0334-001-CSU	Production : Phase	Format	AH
						Sheet	1/1			