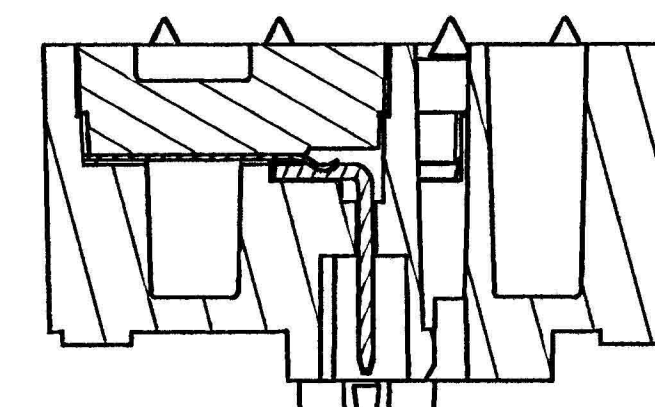
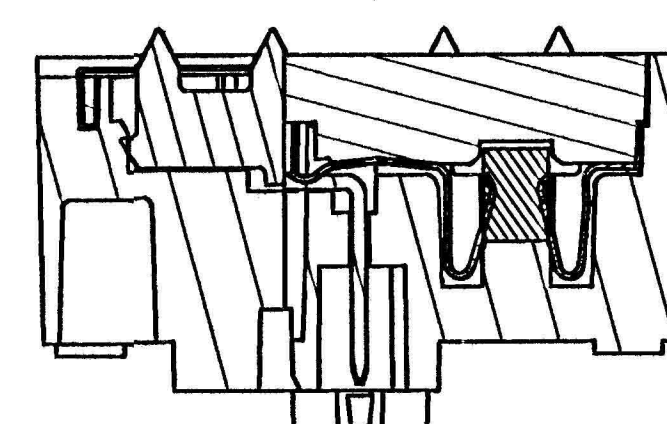
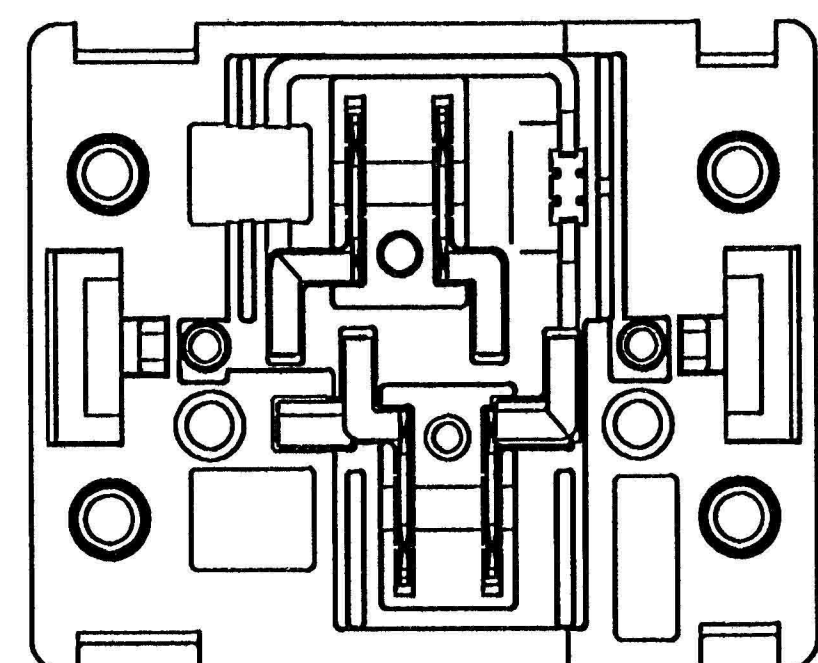
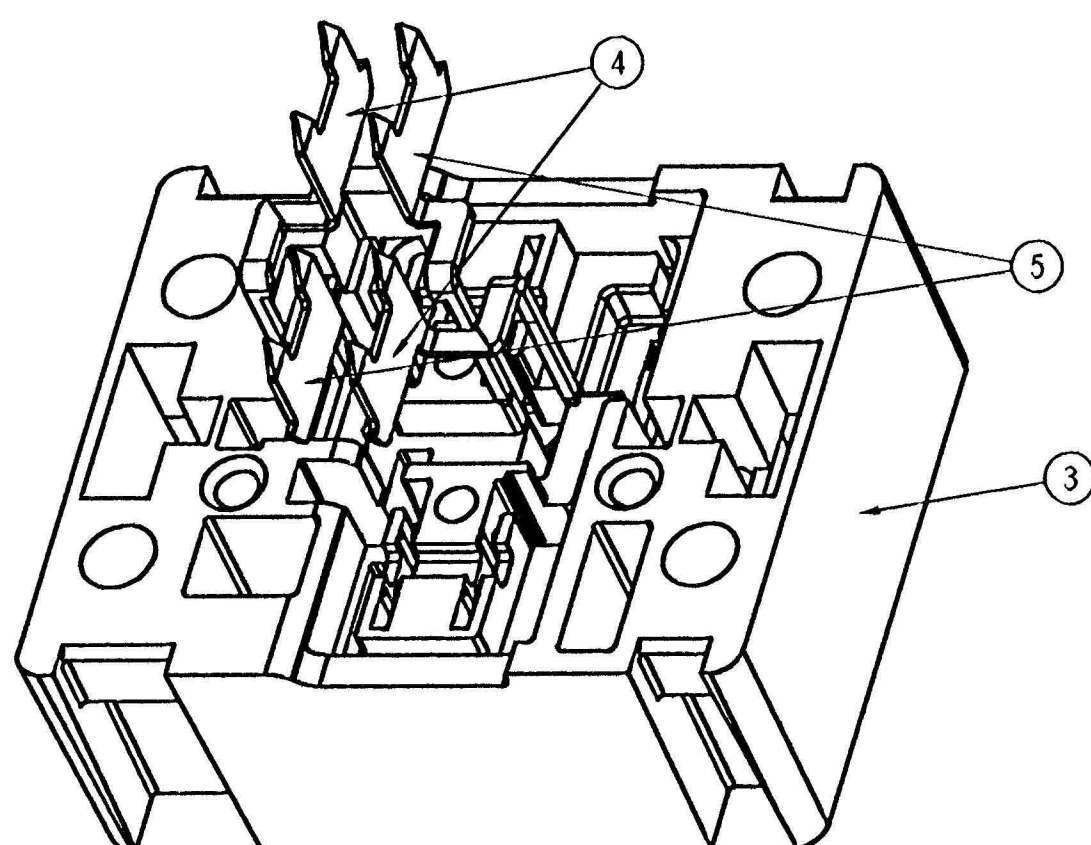


VIEW: "DIN DETAIL"



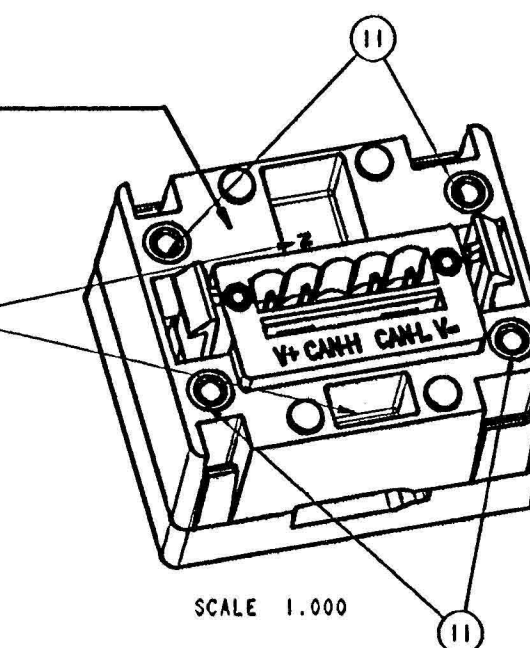
SECTION H-H



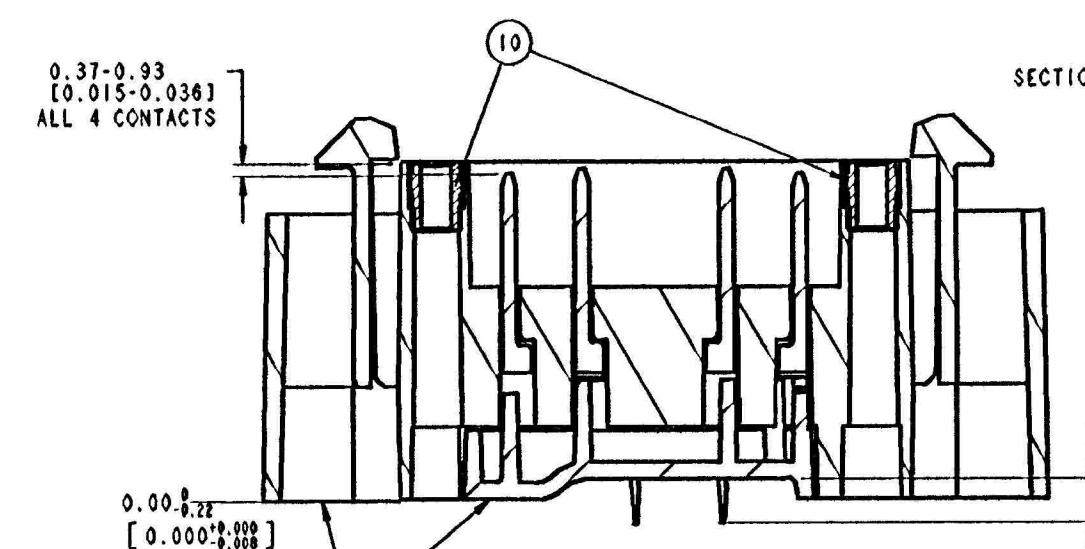
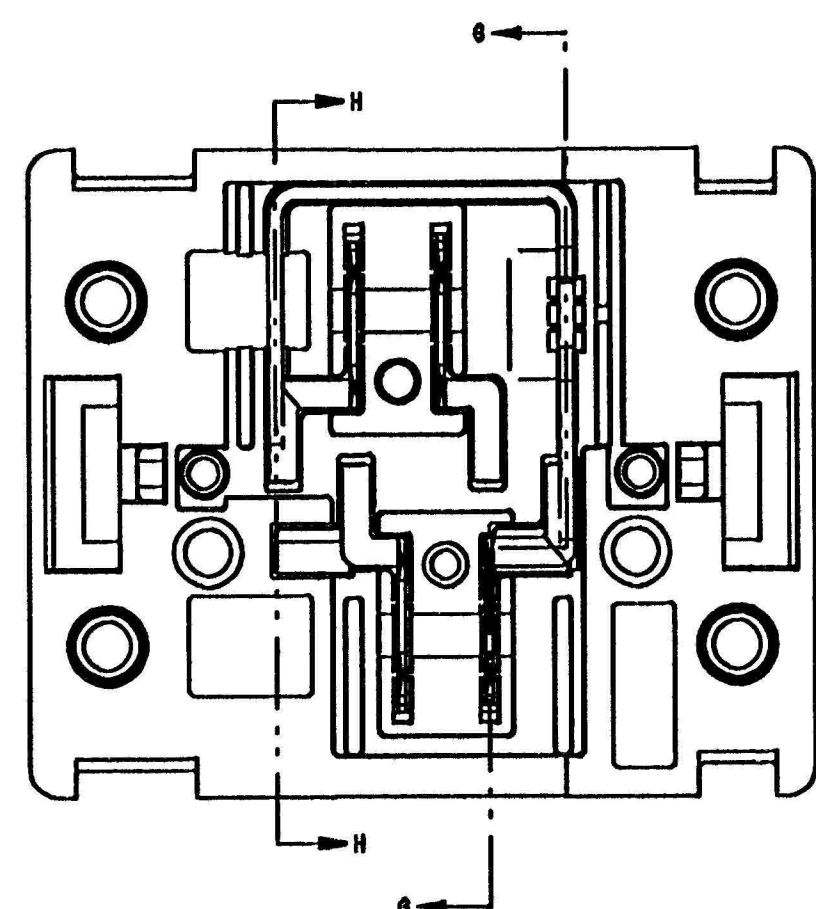
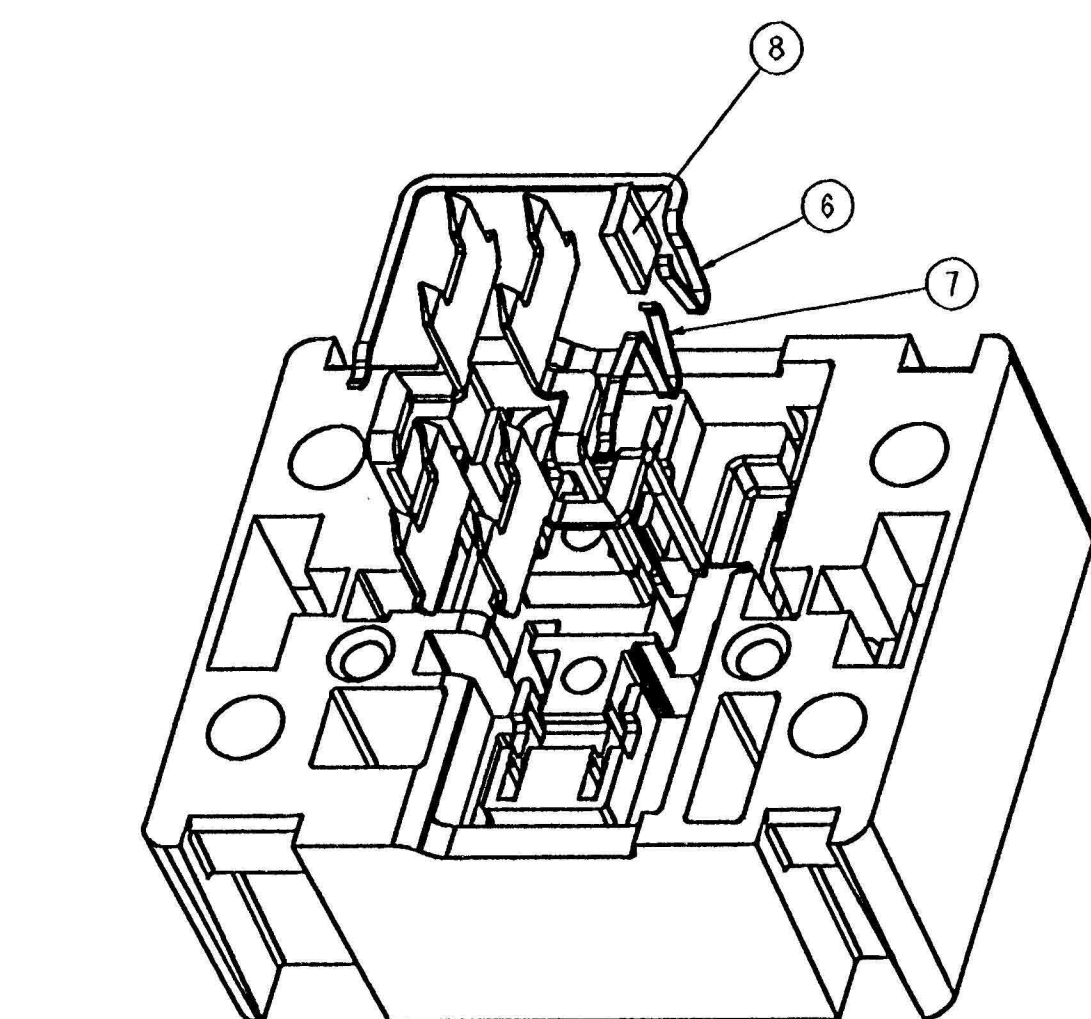
SECTION G-G

PUT IP1884 ON THE TOP (SEE IP1878)

SEE NOTE 7



SCALE 1.000

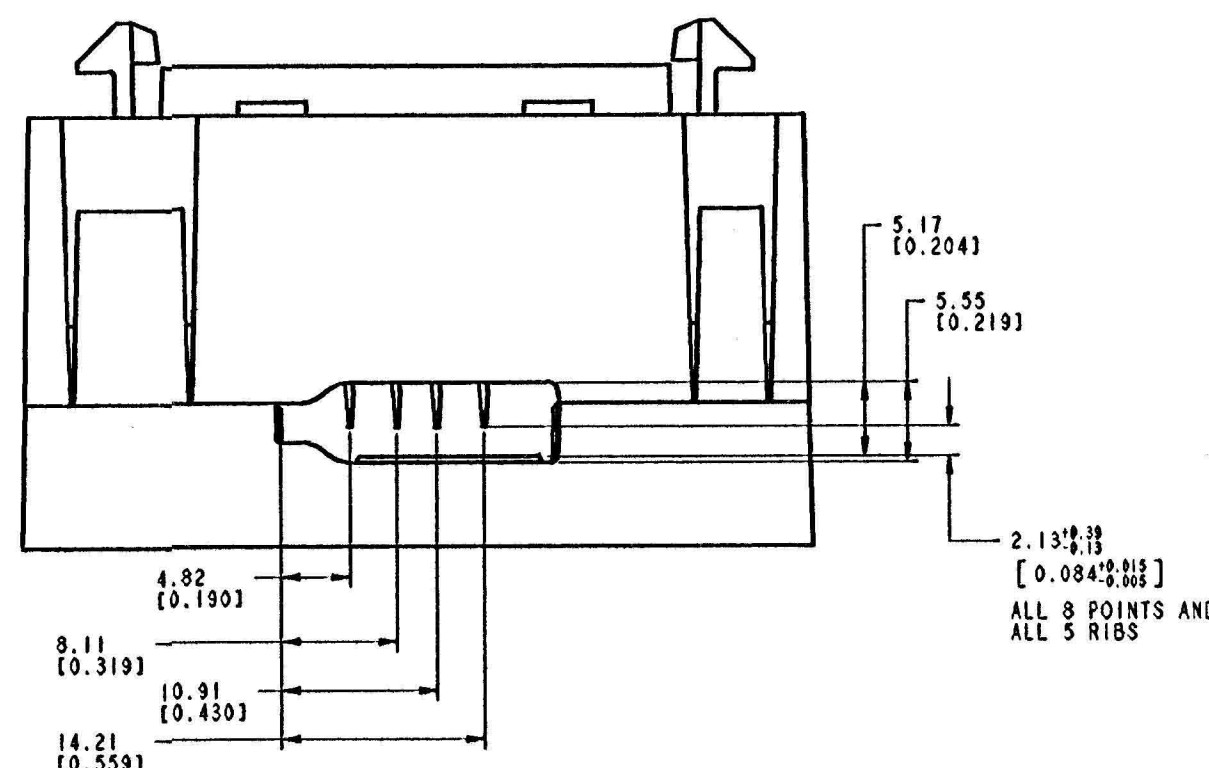


SECTION B-B

0.37-0.93
[0.015-0.036]
ALL 4 CONTACTS

3.04^{+0.02}_{-0.02}
[0.120^{+0.002}_{-0.002}]
ALL 8 POINTS
SEE NOTE 6

INTERNAL COVER MUST BE FLUSH OR BELOW HOUSING WHEN WELDED (SEE ABOVE DIMENSION AND NOTE 5)



5.17^{+0.04}
[0.204]

5.55^{+0.02}
[0.219]

2.13^{+0.02}
[0.084^{+0.002}_{-0.002}]
ALL 8 POINTS AND ALL 5 RIBS

4.82
[0.190]

8.11
[0.319]

10.91
[0.430]

14.21
[0.559]

- NOTES:
- 1) EGG-CRATE PACK THE BOTTOM COVER ASSEMBLY AND THE MAIN HOUSING ASSEMBLY SIDE BY SIDE IN A CELL.
 - 2) ENSURE THAT THE SNAPS ON THE BOTTOM COVER AND THE HOUSING ARE NOT BROKEN PRIOR TO PACKING.
 - 3) INSULATION PIERCING CONTACTS ARE SHARP. BE CAREFUL!
 - 4) ASSEMBLIES ARE PACKED 72 PER BOX ONLY. ORDER QTY'S MUST BE IN MULTIPLES OF 72.
 - 5) TO MEASURE IF COVER IS FLUSH, MEASURE FROM/TO POINTS A-D, B-11, C-12, D-13 AS SHOWN IN VIEW "DIN DETAIL". MAX ALLOWABLE RISE OF COVER ABOVE FLUSH IS 0.017" AT ANY ONE POINT. ALSO, 0.020" IS MAX TOTAL ACCUMULATED RISE AT ALL 4 POINTS.
 - 6) TO MEASURE CONTACT POINTS, MEASURE FROM POINT MARKED X TO POINTS 1 THRU 4 AND FROM POINT MARKED Y TO POINTS 5 THRU 8 AS SHOWN IN VIEW "DIN DETAIL".
 - 7) THE "2" IS ENGRAVED TO BE A VISUAL INDICATOR THAT ALL ASSEMBLIES WITH THE "2" UTILIZE THE NEW CAPACITOR LEADS (8105-7097 & -7098 REV.2+). THE "A" OR "B" IN THE HOUSING IS AN INDICATOR OF WHICH CORE MADE THE HOUSING.