

FACE VIEW-FEMALE INSERT				
1-WHITE 2-BLACK	1-GREEN / YELLOW 2-BLACK 3-WHITE	1-BLACK 2-WHITE 3-RED 4-GREEN / YELLOW	1-WHITE 2-RED 3-GREEN / YELLOW 4-ORANGE 5-BLACK	1-WHITE 2-RED 3-GREEN / YELLOW 4-ORANGE 5-BLACK 6-BLUE

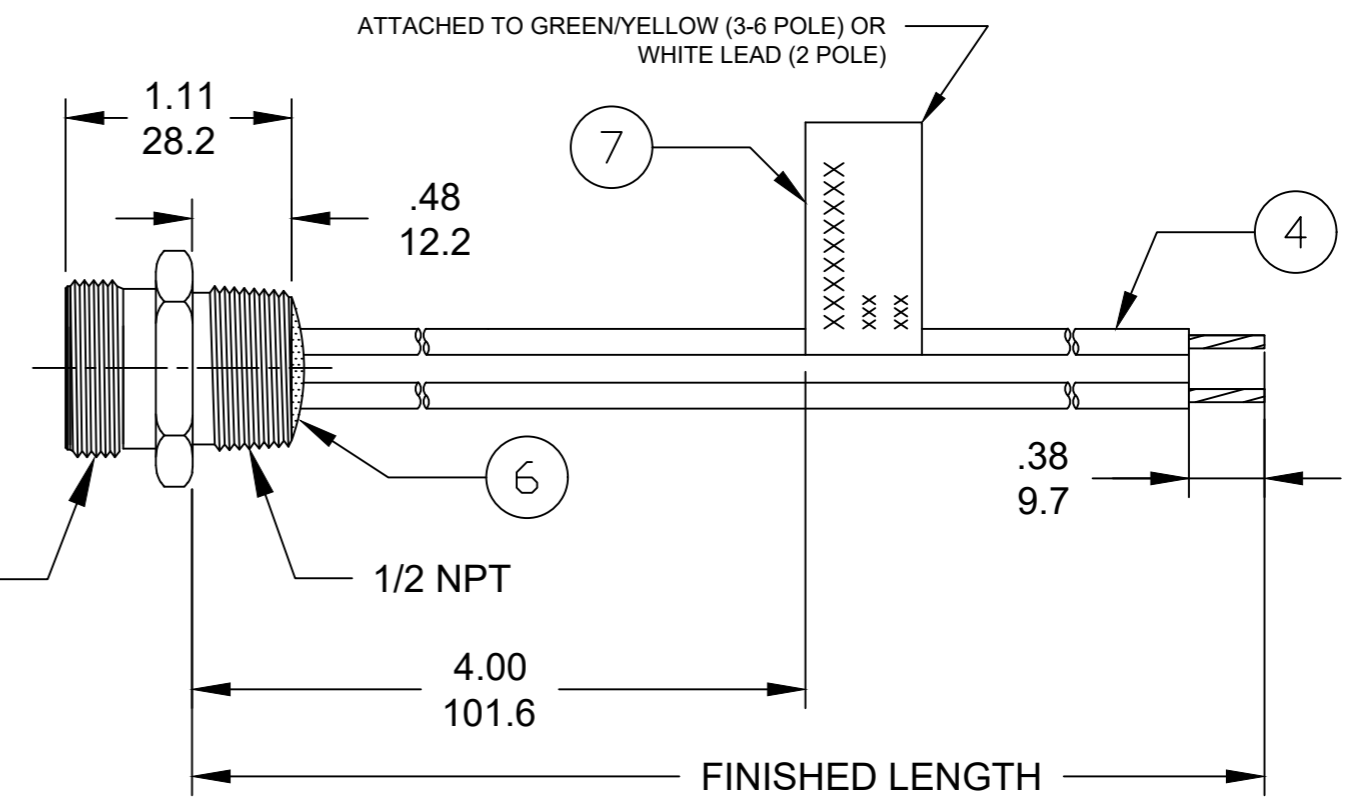
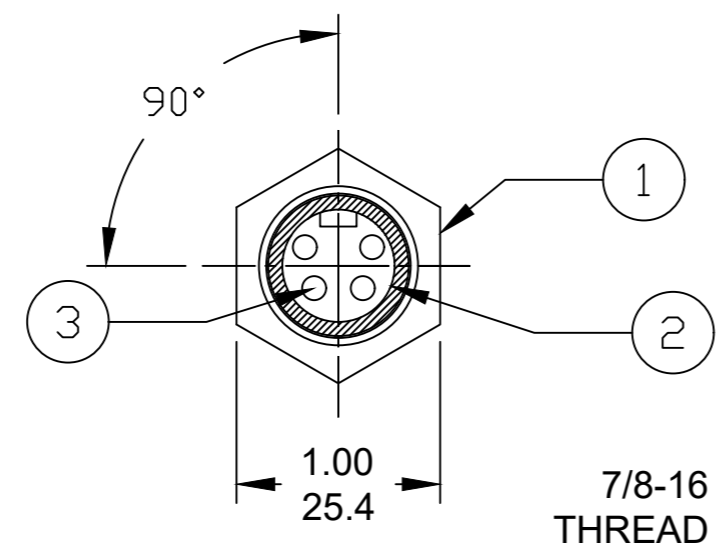
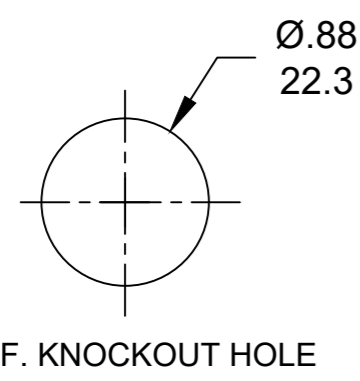
PART NO. MATRIX

1R3004A20F020

↑ POLES 2-6 ↑ FINISHED LENGTH:
A120= 12 IN.
F020= 2 FEET
F100= 10 FEET

M005= 0.5 METER
M010= 1 METER
M100= 10 METER

CABLE LENGTH TOLERANCES	
>.3M [1FT]:	+19mm-0 [+.75in-0]
.3 - .9M [1 - 3FT]:	+44.5mm-0 [+1.75in-0]
.9 - 1.8M [3 - 6FT]:	+55.6mm-0 [+2.19in-0]
1.8 - 3.7M [6 - 12FT]:	+88.9mm-0 [+3.50in-0]
3.7 - 7.3M [12 - 24FT]:	+165.1mm-0 [+6.50in-0]
7.3-14.6M [24 - 48FT]:	+317.5mm-0 [+12.50in-0]
14.6 - 30.5M [48-100FT]:	+622.3mm-0 [+24.50in-0]
OVER 30M [100FT]	+2% OF FINISHED LENGTH



- NOTES:
1. MATERIAL: SEE TABLE
 2. FINISH: SEE TABLE
 3. ELECTRICAL:
VOLTAGE: 2P THRU 6P 600V PER UL 2238
2 & 3P 500V PER IEC60664
4P 483V PER IEC60664
5 & 6P 400V PER IEC60664
CURRENT: 2P & 3P: 13A
4P: 10A
5P & 6P: 8A
 4. TEMP RATING: -20°TO +105°C
 5. PROTECTION: IP67 (WHEN MATED)
 6. UL RECOGNIZED, FILE: E152210
CSA CERTIFIED, FILE: LR6837 (B)
 7. ALL DIMENSIONS ARE FOR REFERENCE UNLESS TOLERANCED OR NOTED OTHERWISE

PART NO	ENGINEERING NO.	FINISHED LENGTH
1300130060	1R2004A20A120	12 IN [0.3M]
1300130148	1R3004A20F060	6 FT [1.8M]
1300130457	1R5004A20F120	12 FT [3.6M]
1300131011	1R6004A20M040	4.0M [13 FT 1 IN]
1300130007	1R4004A20M060	6.0M [19 FT 8 IN]

ITEM	DESCRIPTION	MATERIAL	FINISH
6	FLAG LABEL	VINYL	BLACK/YELLOW
5	POTTING MATERIAL	EPOXY	
4	WIRE, 16 AWG UL (1015)	PVC INSULATION	SEE FACE VIEW
3	CONTACT SOCKET	COPPER ALLOY	GOLD PLATED
2	FEMALE INSERT	TPE	YELLOW (B)
1	RECEPTACLE SHELL	ZINC DIE-CAST	BLACK
ITEM	DESCRIPTION	MATERIAL	FINISH

FUNCTIONAL SYMBOLS F/A=0 F/C=0 F/P=0	THIS DRAWING CONTAINS INFORMATION THAT IS PROPRIETARY TO MOLEX ELECTRONIC TECHNOLOGIES, LLC AND SHOULD NOT BE USED WITHOUT WRITTEN PERMISSION		CURRENT REV DESC: ITEM #2 WAS PVC, CSA ADDED IN NOTES & MATERIAL TABLE MODIFIED	
	DIMENSION UNITS	SCALE	EC NO: 641453	
	INCH/MM	---	DRWN: ABENJAMINLW	2020/05/21
	GENERAL TOLERANCES (UNLESS SPECIFIED)		CHK'D: RSTONE	2020/07/20
DIVISIONAL SYMBOLS	4 PLACES	±---	APPR: BWOODMAN	2020/07/27
	3 PLACES	±---	INITIAL REVISION:	
	2 PLACES	±---	DRWN: RSTONE	2016/12/05
	1 PLACE	±---	APPR: BWOODMAN	2017/01/16
0 PLACES	±---	ANGULAR TOL ± 0.5°		
DRAFT WHERE APPLICABLE MUST REMAIN WITHIN DIMENSIONS		THIRD ANGLE PROJECTION	DRAWING	SERIES
			B-SIZE	130066
		MATERIAL NUMBER	CUSTOMER	SHEET NUMBER
		SEE_CHART	GENERAL MARKET	1 OF 1

molex

MINI-CHANGE RECEPTACLE, A-SIZE
2-6P, FEMALE, STRAIGHT, SINGLE KEY,
16 AWG

PRODUCT CUSTOMER DRAWING

DOCUMENT NUMBER: SD-130013-121 DOC TYPE: PSD DOC PART: 001 REVISION: B