

6

5

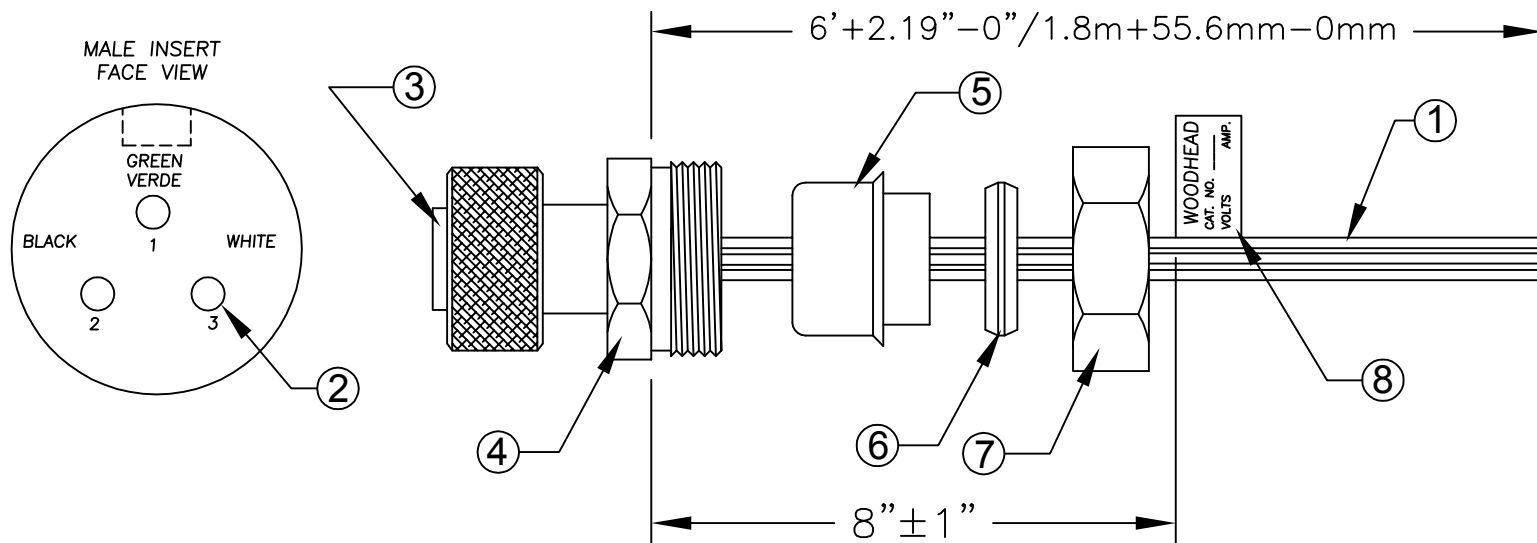
4

3

2

1

ITEM	DESCRIPTION	MATERIAL	FINISH
1	CONDUCTOR	PVC	SEE WIRING DIAGRAM
2	# 16 MALE PIN	COPPER ALLOY	GOLD PLATED
3	3 POLE MALE INSERT	PVC	YELLOW
4	RCPT LIQUID TIGHT	STEEL	ZINC PLATED
5	FERRULE, METAL	STEEL	ZINC PLATED
6	FERRULE, PLASTIC	NYLON	WHITE
7	CLAMP NUT	STEEL	ZINC PLATED
8	LABEL	PLASTIC FILM	BLACK/YELLOW



PART #	ENGINEERING NUMBER
130006-2102	41037

RELEASE DRAWING EC NO: WNA2010-0134 DRWN: TVICKERS 8/25/09 CHKD: B.WOODMA APPR: DTITUS 2009/08/31	QUALITY SYMBOLS
	$\nabla = 0$ $\nabla C = 0$
	DESCRIPTION
	REV

GENERAL TOLERANCES (UNLESS SPECIFIED)	
	mm INCH
4 PLACES	±.005 ±.002
3 PLACES	±.010 ±.005
2 PLACES	±.015 ±.010
1 PLACE	±.020 ±.020
ANGULAR ±.5°	
DRAFT WHERE APPLICABLE MUST REMAIN WITHIN DIMENSIONS	

DIMENSION STYLE INCH	
DRAWN BY	DATE
TV	2009/08/25
CHECKED BY	DATE
B.WOODMA	2009/08/25
APPROVED BY	DATE
DTITUS	2009/08/28
MATERIAL NO.	SEE CHART
SIZE	A

SCALE NTS	DESIGN UNITS INCH	THIRD ANGLE PROJECTION
TITLE MC 3P MP LIQUID TIGHT		
MOLEX INCORPORATED		
DOCUMENT NO. SD-130062-001	SHEET NO. 1 OF 1	
THIS DRAWING CONTAINS INFORMATION THAT IS PROPRIETARY TO MOLEX INCORPORATED AND SHOULD NOT BE USED WITHOUT WRITTEN PERMISSION		

6

5

4

3

2

1