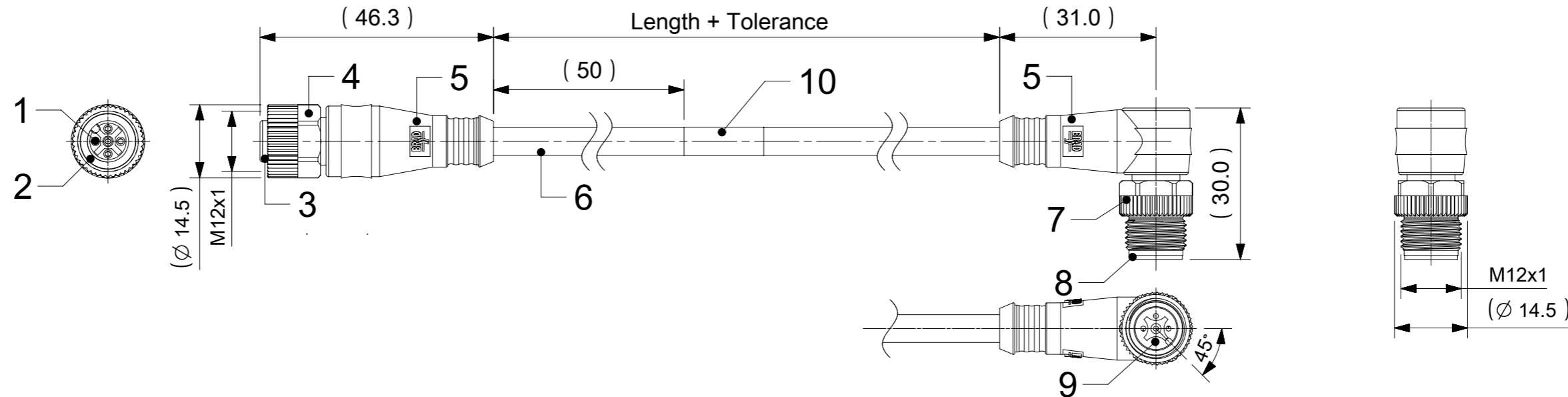
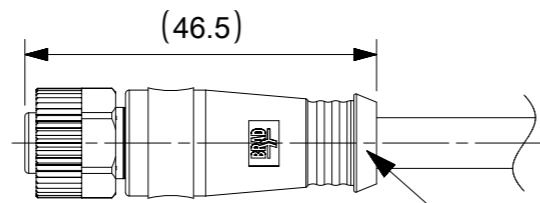


FEMALE PLUG M12 STRAIGHT TO MALE PLUG M12 90° ANGLED

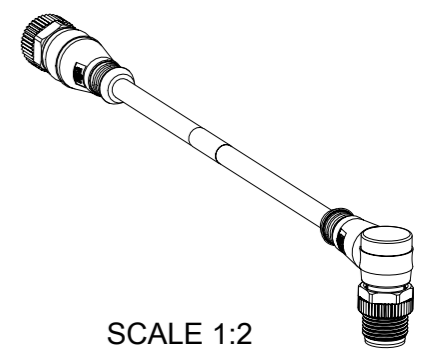
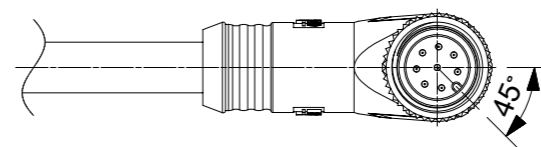
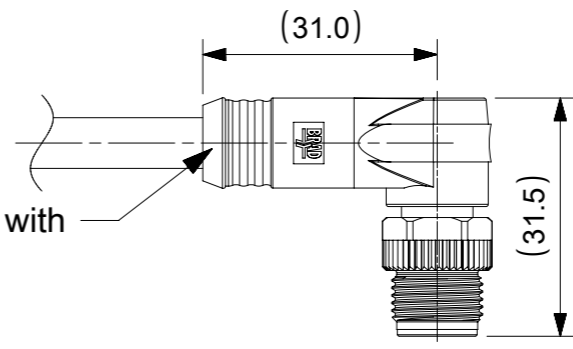


NOTES:

RATED VOLTAGE: 3, 4 contacts 250V
 5 contacts 60V
 8 contacts 30V
 RATED CURRENT: 3, 4, 5 contacts 4A
 8 contacts 2A
 PROTECTION CLASS: IP 67
 TEMPERATURE: -25°C / +85°C



Thicker Overmold for Cables with bigger Outer Diameter



CONTACTS POSITION FRONT VIEW:

| CABLE | 3 CONTACTS | 4 CONTACTS | 5 CONTACTS | 5 CONTACTS | 8 CONTACTS | | | | | |
|-------------|------------|--------------------|--------------------|------------|------------|-------|-----|--------------|-----|--------|
| | B30, B55 | B30, B33, B36, B55 | B30, B33, B36, B55 | B42 | B41, B49 | | | | | |
| FEMALE | | | | | | | | | | |
| MALE | | | | | | | | | | |
| CONNECTIONS | PIN | WIRE | PIN | WIRE | PIN | WIRE | PIN | WIRE | PIN | WIRE |
| | 1 | BROWN | 1 | BROWN | 1 | BROWN | 1 | BROWN | 1 | WHITE |
| | 2 | --- | 2 | WHITE | 2 | WHITE | 2 | WHITE | 2 | BROWN |
| | 3 | BLUE | 3 | BLUE | 3 | BLUE | 3 | BLUE | 3 | GREEN |
| | 4 | BLACK | 4 | BLACK | 4 | BLACK | 4 | BLACK | 4 | YELLOW |
| | 5 | --- | 5 | --- | 5 | GREY | 5 | GREEN/YELLOW | 5 | GREY |
| | | | | | | | 5 | GREEN/YELLOW | 6 | PINK |
| | | | | | | | | | 7 | BLUE |
| | | | | | | | | 8 | RED | |

CODING REQUIRED TO IEC 61076-2-101

FOR OPTIONS SEE - NUMERICAL CODE - ON SHEET 2

| ITEM | QTY. | DESCRIPTION | MATERIAL | FINISH |
|------|----------------|--------------------------|-------------|----------------|
| 11 | SEE PN MATRIX | I/D CARRIER | PVC | TRANSPARENT |
| 10 | 1 | LABEL YELLOW | VINYL | --- |
| 9 | 8 3 / 4 / 5 | CONTACT M12 MALE | BRASS | SELECTIVE GOLD |
| | | | COPPER | OVER NICKEL |
| 8 | 1 | INSERT MALE BLACK | TPU | --- |
| 7 | 1 | COUPLING NUT MALE SW13 | BRASS | NICKEL |
| 6 | - | CABLE | SEE SHEET 2 | --- |
| 5 | - | OVERMOULDING BLACK | TPU | --- |
| 4 | 1 | COUPLING NUT FEMALE SW13 | BRASS | NICKEL |
| 3 | 1 | INSERT FEMALE BLACK | TPU | --- |
| 2 | 1 | ORING RED | FPM | --- |
| 1 | 8 3 / 4 / 5 | CONTACT M12 FEMALE | BRASS | SELECTIVE GOLD |
| | | | BRONZE | OVER NICKEL |

THIS DRAWING CONTAINS INFORMATION THAT IS PROPRIETARY TO MOLEX ELECTRONIC TECHNOLOGIES, LLC AND SHOULD NOT BE USED WITHOUT WRITTEN PERMISSION

DIMENSION UNITS: mm SCALE: 1:1
 GENERAL TOLERANCES (UNLESS SPECIFIED):
 ANGULAR TOL: ± 1.0°
 4 PLACES: ±
 3 PLACES: ±
 2 PLACES: ± 0.05
 1 PLACE: ± 0.3
 0 PLACES: ± 0.5

EC NO: 732259
 DRWN: SANTHN 2022/12/15
 CHK'D: GGA 2022/12/21
 APPR: GGA 2022/12/21

INITIAL REVISION:
 DRWN: JMARSZALEK 2016/10/17
 APPR: RSILLER 2016/10/18

DOCUMENT NUMBER: 1200668920 DOC TYPE: PSD DOC PART: 000 REVISION: A3
 MATERIAL NUMBER: SEE PART LIST CUSTOMER: GENERAL MARKET SHEET NUMBER: 1 OF 3

DRAFT WHERE APPLICABLE MUST REMAIN WITHIN DIMENSIONS THIRD ANGLE PROJECTION DRAWING: A3-SIZE SERIES: 120066

molex

CSE M12 XP AC FE RA WSOR MA RA XM DE

PRODUCT CUSTOMER DRAWING

ENGINEERING NO. - NUMERICAL CODE (Available parts see PART LIST table. Other parts available upon request).

OPTIONS

8 8 X 0 3 2 X X X X X X X X

88=M12x1
Double ended

Poles:
3=3 Contacts
4=4 Contacts
5=5 Contacts
8=8 Contacts

Heads style:
032=Plug Female Straight
to Plug Male 90°

Cable type: See Table

Units:
M=Meter
C=Centimeter

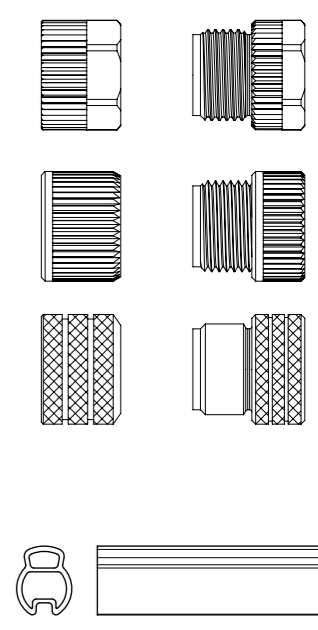
Length
Examples:
005=0.5 unit
010=1 unit
100=10 unit

Overmold color:
Blank (Standard)=Black
A=Grey / G=Black / Y=Yellow / R=Red

Coupling Nut:
Blank (Standard)=Knurled/Hex Brass, Ni Plated
5=Knurled Derlin
7=Knurled Brass Ni Plated, Teflon Coated

H= 2 pcs. of I/D Carrier PVC Transparent
(Cables B36 always with 2 pcs. I/D Carrier)

COUPLING NUT
FEMALE MALE



CABLE INFORMATION (for more information see Cable Data Sheet).

| CABLE TYPE | NO. OF WIRES | CROSS SECTION | CABLE JACKET | UL | CSA | STATIC: TEMP. / BENDING RADIUS | DYNAMIC: TEMP. / BENDING RADIUS | DRAG CHAIN: TEMP. / BENDING RADIUS | DRAG CHAIN | CABLE PRODUCT SPECIFICATION | CABLE SPEC. DRAWING |
|------------|--------------|---------------------|--------------|--------------|-------------------------|--------------------------------|---------------------------------|------------------------------------|--|-----------------------------|---------------------|
| B30 | 3 / 4 / 5 | 0.34mm ² | TPU Black | UL 21215/758 | C22.2 I/II A/B 80°/600V | -40°C to +90°C >5xO.D. | -25°C to +80°C >7.5xO.D. | -5°C to +60°C >7.5xO.D. | up to 5 000 000 cycles at temp 20°C | 1552200001 | SD-120209-001 |
| B33 | 4 / 5 | 0.34mm ² | TPU Gray | | | | | | | | SD-120209-001 |
| B36 | 4 / 5 | 0.34mm ² | TPU Orange | | | | | | | | SD-120209-001 |
| B41 | 8 | 0.25mm ² | TPU Black | | | | | | | | SD-120209-006 |
| B42 | 5 | 0.34mm ² | TPU Black | | | | | | | | SD-120209-001 |
| B49 | 8 | 0.25mm ² | TPU Orange | | | | | | | | SD-120209-006 |
| B55 | 3 / 4 / 5 | 0.34mm ² | TPU Yellow | | | | | | | | n/a |

CABLE LENGTH TOLERANCES

| LENGTH | TOLERANCE |
|----------|------------|
| 0m-1m | +40 mm |
| >1m-5m | +60 mm |
| >5m-10m | +80 mm |
| >10m-20m | +140 mm |
| >20m-30m | +160 mm |
| >30m | +1% length |

THIS DRAWING CONTAINS INFORMATION THAT IS PROPRIETARY TO MOLEX ELECTRONIC TECHNOLOGIES, LLC AND SHOULD NOT BE USED WITHOUT WRITTEN PERMISSION

| | | | | | |
|--|---------------------|---|--------------------------|----------------|----------|
| DIMENSION UNITS mm | SCALE 1:1 | CURRENT REV DESC: REMOVED OBSOLETE PART NUMBER AS PER PCN#512871. | molex | | |
| GENERAL TOLERANCES (UNLESS SPECIFIED) | | | | | |
| ANGULAR TOL | ± 1.0 ° | EC NO: 732259 | PRODUCT CUSTOMER DRAWING | | |
| 4 PLACES | ± | DRWN: SANTHN 2022/12/15 | DOCUMENT NUMBER | | |
| 3 PLACES | ± | CHK'D: GGA 2022/12/21 | 1200668920 | | |
| 2 PLACES | ± 0.05 | APPR: GGA 2022/12/21 | DOC TYPE | DOC PART | REVISION |
| 1 PLACE | ± 0.3 | INITIAL REVISION: | PSD | 000 | A3 |
| 0 PLACES | ± 0.5 | DRWN: JMARSZALEK 2016/10/17 | SHEET NUMBER | | |
| DRAFT WHERE APPLICABLE MUST REMAIN WITHIN DIMENSIONS | | APPR: RSILLER 2016/10/18 | MATERIAL NUMBER | CUSTOMER | |
| THIRD ANGLE PROJECTION | | DRAWING | SERIES | | |
| A3-SIZE | | 120066 | SEE PART LIST | GENERAL MARKET | 2 OF 3 |


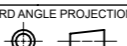
PART LIST

| No. | Part No. | Engineering No. | Cable Length |
|-----|------------|-----------------|--------------|
| 1 | 1200668918 | 883032B30M006 | 0.6m |
| 2 | 1200668919 | 883032B30M010 | 1m |
| 3 | 1200668920 | 883032B30M020 | 2m |
| 4 | 1200668921 | 883032B30M030 | 3m |
| 5 | 1200668922 | 883032B30M050 | 5m |
| 6 | 1200668923 | 883032B30M100 | 10m |
| 7 | 1200668924 | 884032B30M006 | 0.6m |
| 8 | 1200668925 | 884032B30M010 | 1m |
| 9 | 1200668926 | 884032B30M020 | 2m |
| 10 | 1200668927 | 884032B30M030 | 3m |
| 11 | 1200668928 | 884032B30M050 | 5m |
| 12 | 1200668929 | 884032B30M100 | 10m |
| 13 | 1200668930 | 885032B42M006 | 0.6m |
| 14 | 1200668931 | 885032B42M010 | 1m |
| 15 | 1200668932 | 885032B42M020 | 2m |
| 16 | 1200668933 | 885032B42M030 | 3m |
| 17 | 1200668934 | 885032B42M050 | 5m |
| 18 | 1200668935 | 885032B42M100 | 10m |
| 19 | 1200669003 | 885032B30M006 | 0.6m |
| 20 | 1200669004 | 885032B30M010 | 1m |
| 21 | 1200669005 | 885032B30M020 | 2m |
| 22 | 1200669006 | 885032B30M030 | 3m |
| 23 | 1200669007 | 885032B30M050 | 5m |
| 24 | 1200669008 | 885032B30M100 | 10m |
| 25 | 1200669075 | 884032B36M0057Y | 0.5m |
| 26 | 1200669076 | 884032B36M0107Y | 1m |
| 27 | 1200669077 | 884032B36M0157Y | 1.5m |
| 28 | 1200669078 | 884032B36M0207Y | 2m |
| 29 | 1200669079 | 884032B36M0307Y | 3m |
| 30 | 1200669080 | 884032B36M0407Y | 4m |
| 31 | 1200669081 | 884032B36M0507Y | 5m |
| 32 | 1200669082 | 884032B36M0607Y | 6m |
| 33 | 1200669083 | 884032B36M0807Y | 8m |
| 34 | 1200669084 | 884032B36M1007Y | 10m |
| 35 | 1200669085 | 884032B36M1207Y | 12m |

| No. | Part No. | Engineering No. | Cable Length |
|-----|------------|-----------------|--------------|
| 36 | 1200669086 | 884032B36M1507Y | 15m |
| 37 | 1200669087 | 884032B36M2007Y | 20m |
| 38 | 1200669088 | 884032B36M2507Y | 25m |
| 39 | 1200669089 | 884032B36M3007Y | 30m |
| 40 | 1200669090 | 885032B36M0057Y | 0.5m |
| 41 | 1200669091 | 885032B36M0107Y | 1m |
| 42 | 1200669092 | 885032B36M0207Y | 2m |
| 43 | 1200669093 | 885032B36M0307Y | 3m |
| 44 | 1200669094 | 885032B36M0407Y | 4m |
| 45 | 1200669095 | 885032B36M0507Y | 5m |
| 46 | 1200669096 | 885032B36M0607Y | 6m |
| 47 | 1200669097 | 885032B36M0807Y | 8m |
| 48 | 1200669098 | 885032B36M1007Y | 10m |
| 49 | 1200669099 | 885032B36M1207Y | 12m |
| 50 | 1200669100 | 885032B36M1507Y | 15m |
| 51 | 1200669101 | 885032B36M1807Y | 18m |
| 52 | 1200669102 | 885032B36M2007Y | 20m |
| 53 | 1200669103 | 885032B36M2507Y | 25m |
| 54 | 1200669104 | 885032B36M3007Y | 30m |
| 55 | 1200669627 | 884032B33M010A | 1m |
| 56 | 1200669628 | 884032B33M020A | 2m |
| 57 | 1200669629 | 884032B33M030A | 3m |
| 58 | 1200669630 | 884032B33M050A | 5m |
| 59 | 1200669631 | 884032B33M100A | 10m |
| 60 | 1200669632 | 884032B33M150A | 15m |
| 61 | 1200669633 | 884032B33M200A | 20m |
| 62 | 1200669686 | 885032B33M010A | 10m |
| 63 | 1200669687 | 885032B33M020A | 20m |
| 64 | 1200669688 | 885032B33M030A | 30m |
| 65 | 1200669689 | 885032B33M050A | 5m |
| 66 | 1200669690 | 885032B33M100A | 10m |
| 67 | 1200669691 | 885032B33M150A | 15m |
| 68 | 1200669692 | 885032B33M200A | 20m |
| 69 | 1200669634 | 884032B30M150 | 15m |
| 70 | 1200669635 | 884032B30M200 | 20m |

| No. | Part No. | Engineering No. | Cable Length |
|-----|------------|-----------------|--------------|
| 71 | 1200669693 | 885032B30M150 | 15m |
| 72 | 1200669694 | 885032B30M200 | 20m |
| 73 | 1200669636 | 884032B55M010Y | 10m |
| 74 | 1200669637 | 884032B55M020Y | 2m |
| 75 | 1200669638 | 884032B55M030Y | 3m |
| 76 | 1200669639 | 884032B55M050Y | 5m |
| 77 | 1200669640 | 884032B55M100Y | 10m |
| 78 | 1200669641 | 884032B55M150Y | 15m |
| 79 | 1200669642 | 884032B55M200Y | 20m |
| 80 | 1200669695 | 885032B55M010Y | 1m |
| 81 | 1200669696 | 885032B55M020Y | 2m |
| 82 | 1200669697 | 885032B55M030Y | 3m |
| 83 | 1200669698 | 885032B55M050Y | 5m |
| 84 | 1200669699 | 885032B55M100Y | 10m |
| 85 | 1200669700 | 885032B55M150Y | 15m |
| 86 | 1200669701 | 885032B55M200Y | 20m |
| 87 | 1200669889 | 884032B33M005A | 0.5m |
| 88 | 1200669912 | 885032B33M005A | 0.5m |
| 89 | 1200669913 | 885032B33M300A | 30m |
| 90 | 1200669914 | 885032B33M400A | 40m |
| 91 | 1200669915 | 885032B33M500A | 50m |
| 92 | | | |
| 93 | | | |
| 94 | | | |
| 95 | | | |
| 96 | | | |
| 97 | | | |
| 98 | | | |
| 99 | | | |
| 100 | | | |
| 101 | | | |
| 102 | | | |
| 103 | | | |
| 104 | | | |
| 105 | | | |

| No. | Part No. | Engineering No. | Cable Length |
|-----|----------|-----------------|--------------|
| 106 | | | |
| 107 | | | |
| 108 | | | |
| 109 | | | |
| 110 | | | |
| 111 | | | |
| 112 | | | |
| 113 | | | |
| 114 | | | |
| 115 | | | |
| 116 | | | |
| 117 | | | |
| 118 | | | |
| 119 | | | |
| 120 | | | |
| 121 | | | |
| 122 | | | |
| 123 | | | |
| 124 | | | |
| 125 | | | |
| 126 | | | |
| 127 | | | |
| 128 | | | |
| 129 | | | |
| 130 | | | |
| 131 | | | |
| 132 | | | |
| 133 | | | |
| 134 | | | |
| 135 | | | |
| 136 | | | |
| 137 | | | |
| 138 | | | |
| 139 | | | |
| 140 | | | |

| | | | | | | | | | |
|---|--|-------|--|---|--|-----------------|--|-----------------|--|
| THIS DRAWING CONTAINS INFORMATION THAT IS PROPRIETARY TO MOLEX ELECTRONIC TECHNOLOGIES, LLC AND SHOULD NOT BE USED WITHOUT WRITTEN PERMISSION | | | | | | | | | |
| DIMENSION UNITS | | SCALE | | CURRENT REV DESC: REMOVED OBSOLETE PART NUMBER AS PER PCN#512871. | | | | | |
| mm | | 1:1 | |  CSE M12 XP AC FE RA WSOR MA RA XM DE | | | | | |
| GENERAL TOLERANCES (UNLESS SPECIFIED) | | | | | | | | | |
| ANGULAR TOL ± 1.0 ° | | | | | | | | | |
| 4 PLACES ± | | | | | | | | | |
| 3 PLACES ± | | | | EC NO: 732259 | | 2022/12/15 | | DRWN: SANTHN | |
| 2 PLACES ± 0.05 | | | | CHK'D: GGA | | 2022/12/21 | | APPR: GGA | |
| 1 PLACE ± 0.3 | | | | INITIAL REVISION: | | 2016/10/17 | | DOCUMENT NUMBER | |
| 0 PLACES ± 0.5 | | | | DRWN: JMARSZALEK | | 2016/10/18 | | 1200668920 | |
| DRAFT WHERE APPLICABLE MUST REMAIN WITHIN DIMENSIONS | | | | THIRD ANGLE PROJECTION | | DRAWING | | DOC TYPE | |
| | | | |  | | A3-SIZE | | PSD | |
| | | | | SERIES | | MATERIAL NUMBER | | DOC PART | |
| | | | | 120066 | | SEE PART LIST | | 000 | |
| | | | | CUSTOMER | | SHEET NUMBER | | REVISION | |
| | | | | GENERAL MARKET | | 3 OF 3 | | A3 | |