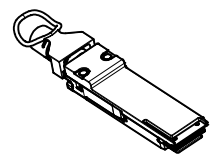


P1

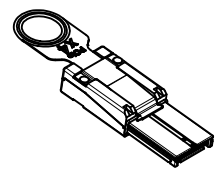
P2

P/N: XXXXXXXXXX  
S/N: YDDLSSSS  
X.XX M XX AWG

YDDLSSSS  
Y --- YEAR, THE LAST DIGIT OF YEAR  
DDD --- DAY OF THE YEAR  
L --- LOCATION  
SSSS --- SERIAL NO.



QSFP  
SCALE 1:2



PCIe  
SCALE 1:2

MOLEX P/N	AWG	LENGTH	TOLERANCE	JACKET RATING
1111339005	28	2.0M	±0.05M	VW1
1111339006	28	3.0M	±0.05M	VW1
1111339007	26	5.0M	±0.10M	CL2
1111339008	24	7.0M	±0.13M	CL2

- NOTES:
- MATERIAL =  
BACKSHELLS - ZINC DIECAST  
PULL - NYLON  
CABLE JACKET RATING - SEE TABLE
  - LENGTH AND TOLERANCE - SEE TABLE
  - ELECTRICAL PERFORMANCE PER PCI EXPRESS EXTERNAL CABLING SPEC. REV. 2.0 DRAFT 0.5
  - PLUGS MATES TO RECEPTACLE 75586-0010, PCIe EMI GUIDE HOUSING ASSY. 74540-0400, QSFP HOUSING ASSY. 74750-0021
  - THIS PRODUCT MEETS THE RESTRICTION OF HAZARDOUS SUBSTANCES IN ELECTRICAL AND ELECTRONIC EQUIPMENT (RoHS) DIRECTIVE (2002/95/EC).

IPASS™ IS A TRADEMARK OF MOLEX

INITIAL RELEASE EC NO: USY2011-0390 DRW:BBYCZKIEWICZ 2010/09/07 CHKD: APPR:RMAHMOOD 2010/11/30	QUALITY SYMBOLS ▽=0 ▽=0	GENERAL TOLERANCES (UNLESS SPECIFIED) mm INCH 4 PLACES ± --- ± --- 3 PLACES ± --- ± --- 2 PLACES ± 0.13 ± --- 1 PLACE ± 0.25 ± --- ANGULAR ± 1/2°	DIMENSION STYLE MM ONLY DRAWN BY DATE BBYCZKIEWICZ 2010/09/07 CHECKED BY DATE	SCALE 1:1 DESIGN UNITS METRIC THIRD ANGLE PROJECTION	
	DRAFT WHERE APPLICABLE MUST REMAIN WITHIN DIMENSIONS		APPROVED BY DATE RMAHMOOD 2010/11/30	TITLE IPASS PCIe GEN2 TO QSFP CABLE ASSEMBLY FOR VIRTENSYS	
	MATERIAL NO. SEE TABLE		MOLEX INCORPORATED	DOCUMENT NO. RSD-11133-9005	SHEET NO. 1 OF 3
	THIS DRAWING CONTAINS INFORMATION THAT IS PROPRIETARY TO MOLEX INCORPORATED AND SHOULD NOT BE USED WITHOUT WRITTEN PERMISSION				

10 9 8 7 6 5 4 3 2 1

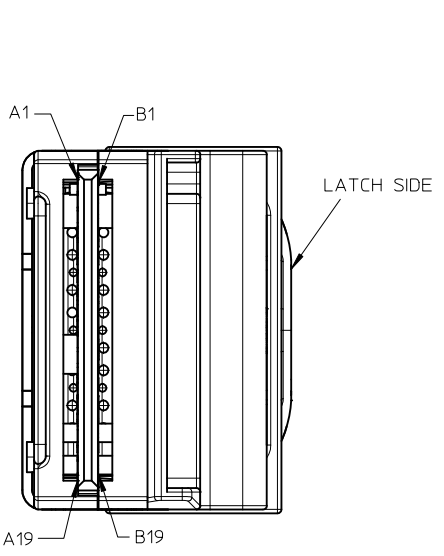
GND	A1	----	B1	GND
PETp0	A2	---▶	B2	PERp0
PETn0	A3	---▶	B3	PERn0
GND	A4	----	B4	GND
PETp1	A5	---▶	B5	PERp1
PETn1	A6	---▶	B6	PERn1
GND	A7	----	B7	GND
PETp2	A8	---▶	B8	PERp2
PETn2	A9	---▶	B9	PERn2
GND	A10	----	B10	GND
PETp3	A11	---▶	B11	PERp3
PETn3	A12	---▶	B12	PERn3
GND	A13	----	B13	GND
CREFCLK+	A14	----	A14	CREFCLK+
CREFCLK-	A15	----	A15	CREFCLK-
GND	A16	----	A16	GND
SB_RTN	A17	====	A17	SB_RTN
CPRSNT#	A18	====	A18	CPRSNT#
CPWRON	A19	====	A19	CPWRON
GND	B1	----	A1	GND
PERp0	B2	◀---	A2	PETp0
PERn0	B3	◀---	A3	PETn0
GND	B4	----	A4	GND
PERp1	B5	◀---	A5	PETp1
PERn1	B6	◀---	A6	PETn1
GND	B7	----	A7	GND
PERp2	B8	◀---	A8	PETp2
PERn2	B9	◀---	A9	PETn2
GND	B10	----	A10	GND
PERp3	B11	◀---	A11	PETp3
PERn3	B12	◀---	A12	PETn3
GND	B13	----	A13	GND
NC	B14		B14	NC
NC	B15		B15	NC
NC	B16		B16	NC
NC	B17		B17	NC
CWAKE#	B18	====	B18	CWAKE#
CPERST#	B19	====	B19	CPERST#

WIRE TYPE  
 ----- PAIR GROUND  
 -----> SIGNAL PAIR  
 - - - - - NORMAL WIRE

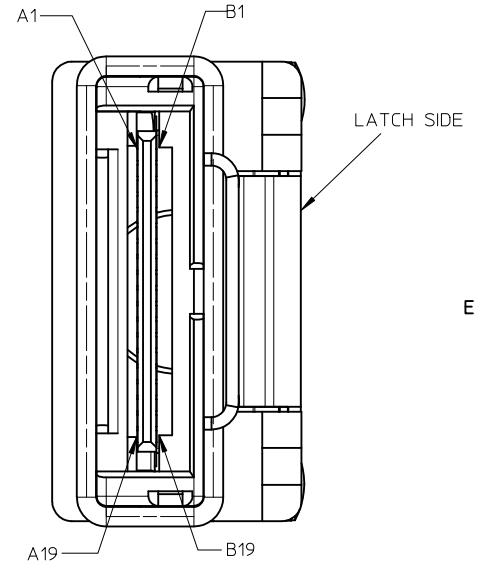
BREAK IN SEQUENCE

BREAK IN SEQUENCE

BREAK IN SEQUENCE



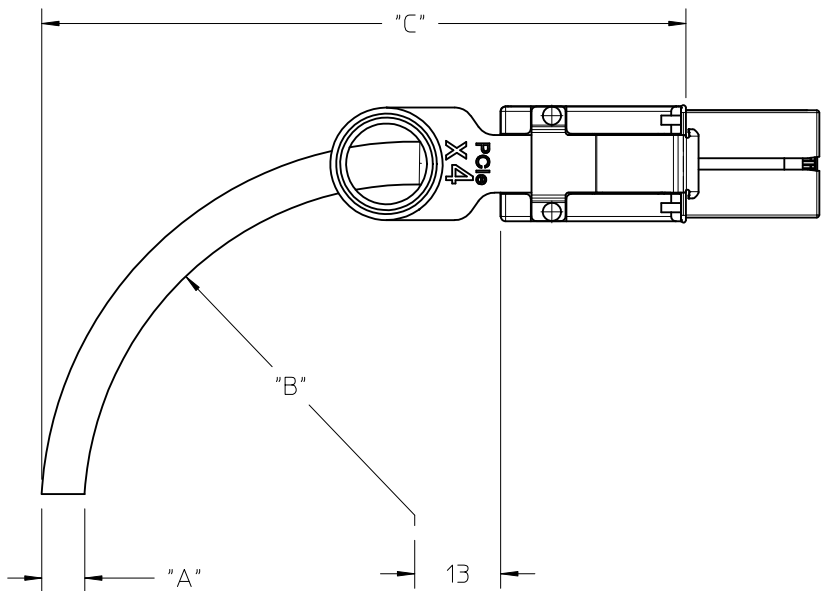
P1  
QSFP CONNECTOR



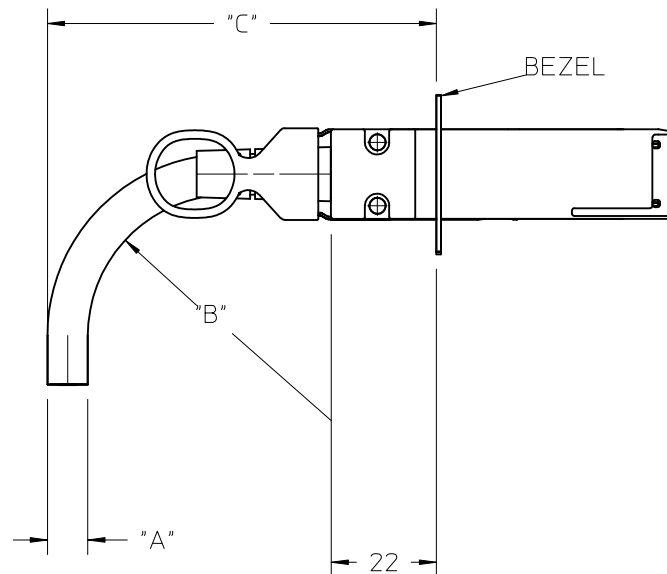
P2  
PCIe CONNECTOR

INITIAL RELEASE EC NO: USY2011-0390 DRW:BBYCZKIEWICZ2010/09/07 CHKD: APPR:RMAHMOOD 2010/11/30	QUALITY SYMBOLS ▼=0 ▽=0	GENERAL TOLERANCES (UNLESS SPECIFIED) mm INCH 4 PLACES ± --- ± --- 3 PLACES ± --- ± --- 2 PLACES ± 0.13 ± --- 1 PLACE ± 0.25 ± --- ANGULAR ± 1/2°	DIMENSION STYLE <b>MM ONLY</b> DRAWN BY DATE BBYCZKIEWICZ 2010/09/07 CHECKED BY DATE	SCALE <b>4:1</b> DESIGN UNITS <b>METRIC</b> THIRD ANGLE PROJECTION	TITLE <b>IPASS PCIe GEN2 TO QSFP CABLE ASSEMBLY FOR VIRTENSYS</b>
	DRAFT WHERE APPLICABLE MUST REMAIN WITHIN DIMENSIONS	APPROVED BY DATE RMAHMOOD 2010/11/30	MATERIAL NO. <b>SEE TABLE</b>	DOCUMENT NO. <b>RSD-11133-9005</b>	SHEET NO. <b>2 OF 3</b>
	THIS DRAWING CONTAINS INFORMATION THAT IS PROPRIETARY TO MOLEX INCORPORATED AND SHOULD NOT BE USED WITHOUT WRITTEN PERMISSION				
	IPASS™ IS A TRADEMARK OF MOLEX <b>MOLEX INCORPORATED</b>				

9 8 7 6 5 4 3 2 1



PCIE



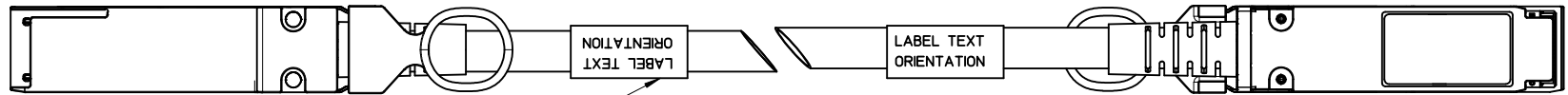
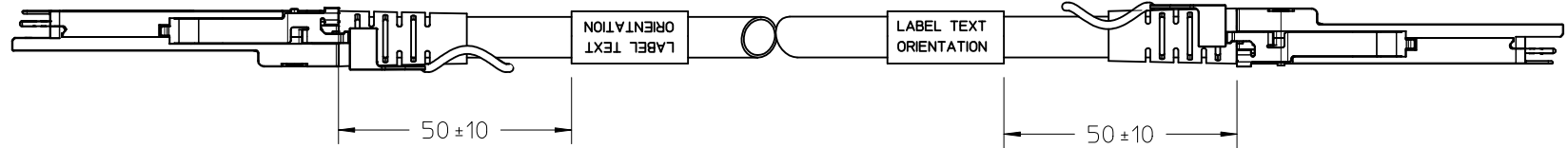
QSFP

CABLE GAUGE	24	26	28
A CABLE DIAMETER	10.54	9.53	8.75
B MINIMUM OUTER RADIUS	42.00	38.00	35.00
C FACEPLATE TO OUTER RADIUS	91.86	87.86	84.86

CABLE GAUGE	24	26	28
A CABLE DIAMETER	10.54	9.53	8.75
B MINIMUM OUTER RADIUS	42.00	38.00	35.00
C FACEPLATE TO OUTER RADIUS	64.00	60.00	57.00

IPASS™ IS A TRADEMARK OF MOLEX

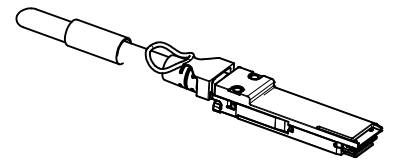
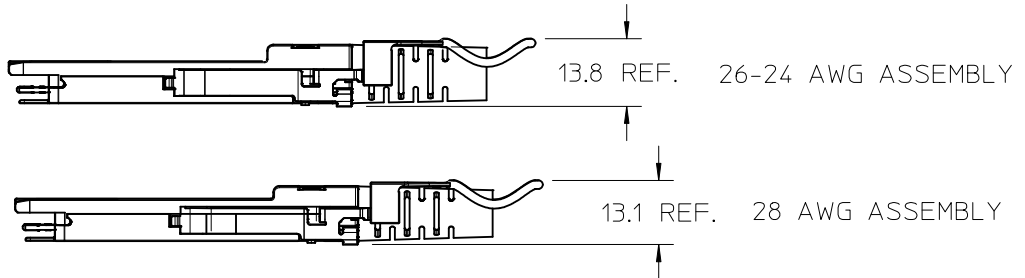
INITIAL RELEASE EC NO: USY2011-0390 DRWN:BBYCZKIEMICZ2010/09/07 CHKD: APPR:RMAHMOOD 2010/11/30	DESCRIPTION 2010/11/30	QUALITY SYMBOLS	GENERAL TOLERANCES (UNLESS SPECIFIED)	DIMENSION STYLE	SCALE	DESIGN UNITS	THIRD ANGLE PROJECTION	
		▼=0 ▽=0	mm INCH 4 PLACES ± --- ± --- 3 PLACES ± --- ± --- 2 PLACES ± 0.13 ± --- 1 PLACE ± 0.25 ± --- ANGULAR ± 1/2°	MM ONLY	1:1	METRIC	☉ THIRD ANGLE PROJECTION	
		DRAWN BY BBYCZKIEMICZ 2010/09/07 CHECKED BY DATE	APPROVED BY RMAHMOOD 2010/11/30 DATE	TITLE IPASS PCIe GEN2 TO QSFP CABLE ASSEMBLY FOR VIRTENSYS		MOLEX INCORPORATED		SHEET NO. 3 OF 3
		DRAFT WHERE APPLICABLE MUST REMAIN WITHIN DIMENSIONS	MATERIAL NO. SEE TABLE	DOCUMENT NO. RSD-111133-9005	THIS DRAWING CONTAINS INFORMATION THAT IS PROPRIETARY TO MOLEX INCORPORATED AND SHOULD NOT BE USED WITHOUT WRITTEN PERMISSION			



P1  
 P/N: XXXXXXXXXX  
 S/N: YDDLSSSS  
 X.XX M XX AWG

YDDLSSSS  
 Y --- YEAR, THE LAST DIGIT OF YEAR  
 DDD --- DAY OF THE YEAR  
 L --- LOCATION  
 SSSS --- SERIAL NO.

P2



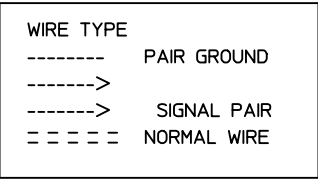
MOLEX P/N	AWG	LENGTH	TOLERANCE	JACKET RATING
1111449001	28	2.0M	±0.05M	VW1
1111449002	28	3.0M	±0.05M	VW1
1111449003	26	5.0M	±0.10M	CL2
1111449004	24	7.0M	±0.13M	CL2

- NOTES:
- MATERIAL=  
 BACKSHELLS - ZINC DIECAST  
 PULL - NYLON  
 CABLE JACKET RATING - SEE TABLE
  - LENGTH AND TOLERANCE - SEE TABLE
  - ELECTRICAL PERFORMANCE PER PCI EXPRESS EXTERNAL CABLING SPEC. REV. 2.0 DRAFT 0.5
  - PLUG MATES TO RECEPTACLE 75586-0010, AND HOUSING ASSY. 74750-0021
  - THIS PRODUCT MEETS THE RESTRICTION OF HAZARDOUS SUBSTANCES IN ELECTRICAL AND ELECTRONIC EQUIPMENT (RoHS) DIRECTIVE (2002/95/EC).

INITIAL RELEASE EC NO: USY2011-0390 DRAWN: BBYCZKIEWICZ 2010/10/26 CHKD: APPR: RMAHMOOD 2010/11/30	QUALITY SYMBOLS	GENERAL TOLERANCES (UNLESS SPECIFIED)	DIMENSION STYLE	SCALE	DESIGN UNITS	THIRD ANGLE PROJECTION	
	▼=0 ∇=0	mm INCH 4 PLACES ± --- ± --- 3 PLACES ± --- ± --- 2 PLACES ± 0.13 ± --- 1 PLACE ± 0.25 ± --- ANGULAR ± 1/2°	MM ONLY	1:1	METRIC	DRAWN BY DATE BBYCZKIEWICZ 2010/10/26 CHECKED BY DATE APPROVED BY DATE RMAHMOOD 2010/11/30	
	DRAFT WHERE APPLICABLE MUST REMAIN WITHIN DIMENSIONS		SEE TABLE	TITLE QSFP TO QSFP PCIe GEN2 CABLE ASSEMBLY FOR VIRTENSYS MOLEX INCORPORATED		DOCUMENT NO. RSD-111144-9001	SHEET NO. 1 OF 3
	THIS DRAWING CONTAINS INFORMATION THAT IS PROPRIETARY TO MOLEX INCORPORATED AND SHOULD NOT BE USED WITHOUT WRITTEN PERMISSION						

10 9 8 7 6 5 4 3 2 1

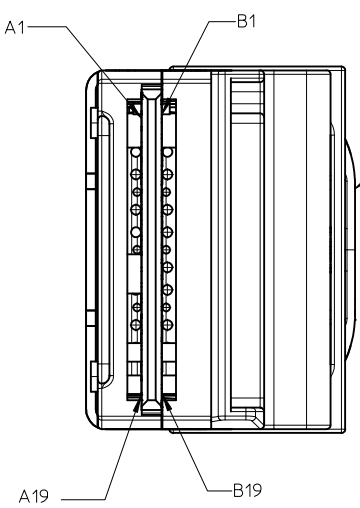
GND	A1	-----	B1	GND
PETp0	A2	----->	B2	PERp0
PETn0	A3	----->	B3	PERn0
GND	A4	-----	B4	GND
PETp1	A5	----->	B5	PERp1
PETn1	A6	----->	B6	PERn1
GND	A7	-----	B7	GND
PETp2	A8	----->	B8	PERp2
PETn2	A9	----->	B9	PERn2
GND	A10	-----	B10	GND
PETp3	A11	----->	B11	PERp3
PETn3	A12	----->	B12	PERn3
GND	A13	-----	B13	GND
CREFLK+	A14	-----	A14	CREFLK+
CREFLK-	A15	-----	A15	CREFLK-
GND	A16	-----	A16	GND
SB_RTN	A17	=====	A17	SB_RTN
CPRSNT#	A18	=====	A18	CPRSNT#
CPWRON	A19	=====	A19	CPWRON
GND	B1	-----	A1	GND
PERp0	B2	-----<	A2	PETp0
PERn0	B3	-----<	A3	PETn0
GND	B4	-----	A4	GND
PERp1	B5	-----<	A5	PETp1
PERn1	B6	-----<	A6	PETn1
GND	B7	-----	A7	GND
PERp2	B8	-----<	A8	PETp2
PERn2	B9	-----<	A9	PETn2
GND	B10	-----	A10	GND
PERp3	B11	-----<	A11	PETp3
PERn3	B12	-----<	A12	PETn3
GND	B13	-----	A13	GND
NC	B14	-----	B14	NC
NC	B15	-----	B15	NC
NC	B16	-----	B16	NC
NC	B17	-----	B17	NC
CWAKE#	B18	=====	B18	CWAKE#
CPERST#	B19	=====	B19	CPERST#



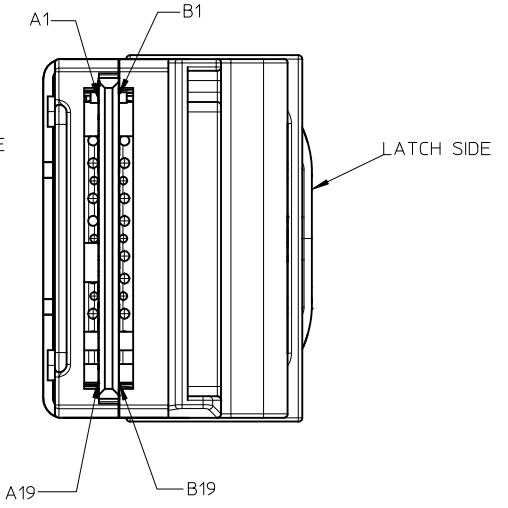
BREAK IN SEQUENCE

BREAK IN SEQUENCE

BREAK IN SEQUENCE



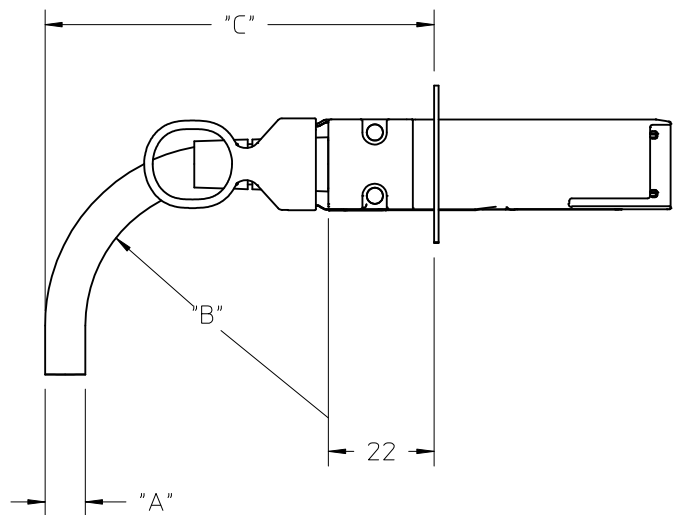
P1  
QSFP CONNECTOR



P2  
QSFP CONNECTOR

INITIAL RELEASE EC NO: USY2011-0390 DRAWN: BBYCZKIEWICZ 2010/10/26 CHKD: APPR: RMAHMOOD 2010/11/30	REV DESCRIPTION 1	QUALITY SYMBOLS	GENERAL TOLERANCES (UNLESS SPECIFIED)	DIMENSION STYLE MM ONLY		SCALE 4:1	DESIGN UNITS METRIC	THIRD ANGLE PROJECTION	
		▽=0 ▽=0	mm INCH 4 PLACES ± --- ± --- 3 PLACES ± --- ± --- 2 PLACES ± 0.13 ± --- 1 PLACE ± 0.25 ± --- ANGULAR ± 1/2°	DRAWN BY DATE BBYCZKIEWICZ 2010/10/26 CHECKED BY DATE	TITLE QSFP TO QSFP PCIE GEN2 CABLE ASSEMBLY FOR VIRTENSYS				
			DRAFT WHERE APPLICABLE MUST REMAIN WITHIN DIMENSIONS	APPROVED BY DATE RMAHMOOD 2010/11/30	MOLEX INCORPORATED		DOCUMENT NO. RSD-11144-9001	SHEET NO. 2 OF 3	
				MATERIAL NO. SEE TABLE	THIS DRAWING CONTAINS INFORMATION THAT IS PROPRIETARY TO MOLEX INCORPORATED AND SHOULD NOT BE USED WITHOUT WRITTEN PERMISSION				

9 8 7 6 5 4 3 2 1



QSFP

CABLE GAUGE	24	26	28
A CABLE DIAMETER	10.54	9.53	8.75
B MINIMUM OUTER RADIUS	42.00	38.00	35.00
C FACEPLATE TO OUTER RADIUS	64.00	60.00	57.00

INITIAL RELEASE  
 EC NO: USY2011-0390  
 DRWN:BBYCZKIEMICZ2010/10/26  
 CHKD:  
 APPR:RMAHMOOD 2010/11/30  
 1

QUALITY SYMBOLS  
 ▼=0  
 ▽=0

GENERAL TOLERANCES (UNLESS SPECIFIED)

	mm	INCH
4 PLACES	± ---	± ---
3 PLACES	± ---	± ---
2 PLACES	± 0.13	± ---
1 PLACE	± 0.25	± ---

ANGULAR ±1/2°

DRAFT WHERE APPLICABLE MUST REMAIN WITHIN DIMENSIONS

DIMENSION STYLE  
**MM ONLY**

DRAWN BY DATE  
 BBYCZKIEMICZ 2010/10/26

CHECKED BY DATE

APPROVED BY DATE  
 RMAHMOOD 2010/11/30

MATERIAL NO.

SIZE  
**B**

SCALE  
**1:1**

DESIGN UNITS  
**METRIC**

THIRD ANGLE PROJECTION

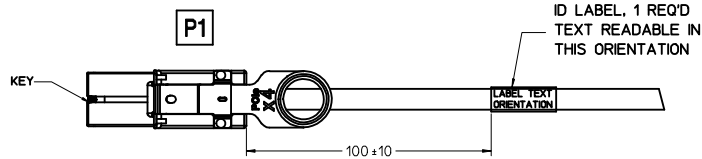
TITLE  
**QSFP TO QSFP PCIE GEN2 CABLE ASSEMBLY FOR VIRTENSYS**

**molex** MOLEX INCORPORATED

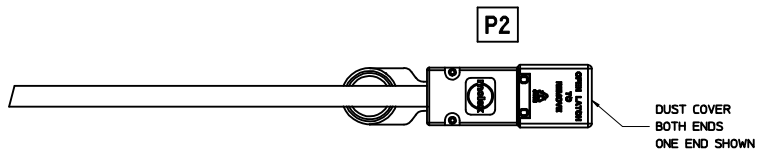
DOCUMENT NO.  
**RSD-111144-9001**

SHEET NO.  
**3 OF 3**

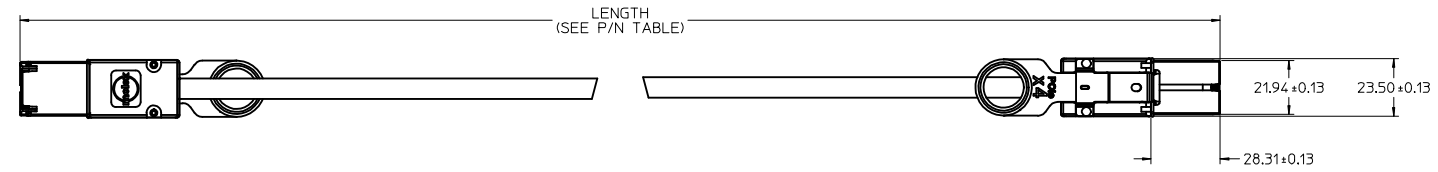
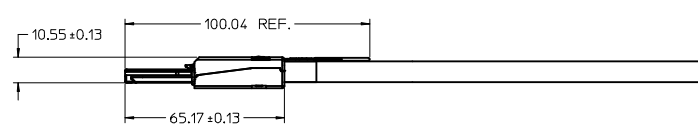
THIS DRAWING CONTAINS INFORMATION THAT IS PROPRIETARY TO MOLEX INCORPORATED AND SHOULD NOT BE USED WITHOUT WRITTEN PERMISSION



ID LABEL, 1 REQ'D  
TEXT READABLE IN  
THIS ORIENTATION



DUST COVER  
BOTH ENDS  
ONE END SHOWN

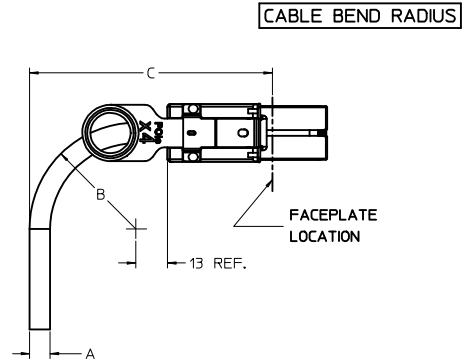
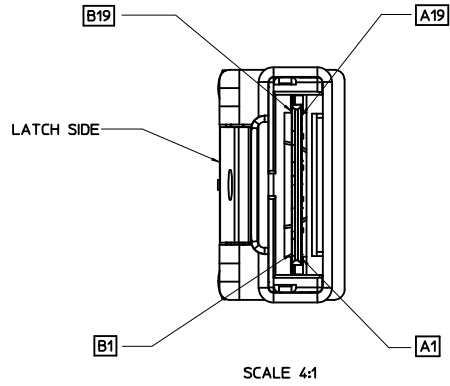


MOLEX P/N	LENGTH	GAGE	TOLERANCE	JACKET RATING
1000360400	0.5M	30	0.03M	CL2
1000360401	1.0M	30	0.05M	CL2
1000360402	2.0M	28	0.05M	CL2
1000360403	3.0M	28	0.05M	CL2
1000360404	4.0M	28	0.10M	CL2
1000360405	5.0M	26	0.10M	CL2
1000360406	6.0M	26	0.13M	CL2
1000360407	7.0M	24	0.13M	CL2

- NOTES:
- MATERIAL  
BACKSHELLS: NICKEL PLATED ZINC  
PULL: NYLON 6/6, GREEN, UL94 HB  
LATCH: STAINLESS STEEL  
CABLE JACKET RATING: SEE P/N TABLE
  - LENGTH AND TOLERANCE: SEE P/N TABLE
  - ELECTRICAL PERFORMANCE PER PCI EXPRESS EXTERNAL CABLING SPEC. REV. 2.0.
  - RoHS COMPLIANT, WITHOUT EXEMPTIONS.

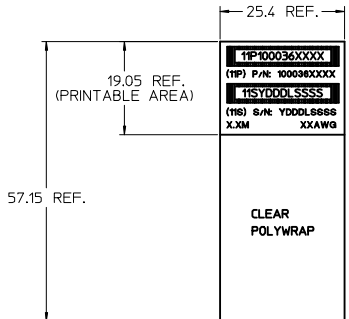
<b>SEE REVISION TABLE</b> IEC NO: CPG2014-1712 DRAWN BY: KWEBER 2013/02/09 CHECKED BY: CHYKORCONNELLY 2013/02/10 APPROVED BY: APPRAVARAIBURN 2013/02/10 REV DESCRIPTION	QUALITY SYMBOLS ∇=0 ∇=0 ∇=0	GENERAL TOLERANCES (UNLESS SPECIFIED) mm INCH 4 PLACES ± --- ± --- 3 PLACES ± --- ± --- 2 PLACES ± --- ± --- 1 PLACE ± --- ± --- 0 PLACE ± --- ± --- ANGULAR ± --- ° DRAFT WHERE APPLICABLE MUST REMAIN WITHIN DIMENSIONS	DIMENSION STYLE MM ONLY DRAWN BY: KWEBER DATE: 2013/02/22 CHECKED BY: RKLIN DATE: 2013/02/27 APPROVED BY: KJANOTA DATE: 2013/08/06	SCALE: 1:1 DESIGN UNITS: METRIC THIRD ANGLE PROJECTION	TITLE: X4 PCIe CABLE ASSEMBLY GEN 2 molex	MATERIAL NO: SEE P/N TABLE	DOCUMENT NO: SD-100036-0400	SHEET NO: 1 OF 3
	THIS DRAWING CONTAINS INFORMATION THAT IS PROPRIETARY TO MOLEX INCORPORATED AND SHOULD NOT BE USED WITHOUT WRITTEN PERMISSION							

WIRING DIAGRAM				
P1 END			P2 END	
SIGNAL	PAD		PAD	SIGNAL
GND	A1	---	B1	GND
PETp0	A2	→	B2	PERp0
PETn0	A3	→	B3	PERn0
GND	A4	---	B4	GND
PETp1	A5	→	B5	PERp1
PETn1	A6	→	B6	PERn1
GND	A7	---	B7	GND
PETp2	A8	→	B8	PERp2
PETn2	A9	→	B9	PERn2
GND	A10	---	B10	GND
PETp3	A11	→	B11	PERp3
PETn3	A12	→	B12	PERn3
GND	A13	---	B13	GND
CREFLCK+	A14	---	A14	CREFLCK+
CREFLCK-	A15	---	A15	CREFLCK-
GND	A16	---	A16	GND
SB_RTN	A17	---	A17	SB_RTN
CPRSNT#	A18	---	A18	CPRSNT#
CPWRON	A19	---	A19	CPWRON
GND	B1	---	A1	GND
PERp0	B2	←	A2	PETp0
PERn0	B3	←	A3	PETn0
GND	B4	---	A4	GND
PERp1	B5	←	A5	PETp1
PERn1	B6	←	A6	PETn1
GND	B7	---	A7	GDN
PERp2	B8	←	A8	PETp2
PERn2	B9	←	A9	PETn2
GND	B10	---	A10	GND
PERp3	B11	←	A11	PETp3
PERn3	B12	←	A12	PETn3
GND	B13	---	A13	GND
NC	B14	---	B14	NC
NC	B15	---	B15	NC
NC	B16	---	B16	NC
NC	B17	---	B17	NC
CWAKE#	B18	---	B18	CWAKE#
CPERST#	B19	---	B19	CPERST#



CABLE GAUGE		24	26	28
A	CABLE DIAMETER (REF.)	10.40	9.30	8.40
B	MINIMUM OUTER RADIUS	47	42	38
C	MIN. FACEPLATE TO OUTER RADIUS	102	97	93

LABEL TEXT DEFINITION



P/N: SEE P/N TABLE  
 S/N YDDLSSSS:  
 Y = YEAR, LAST DIGIT OF YEAR  
 DDD = DAY OF THE YEAR  
 L = LOCATION - 1 = USA  
 2 = MEXICO  
 3 = CHINA  
 SSSS = SERIAL NUMBER  
 X.XM: CABLE LENGTH, SEE P/N TABLE  
 XXAWG: WIRE GAUGE, SEE P/N TABLE

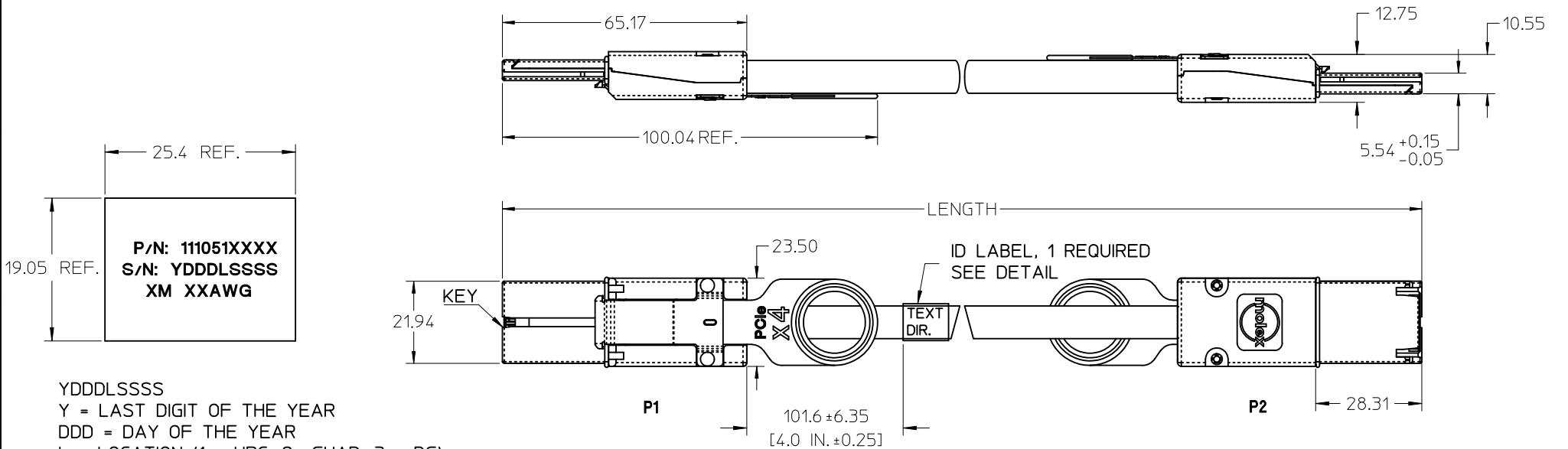
SEE REVISION TABLE EC NO: CPG2014-1712 DRAWN BY: KWEBER CHECKED BY: CHYDORCONNELLY APPROVED BY: APPRAVARBURN	QUALITY SYMBOLS ▽=0 ▽=0 ▽=0	GENERAL TOLERANCES (UNLESS SPECIFIED)		DIMENSION STYLE		SCALE 1:1	DESIGN UNITS METRIC	THIRD ANGLE PROJECTION
		mm	INCH	MM ONLY	DATE			
		4 PLACES	+	+	+			TITLE X4 PCIe CABLE ASSEMBLY GEN 2 <b>molex</b> DOCUMENT NO. SD-100036-0400 SHEET NO. 2 OF 3
		3 PLACES	+	+	+			
		2 PLACES	+	+	+			
		1 PLACE	+	+	+			
		0 PLACE	+	+	+			
		ANGULAR ±		SEE P/N TABLE				
		DRAFT WHERE APPLICABLE MUST REMAIN WITHIN DIMENSIONS		SEE P/N TABLE				
				THIS DRAWING CONTAINS INFORMATION THAT IS PROPRIETARY TO MOLEX INCORPORATED AND SHOULD NOT BE USED WITHOUT WRITTEN PERMISSION				



**REVISION HISTORY**

DATE	REV	DESCRIPTION
2013/08/06	A	INITIAL RELEASE
2013/12/09	B	CHANGED OUTPUT OF BARCODES

SEE REVISION TABLE IEC NO: CPG2014-1712 D <small>D</small> DRAWN: KWEBER 2013/12/09 CHKD: CONNELLY 2013/12/10 APPR: ARABURN 2013/12/10	QUALITY SYMBOLS ∇=0 ∇=0 ∇=0	GENERAL TOLERANCES (UNLESS SPECIFIED) <table border="1"> <thead> <tr> <th></th> <th>mm</th> <th>INCH</th> </tr> </thead> <tbody> <tr> <td>4 PLACES</td> <td>+---</td> <td>+---</td> </tr> <tr> <td>3 PLACES</td> <td>+---</td> <td>+---</td> </tr> <tr> <td>2 PLACES</td> <td>+---</td> <td>+---</td> </tr> <tr> <td>1 PLACE</td> <td>+---</td> <td>+---</td> </tr> <tr> <td>0 PLACE</td> <td>+---</td> <td>+---</td> </tr> </tbody> </table>		mm	INCH	4 PLACES	+---	+---	3 PLACES	+---	+---	2 PLACES	+---	+---	1 PLACE	+---	+---	0 PLACE	+---	+---	DIMENSION STYLE <b>MM ONLY</b>	SCALE <b>1:1</b>	DESIGN UNITS <b>METRIC</b>	THIRD ANGLE PROJECTION 	DRAWN BY DATE KWEBER 2013/02/22	TITLE <b>X4 PCIE CABLE ASSEMBLY GEN 2</b>  
		mm	INCH																							
4 PLACES	+---	+---																								
3 PLACES	+---	+---																								
2 PLACES	+---	+---																								
1 PLACE	+---	+---																								
0 PLACE	+---	+---																								
MATERIAL NO. SEE P/N TABLE	CHECKED BY DATE RKLINE 2013/02/27	APPROVED BY DATE KJANOTA 2013/08/06	DOCUMENT NO. SD-100036-0400	SHEET NO. 3 OF 3																						

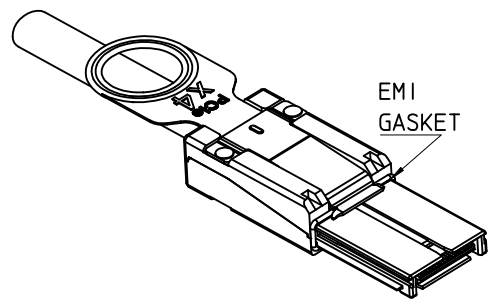


P/N: 111051XXXX  
S/N: YDDDLSSSS  
XM XXAWG

YDDDLSSSS  
Y = LAST DIGIT OF THE YEAR  
DDD = DAY OF THE YEAR  
L = LOCATION (1 = HPC, 2= GUAD, 3 = DG)  
SSSS = SERIAL NUMBER

ID LABEL DETAIL  
SCALE 2:1

MOLEX P/N	LENGTH	GAGE	TOLERANCE	JACKET RATING
1110510400	0.5M	28	0.03M	VW1
1110510401	1.0M	28	0.05M	VW1
1110510411	1.25M	28	0.05M	VW1
1110510402	2.0M	28	0.05M	VW1
1110510403	3.0M	28	0.05M	VW1
1110510404	4.0M	28	0.10M	VW1
1110510405	5.0M	26	0.10M	CL2
1110510406	6.0M	26	0.13M	CL2
1110510407	7.0M	24	0.13M	CL2

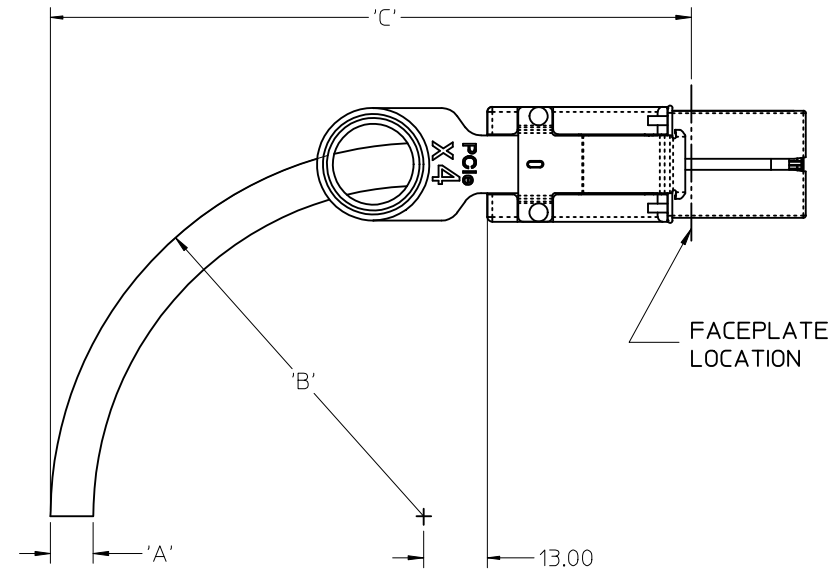
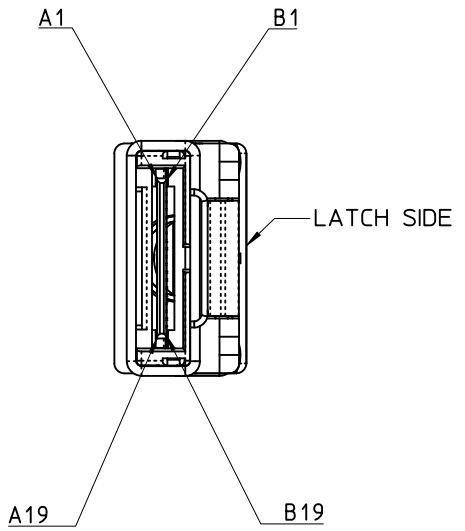


- NOTES:
- MATERIAL  
BACKSHELLS: ZINC DIECAST  
PULL: DUPONT ZYTEL ST801 NYLON 6/6  
LATCH: STAINLESS STEEL  
CABLE JACKET RATING: SEE TABLE
  - LENGTH AND TOLERANCE: SEE TABLE
  - ELECTRICAL PERFORMANCE PER PCI EXPRESS EXTERNAL CABLING SPEC. REV. 2.0 DRAFT 0.9
  - PLUG MATES TO RECEPTACLE 755860010 AND EMI GUIDE HOUSING ASSEMBLY 745400400.
  - LEAD FREE, NO ROHS EXEMPTIONS.

ADDED ID LABEL EC NO: CPG2012-0951 DR: MANKWEBER CHKD: KJANOTA APPR: KJANOTA 2012/03/09 2012/03/21 DESCRIPTION REV B	QUALITY SYMBOLS ▽=0 ▽=0	GENERAL TOLERANCES (UNLESS SPECIFIED) <table border="1"> <thead> <tr> <th></th> <th>mm</th> <th>INCH</th> </tr> </thead> <tbody> <tr> <td>4 PLACES</td> <td>± ---</td> <td>± ---</td> </tr> <tr> <td>3 PLACES</td> <td>± ---</td> <td>± ---</td> </tr> <tr> <td>2 PLACES</td> <td>± 0.13</td> <td>± ---</td> </tr> <tr> <td>1 PLACE</td> <td>± 0.25</td> <td>± ---</td> </tr> <tr> <td colspan="3">ANGULAR ± 1/2°</td> </tr> </tbody> </table>		mm	INCH	4 PLACES	± ---	± ---	3 PLACES	± ---	± ---	2 PLACES	± 0.13	± ---	1 PLACE	± 0.25	± ---	ANGULAR ± 1/2°			DIMENSION STYLE MM ONLY DRAWN BY: JERWIN DATE: 2010/01/06 CHECKED BY: BSCHOESTER DATE: 2010/01/06 APPROVED BY: KJANOTA DATE: 2011/05/03 MATERIAL NO.	SCALE: 1:1 DESIGN UNITS: METRIC THIRD ANGLE PROJECTION	TITLE: I-PASS PCIE X4 CABLE ASSEMBLY GEN 2 MOLEX INCORPORATED DOCUMENT NO. SD-111051-0400 SHEET NO. 1 OF 2
		mm	INCH																				
	4 PLACES	± ---	± ---																				
	3 PLACES	± ---	± ---																				
2 PLACES	± 0.13	± ---																					
1 PLACE	± 0.25	± ---																					
ANGULAR ± 1/2°																							
DRAFT WHERE APPLICABLE MUST REMAIN WITHIN DIMENSIONS		SEE TABLE		THIS DRAWING CONTAINS INFORMATION THAT IS PROPRIETARY TO MOLEX INCORPORATED AND SHOULD NOT BE USED WITHOUT WRITTEN PERMISSION																			

10 9 8 7 6 5 4 3 2 1

P1			P2	
GND	A1	→	B1	GND
PETp0	A2	→	B2	PERp0
PETn0	A3	→	B3	PERn0
GND	A4	→	B4	GND
PETp1	A5	→	B5	PERp1
PETn1	A6	→	B6	PERn1
GND	A7	→	B7	GND
PETp2	A8	→	B8	PERp2
PETn2	A9	→	B9	PERn2
GND	A10	→	B10	GND
PETp3	A11	→	B11	PERp3
PETn3	A12	→	B12	PERn3
GND	A13	→	B13	GND
CREFCLK+	A14	→	A14	CREFCLK+
CREFCLK-	A15	→	A15	CREFCLK-
GND	A16	→	A16	GND
SB_RTN	A17	→	A17	SB_RTN
CPRSNT#	A18	→	A18	CPRSNT#
CPWRON	A19	→	A19	CPWRON
GND	B1	←	A1	GND
PERp0	B2	←	A2	PETp0
PERn0	B3	←	A3	PETn0
GND	B4	←	A4	GND
PERp1	B5	←	A5	PETp1
PERn1	B6	←	A6	PETn1
GND	B7	←	A7	GND
PERp2	B8	←	A8	PETp2
PERn2	B9	←	A9	PETn2
GND	B10	←	A10	GND
PERp3	B11	←	A11	PETp3
PERn3	B12	←	A12	PETn3
GND	B13	←	A13	GND
NC	B14	←	B14	NC
NC	B15	←	B15	NC
NC	B16	←	B16	NC
NC	B17	←	B17	NC
CWAKE#	B18	←	B18	CWAKE#
CPERST#	B19	←	B19	CPERST#



	CABLE GAUGE	24	26	28
A	CABLE DIAMETER (REF.)	10.40	9.30	8.40
B	MINIMUM OUTER RADIUS	46.90	41.70	37.70
C	MIN. FACEPLATE TO OUTER RADIUS	101.63	96.43	92.43

IPASS™ IS A TRADEMARK OF MOLEX

<b>ADDED ID LABEL</b> EC NO: CPG2012-0951 DRW: KMEBER 2012/03/09 CHKD: 2012/03/09 APPR: KJANOTA 2012/03/21	QUALITY SYMBOLS ▽=0 ▽=0	GENERAL TOLERANCES (UNLESS SPECIFIED)		DIMENSION STYLE <b>MM ONLY</b>		SCALE 1:1	DESIGN UNITS METRIC	THIRD ANGLE PROJECTION																	
		<table border="1"> <thead> <tr> <th></th> <th>mm</th> <th>INCH</th> </tr> </thead> <tbody> <tr> <td>4 PLACES</td> <td>± ---</td> <td>± ---</td> </tr> <tr> <td>3 PLACES</td> <td>± ---</td> <td>± ---</td> </tr> <tr> <td>2 PLACES</td> <td>± 0.13</td> <td>± ---</td> </tr> <tr> <td>1 PLACE</td> <td>± 0.25</td> <td>± ---</td> </tr> </tbody> </table>			mm	INCH	4 PLACES	± ---	± ---	3 PLACES	± ---	± ---	2 PLACES	± 0.13	± ---	1 PLACE	± 0.25	± ---	DRAWN BY JERWIN		DATE 2010/01/06	<b>I-PASS PCIE X4 CABLE ASSEMBLY GEN 2</b>			
			mm	INCH																					
		4 PLACES	± ---	± ---																					
3 PLACES	± ---	± ---																							
2 PLACES	± 0.13	± ---																							
1 PLACE	± 0.25	± ---																							
DRAFT WHERE APPLICABLE MUST REMAIN WITHIN DIMENSIONS		CHECKED BY BSCHOESTER		DATE 2010/01/06																					
MATERIAL NO.		APPROVED BY KJANOTA		DATE 2011/05/03	<b>MOLEX INCORPORATED</b>																				
SEE TABLE		DOCUMENT NO.		SD-111051-0400		SHEET NO.		2 OF 2																	

9 8 7 6 5 4 3 2 1