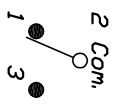


RECOMMENDED PCB LAYOUT

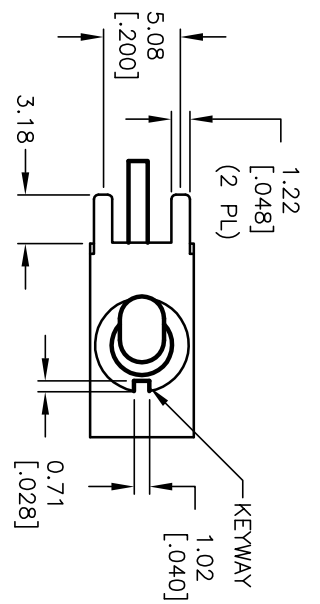


SPDT CIRCUIT CONTACT CONFIGURATION

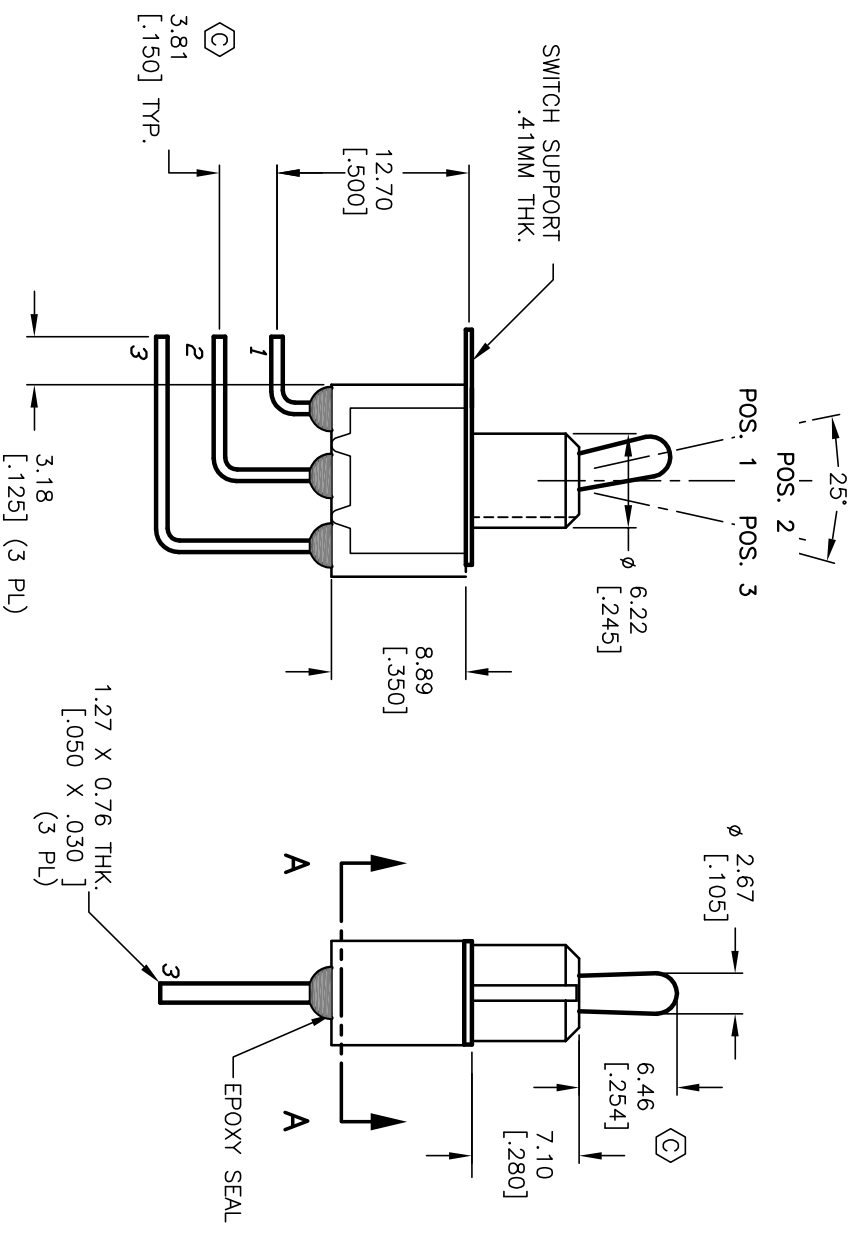
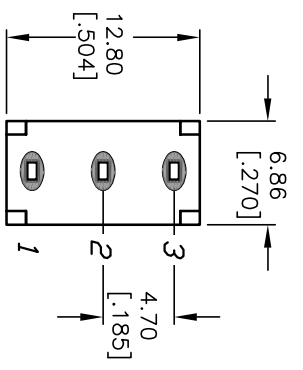
SWITCH FUNCTION		
POS. 1	POS. 2	POS. 3
DN	NONE	DN
2-3	OPEN	2-1

NOTES:

1. ALL DIMENSIONS IN MM [INCH]
2. GENERAL TOLERANCE: X.XX=±0.4 X.XX=±0.25
3. TERMINAL NUMBERS FOR REF ONLY
4. RATING: 5A @120VAC or 28VDC; 2A @250V AC
5. FIXED TERM. & MOVING CONTACT: COPPER Alloy w/Silver plate.
6. ELECTRIC LIFE: 50,000 make-and-break cycles at full load.
7. INSULATION RESISTANCE: 1,000 Mega-ohm min.
8. DIELECTRIC STRENGTH: 1,000 V RMS @sea level.
9. OPERATING TEMP.: -30°C to +85°C



SECTION A-A



REV.	ECN No.	DESCRIPTION	DATE	CHKD
C	14309	ACTUATOR & TERMINALS	9/10/04	AR
B	12547	REVISED AND REDRAWN	12/2/02	CB

TITLE	SCALE	DATE	DR	DWG	REV
100SP1T2B4M7QE	2:1	--	--	T111604	C



THE INFORMATION CONTAINED IN THIS DOCUMENT IS PROPRIETARY TO E-SWITCH AND IS NOT TO BE COPIED OR TRANSFERRED