

## RAFIX 16 - Keylock switch, round collar, latching

### 1.30.076.121/0000

Only use contact blocks with momentary function.

Other lock variants available on request.

Included: 2 keys on ring.



#### General information

|                |       |
|----------------|-------|
| Form of collar | round |
|----------------|-------|

#### Dimensions

|                   |            |
|-------------------|------------|
| Collar dimensions | ø 24.95 mm |
| Collar dimensions | ø 24.95 mm |
| Overall height    | 27.95 mm   |
| Mounting depth    | 44.7 mm    |
| Mounting hole     | 16.2 mm    |
| Key grid          | 25 x 25 mm |

#### Mechanical design

|                             |                            |
|-----------------------------|----------------------------|
| Mounting                    | ring nut                   |
| Contact function            | latching                   |
| Contact arrangement         | according to contact block |
| Illumination                | no                         |
| Lock                        | Micromec                   |
| Wafers                      | 5                          |
| Lock type                   | 001                        |
| Number of locking positions | 500                        |
| Main key                    | on request                 |
| Rotating angle              | 1 x 90°, form V            |
| Key removal position        | 0                          |

#### Mechanical characteristics

|             |        |
|-------------|--------|
| Torque max. | 1.3 Nm |
|-------------|--------|

#### Electrical characteristics

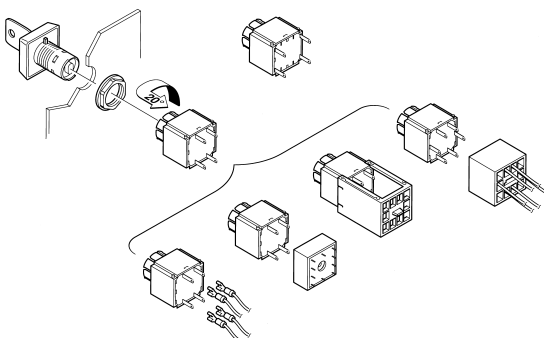
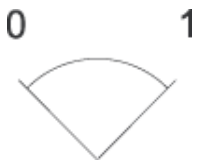
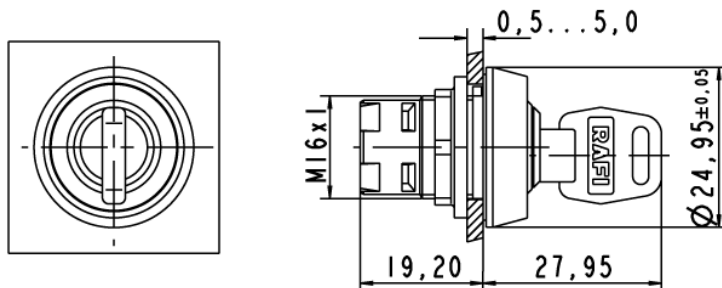
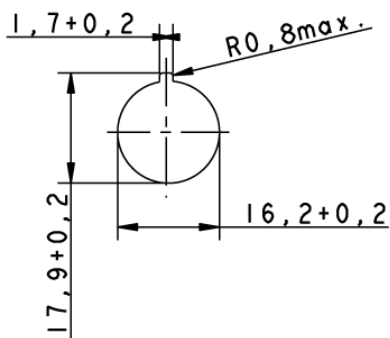
|                  |    |
|------------------|----|
| Protection class | II |
|------------------|----|

#### Other specifications

|                                      |                     |
|--------------------------------------|---------------------|
| ESD-strength lock / contact          | 15 kV               |
| ESD strength key/ front panel        | 8 kV                |
| Operating life (operations)          | 65,000 cycle        |
| Degree of protection from front side | IP65 (DIN EN 60529) |

|   |  |
|---|--|
| Operation temperature min.                      | -25 °C                                   |
| Ambient temp. operating max. without lamp / LED | +70 °C                                   |
| Storage temperature min.                        | -40 °C                                   |
| Storage temperature max.                        | +85 °C                                   |
| Environmental resistance                        | acc. to IEC 60068-2-14, -30, -33 and -78 |
| ROHS compliant                                  | yes                                      |
| REACH compliant                                 | yes                                      |

## Panel cut-out



Technical data are approximate and intended solely for general orientation in the selection of a product.  
 Subject to modifications and errors. Images and other graphics may only be similar.  
 For more information, refer to [www.rafi.de](http://www.rafi.de) chapter Imprint / Data Protection.