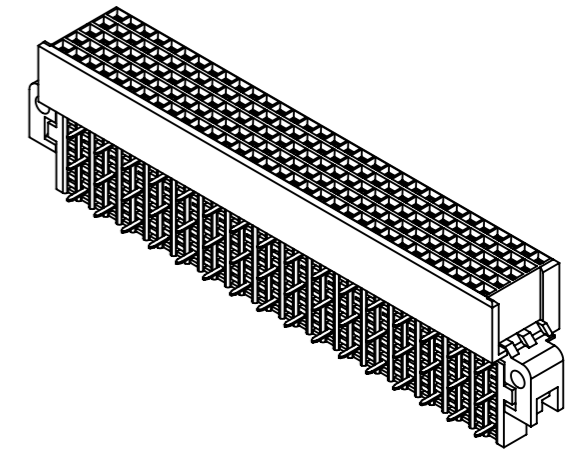
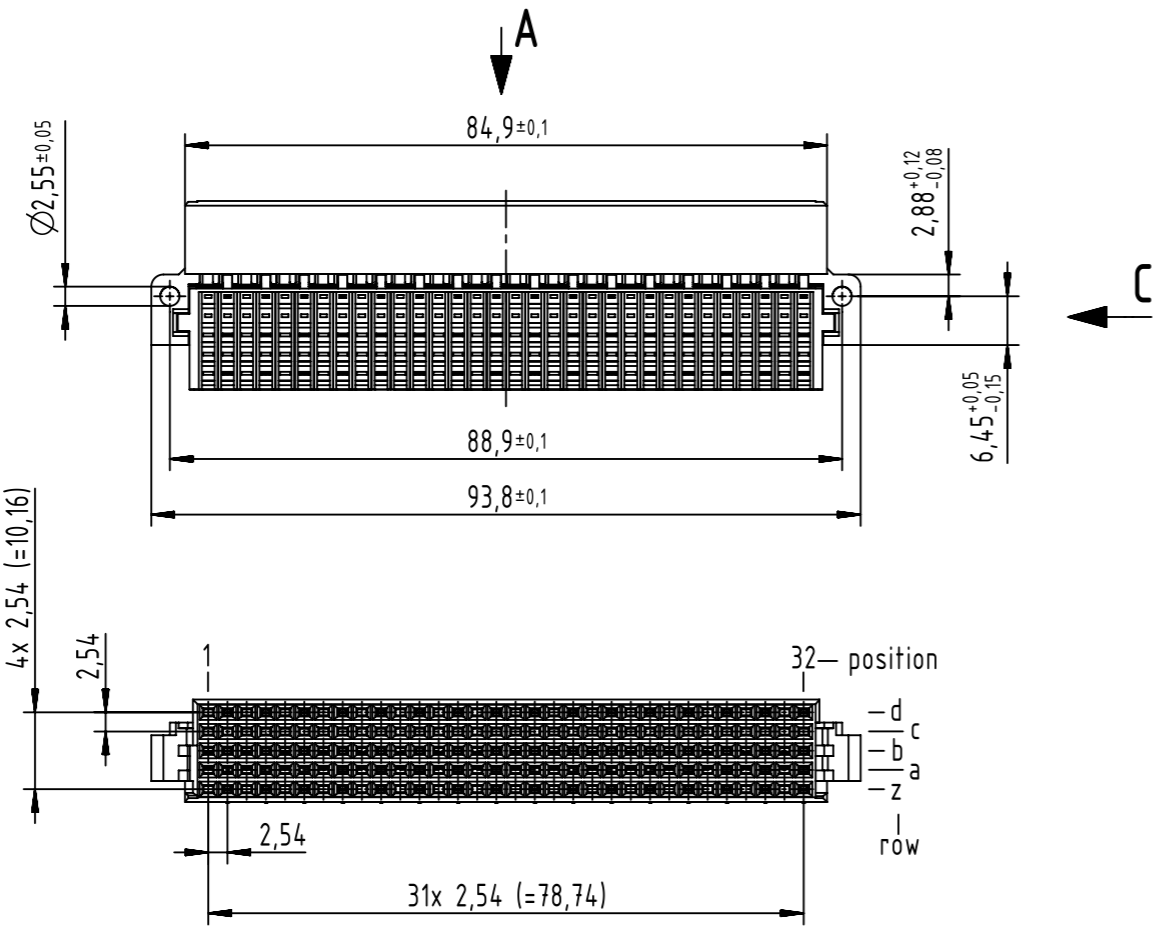
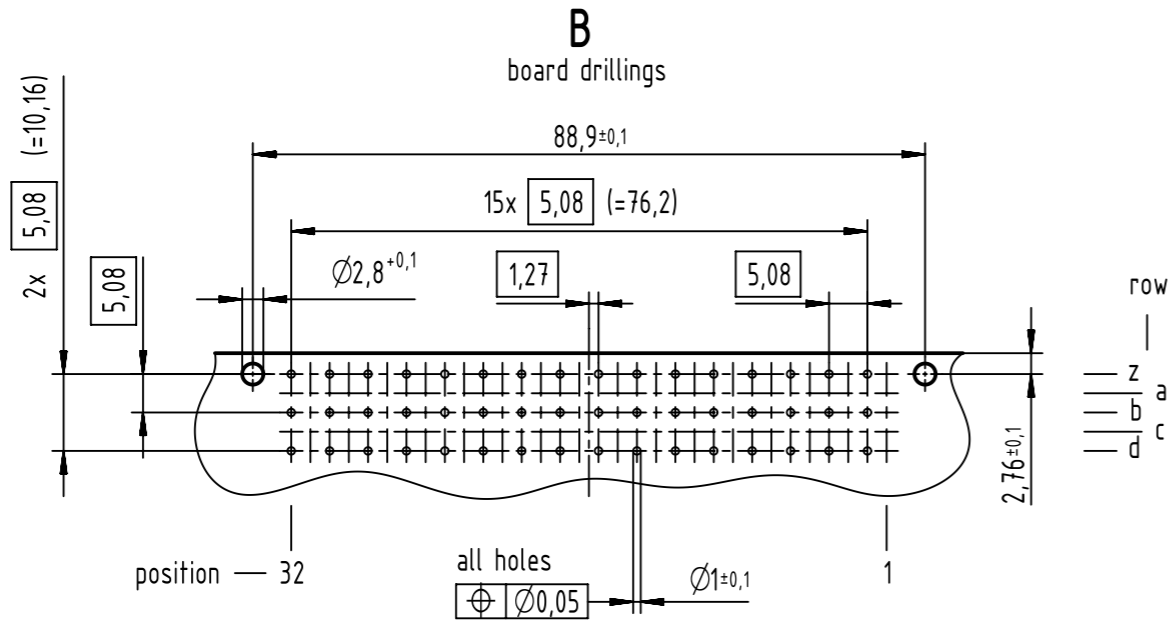


48 signal contacts
 x = position with contact
 □ = position without contact



1 further information see: DS 09052200200

02 04 048 1101	1
part no.	performance level 1

All rights reserved Department EL PD HARTING Electronics GmbH D-32339 Espelkamp	All Dimensions in mm Original Size DIN A3	Scale 1:1 Free size tol. complementary IEC 60603-2	Ref. Sub.	Created by STORCK	Inspected by LEHNERT	Standardisation HOFFMANN	Date 2019-04-25	State Final Release
	Title DIN Power type E female angled solder 48-pole							Doc-Key / ECM-Nr. 100125598/UGD/006/D 50000014.7088
		Type TB	Number 0204048X101		Rev. D	Page 1/1		