

S CN BN - J 2 4 50 - SO RPM

SUNTSU

CONNECTOR

BNC

Connector Type
Jack

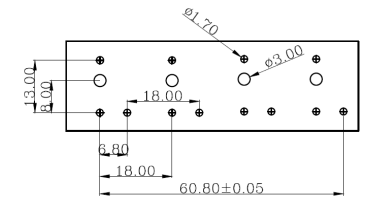
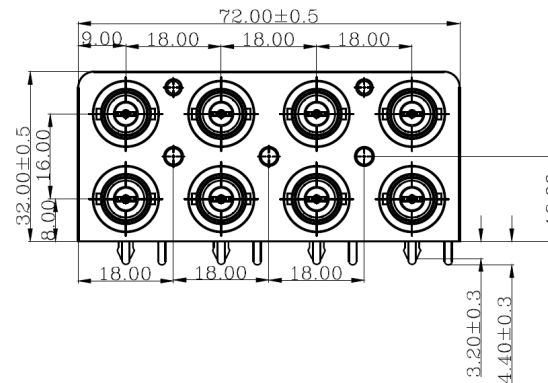
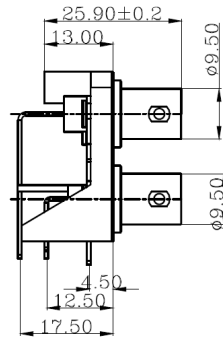
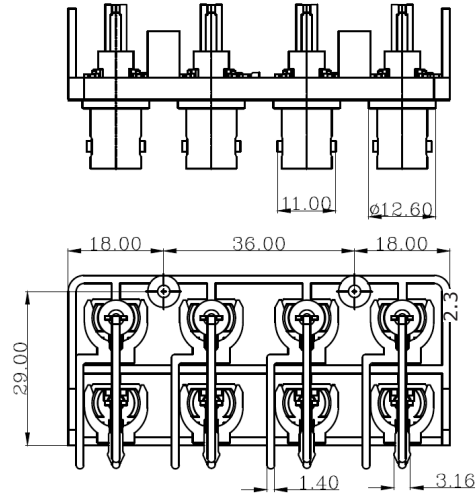
Rows
2

Connectors
per Row
4

Impedance
50

Contact Termination
Solder

Mounting Style
Right Angle PCB
Mount



Recommended
Mounting
Layout

1. Materials:

- a) Body: Zinc Nickel Plated
- b) Contact: Brass Nickel Plated
- 2. Normal Impedance: 50Ω
- 3. Frequency Range: 0-4 GHz
- 4. Max Peak Voltage: 500V
- 5. Dielectric Strength: 1500V RMS
- 6. Insulation Resistance: 5000MΩ/Min



EIGHT BNC FEMALE IN TWO ROWS
90°

Document History				Part No.	REV.	Drawn	Page
Edits Made	Date	Edited By	Approved By	SCNBN-J2450-SORPM	A	B. Gibbons	06/28/2021
Initial Release	06/28/2021	B. Gibbons	KH Mun	Drawing No.	SCALE	Checked	1 / 1
				Tolerance	None	KH Mun	
					UNIT	Approved	
					mm	KH Mun	06/28/2021