

SUMMARY

Wires

Low voltage 6



Image is for illustrative purpose only

Series 1P
Termination type Female print PCB
IP rating 50
AWG wire size 0.00 - 0.00
Cable Ø 0.00 - 0.00 mm
Status active

Download

[Request a quote](#)
[PCB Eagle Pattern](#)
[PCB Altium Pattern](#)
[PCB KiCad Pattern](#)
[Catalog](#)

TECHNICAL DETAILS

Mechanics

Shell Style/Model PP*: Elbow receptacle key (G) or keys (A,B,C) for printed circuit
Keying 1 key (alpha=0; Plug: male contact; Receptacle: female contact)
Housing Material PSU (Polysulfone), black
Weight 5.70 g

Performance

Configuration 1P.M06 : 6 Low Voltage
Insulator G: PSU gray
Rated Current 6 Amps

Specifications

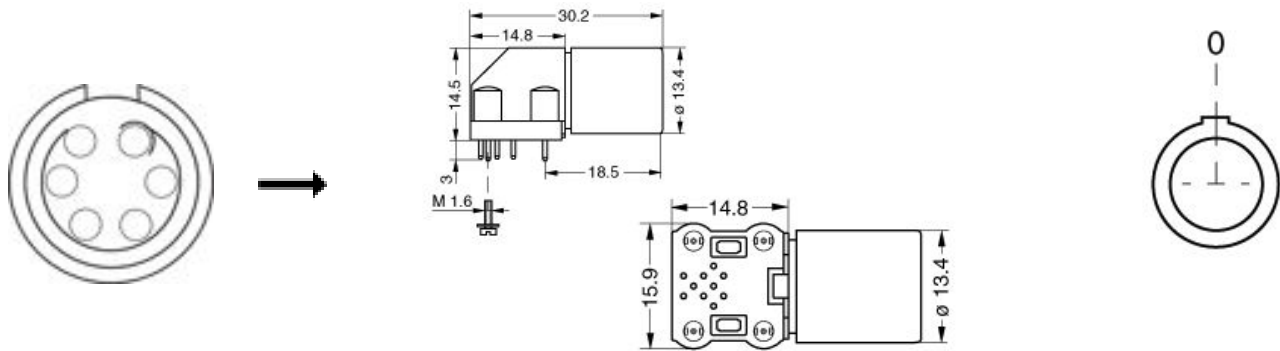
Contact Type: Print (straight)
Contact Dia.: 0.7 mm (0.0275in)
R (max): 6.5 mOhm
Test voltage (kV rms) Contact-contact: 1.05
Air clearance min.: 0.85 mm
Creepage distance min.: 0.85 mm

Others

LEMO products and services are provided "as is". LEMO makes no warranties or representations with regard to LEMO product & services or use of them, express, implied or statutory, including for accuracy, completeness, or security. The user is fully responsible for his products and applications using LEMO components.

Endurance (Shell): >2000 mating cycles
 F ret (min): 50 N
 F ret (max): 150 N
 Steam sterilization: > 100 times (with potting on rear connection)

DRAWINGS



Dimensions

	A	B	H	L	M
mm.	13.4	15.9	17.5	30.2	14.8
in.	0,53	0,63	0,69	1,19	0,58

RECOMMENDED BY LEMO

Tools

Cables

LEMO products and services are provided "as is". LEMO makes no warranties or representations with regard to LEMO product & services or use of them, express, implied or statutory, including for accuracy, completeness, or security. The user is fully responsible for his products and applications using LEMO components.