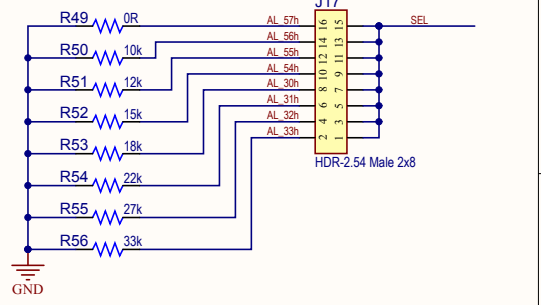
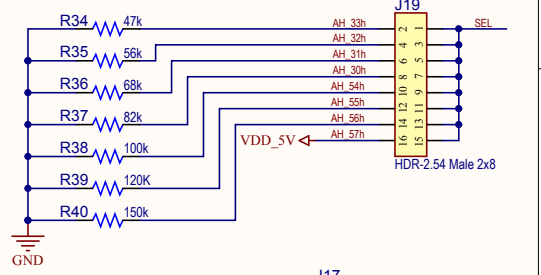
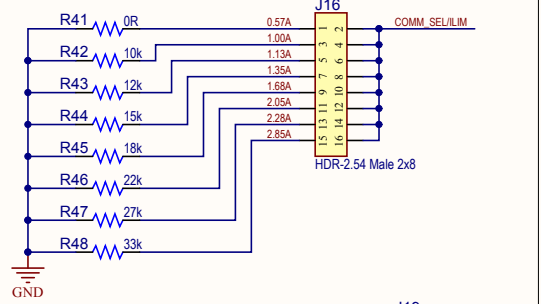
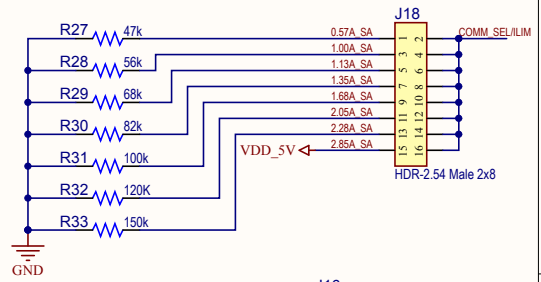




REV	ECO #	DESCRIPTION	DATE
-----	-------	-------------	------



Drawn By: Bogdan Popescu			
Engineer: Adrian Toader			
PartNumber: ADM00561		Project Title <b>UC8S1003 Eval Board</b>	
Sheet Title <b>UC8S1003</b>		Designed with 	
Size <b>B</b>	Sch #:03-10243 Revision:4	Date: 6/12/2014 6:02:42 PM Sheet 1 of 1	Altium.com
File: UC8S1003.SchDoc			