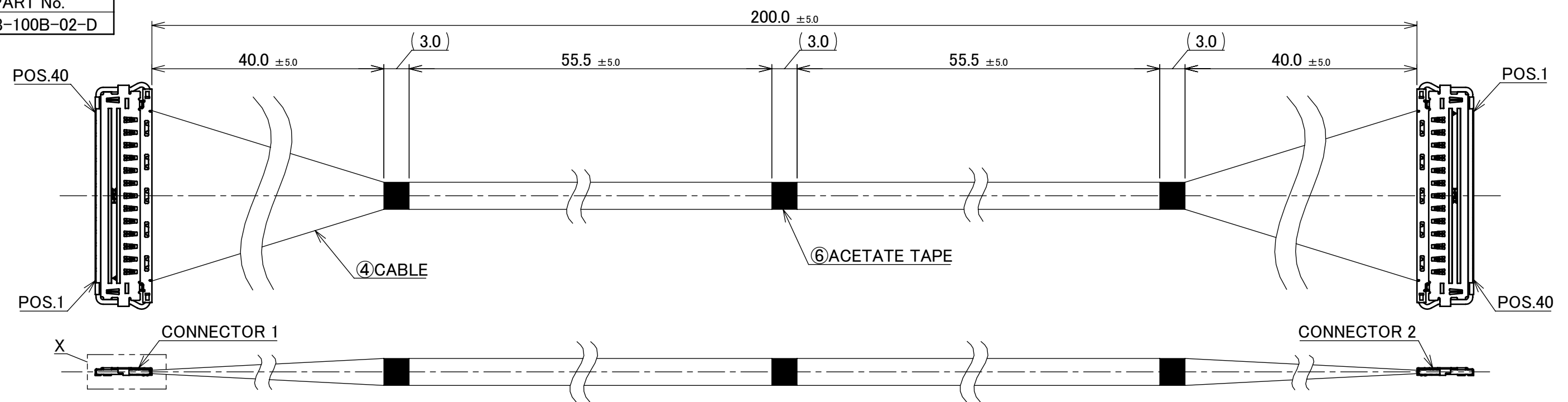
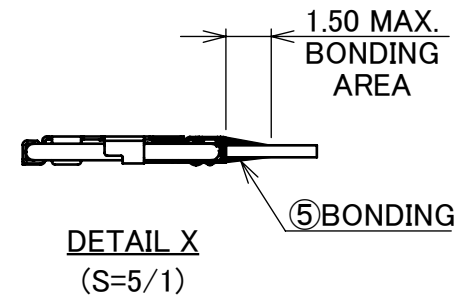
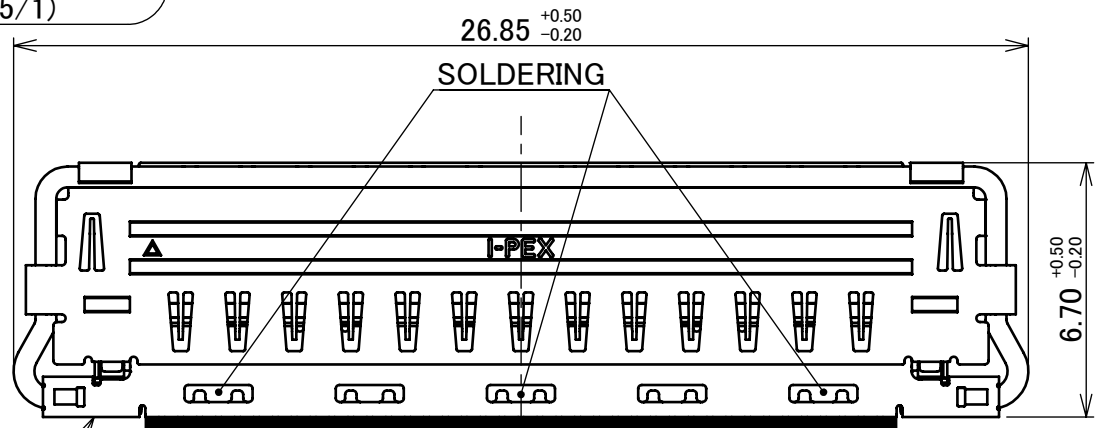


PART No.
81458-100B-02-D

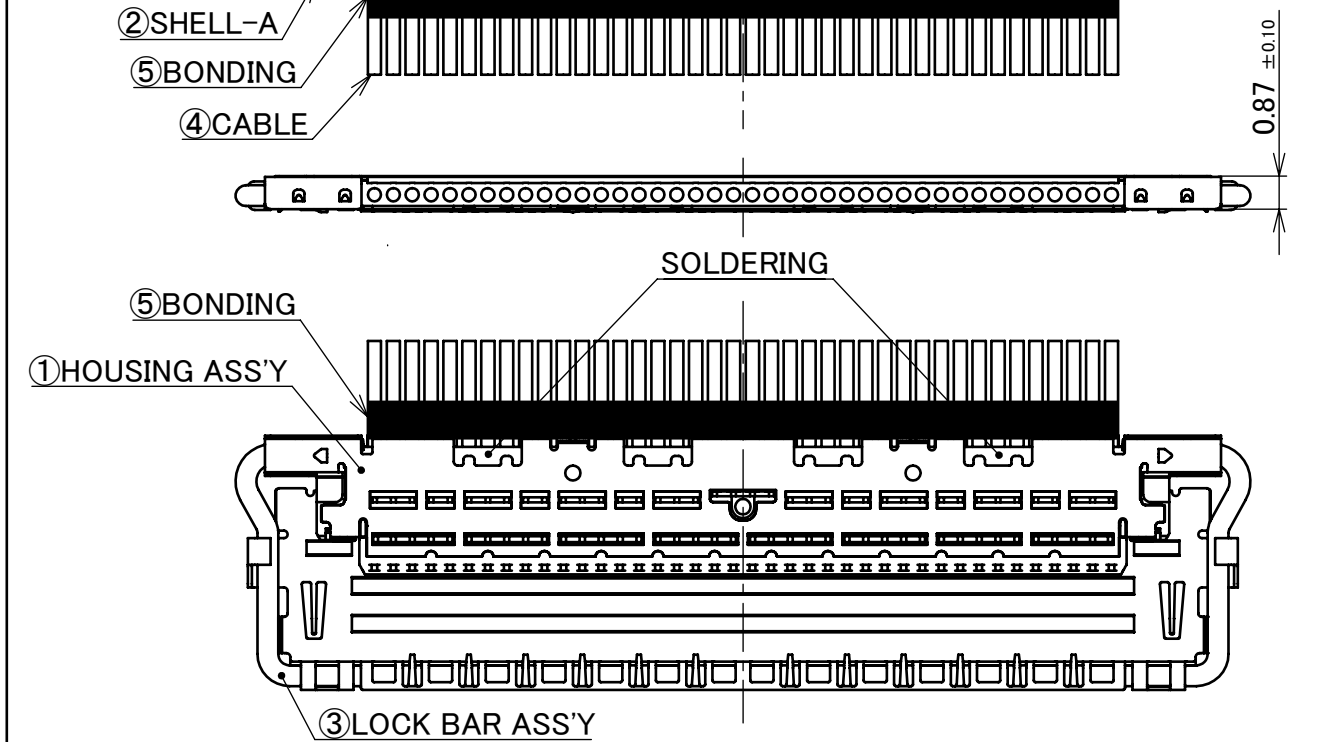


CONNECTOR 1&2
(S=5/1)



PIN ASSIGNMENT		
CONNECTOR 1	CABLE	CONNECTOR 2
40	MICRO-COAXIAL AWG#40 50 OHM, BLUE	1
39	MICRO-COAXIAL AWG#40 50 OHM, BLUE	2
.	MICRO-COAXIAL AWG#40 50 OHM, BLUE	.
2	MICRO-COAXIAL AWG#40 50 OHM, BLUE	39
1	MICRO-COAXIAL AWG#40 50 OHM, BLUE	40

NOTE.
1. TO HANDLE THIS CONNECTOR YOU MUST READ AND FOLLOW THE INSTRUCTION MANUAL BELOW. I-PEX INSTRUCTION MANUAL No.HIM-17015.
2. ELECTRIC CHARACTERISTICS
WITHSTANDVOLTAGE : AC 250V(1SEC.) LEAKAGE CURRENT 2.0mA MAX. INSULATION RESISTANCE : 50MΩ MIN. DC 100V (0.5SEC.)



NO.	DESCRIPTION	PARTS NO.	QTY	REMARK
6	ACETATE TAPE	-	3	BLACK
5	BONDING	-	-	UV GLUE
4	CABLE	-	40	MICRO-COAXIAL AWG #40 50 OHM, BLUE
3	LOCK BAR ASS'Y	20848-040T-01	2	CONNECTOR 1 & 2
2	SHELL-A	3427-0401	2	CABLINE-VS II PLUG P/N : 20846-040T-01
1	HOUSING ASS'Y	20847-040T-01	2	CONNECTOR TO BE MATED : 20849-040E-01

For DIGI-KEY CORPORATION

ANGLE	±2°	6 OVER 30 MAX.	±0.3	PROJECTION	SERIES No.	CUSTOMER COPY
	6 MAX.	±0.2	30 OVER 120 MAX.	±0.5	IH-210016	
GENERAL TOLERANCE.				TITLE	SCALE	I-PEX
DWG.	K.Baba	DATE	2021/05/19	CABLINE®-VS II 40P HARNESS	2:1	
CHK.	R.Takei				UNIT	
0	Z210510	K.B	May/19/'21	DWG. No.	81458	mm
REV.	ECN	BY	DATE	APP.	H.Ikari	SIZE
REVISION RECORD						A3
						SHEET
						1/1
						REV.
						0