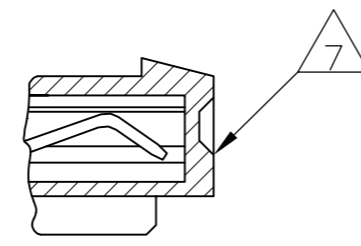
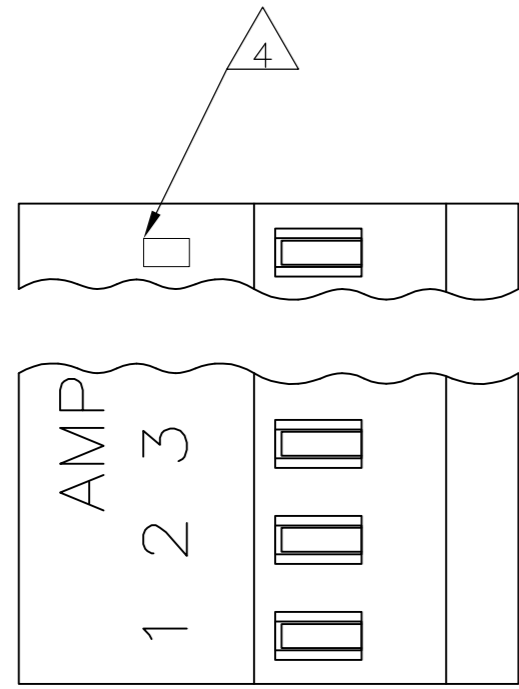
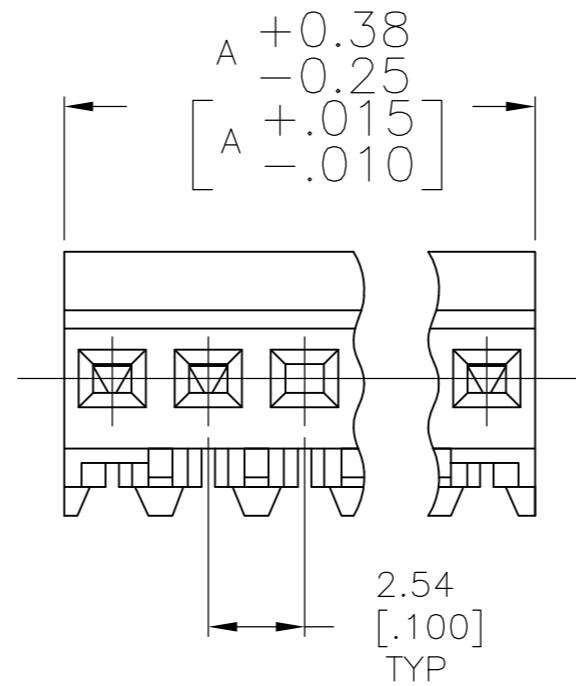
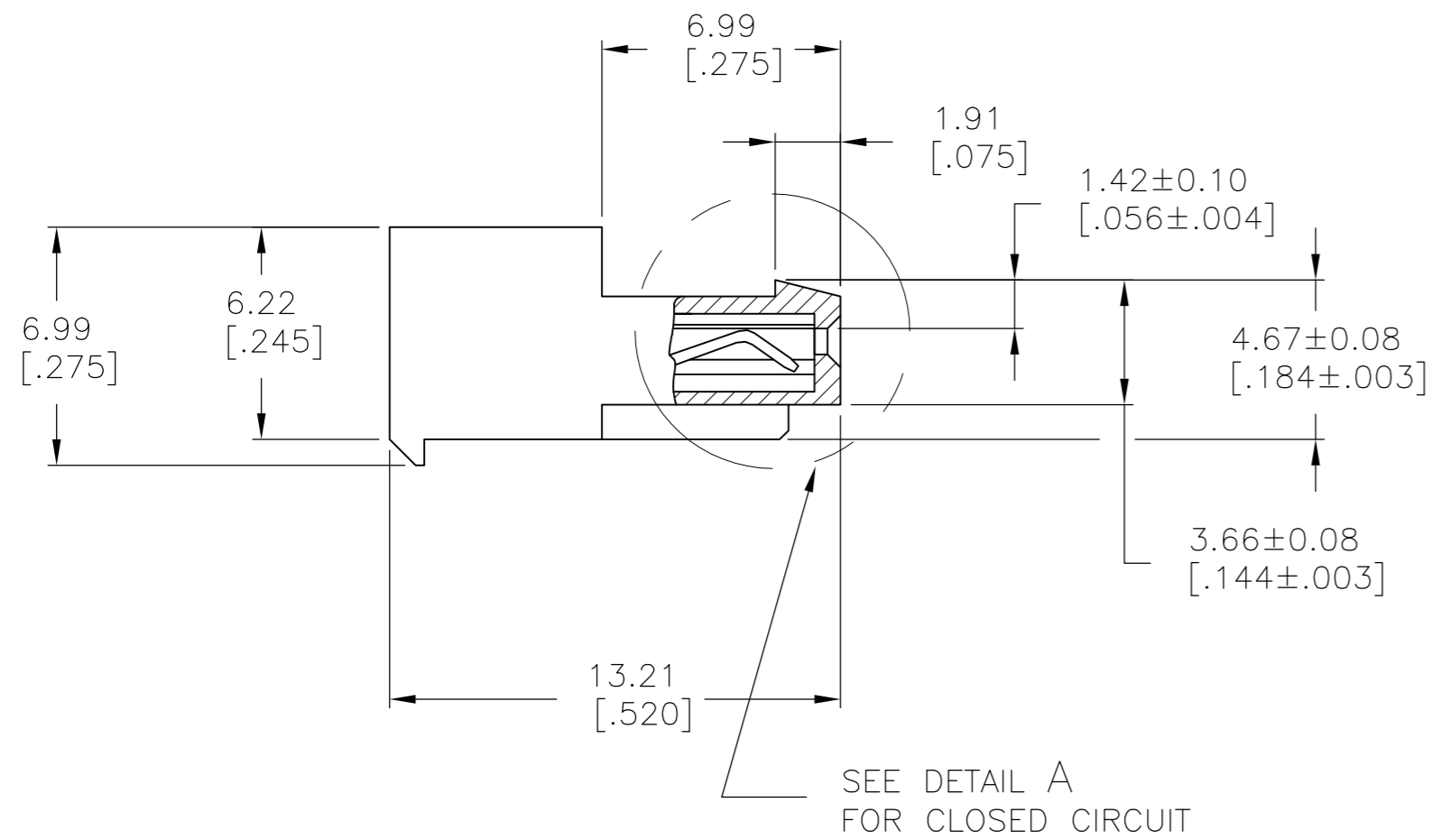


THIS DRAWING IS UNPUBLISHED. RELEASED FOR PUBLICATION  
 © COPYRIGHT BY TYCO ELECTRONICS CORPORATION. ALL RIGHTS RESERVED.

LOC	DIST	REVISIONS					
CM	00	P	LTR	DESCRIPTION	DATE	DWN	APVD
		F		REVISED PER ECR-17-018812	12FEB2018	BDA	SG



DETAIL A



FINISH	DIM A	NO OF CIRCUITS	PART NO
TIN	17.78 [.700]	7	3-644551-7
TIN-LEAD	17.78 [.700]	7	-644551-7-

8 SUPERSEDED

- 1 MATERIAL: CONNECTOR - NYLON UL94V-2 (RED).  
CONTACTS - 0.30[.012] THICK COPPER ALLOY  
MATTE WHISKER MITIGATED TIN  
0.00203[.000080] MIN THICKNESS  
OVER NICKEL UNDERPLATE OR BRIGHT  
TIN-LEAD 93/7 0.00203[.000080] MIN  
THICKNESS. SEE FINISH COLUMN FOR  
PLATING TYPE.
- 2. CONTACTS ACCEPT 22 AWG WIRE WITH 1.52[.060] MAX  
INSULATION DIAMETER.
- 3. CONTACTS MUST ACCEPT 0.64±0.03[.025±.001] SQUARE  
POST AND REMAIN LOCKED IN POSITION.
- 4 IDENTIFICATION NUMBER FOR LAST CIRCUIT MAY  
NOT APPEAR ON ALL ASSEMBLIES.
- 5. DIMENSIONS IN BRACKETS ARE IN INCHES.
- 6. HOUSING FEATURES ARE: CLOSED END WITH LOCKING RAMP.
- 7 DETAIL A SHOWS CIRCUIT NO. 3 MOLDED CLOSED.
- 8 OBSOLETE PARTS

THIS DRAWING IS A CONTROLLED DOCUMENT.		DWN B. LEWIS 22APR91	Tyco Electronics Corporation Harrisburg, Pa 17105-3608													
DIMENSIONS: mm [INCHES]		CHK R. SWING 22APR91														
TOLERANCES UNLESS OTHERWISE SPECIFIED:		APVD G. MILLER 22APR91														
<table border="1"> <tr><td>0 PLC</td><td>± -</td></tr> <tr><td>1 PLC</td><td>± -</td></tr> <tr><td>2 PLC</td><td>± -</td></tr> <tr><td>3 PLC</td><td>± 0.13 [.005]</td></tr> <tr><td>4 PLC</td><td>± -</td></tr> <tr><td>ANGLES</td><td>± -</td></tr> </table>		0 PLC	± -	1 PLC	± -	2 PLC	± -	3 PLC	± 0.13 [.005]	4 PLC	± -	ANGLES	± -	NAME 108-1050 APPLICATION SPEC 114-1019	MTA 100 CONNECTOR ASSEMBLY, 22 AWG, NO.3 CIRCUIT CLOSED, SPECIAL	
0 PLC	± -															
1 PLC	± -															
2 PLC	± -															
3 PLC	± 0.13 [.005]															
4 PLC	± -															
ANGLES	± -															
MATERIAL 1	FINISH 1	WEIGHT	SIZE A2	CAGE CODE 00779												
CUSTOMER DRAWING		SCALE 5:1	DRAWING NO C=644551	RESTRICTED TO -												
		SHEET 1	OF 1	REV F												