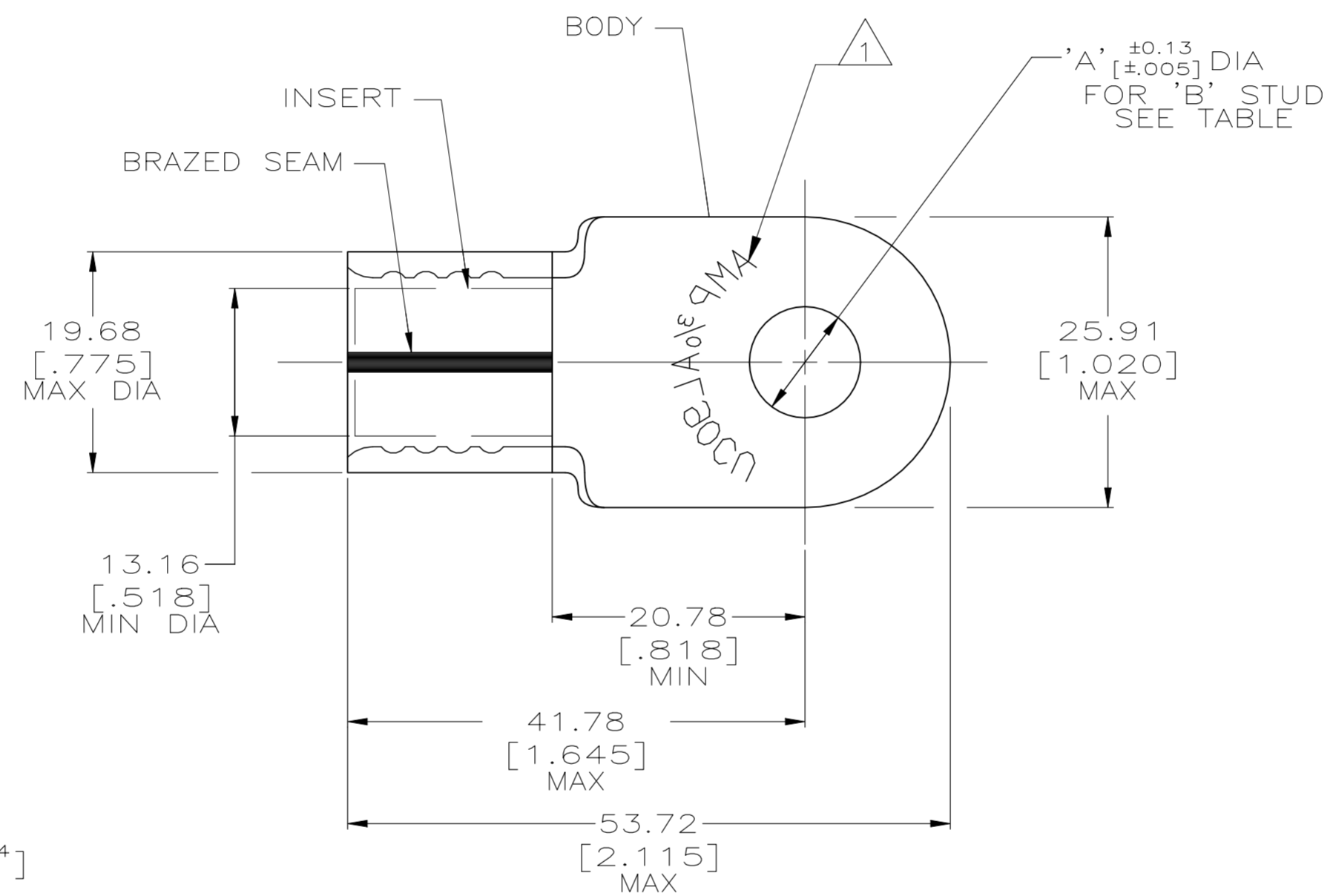


WARNING - THIS DOCUMENT CONTAINS TECHNOLOGY WHOSE EXPORT IS RESTRICTED BY THE EXPORT ADMINISTRATION REGULATIONS ("EAR") PURSUANT TO 15 C.F.R. PARTS 730-774. VIOLATIONS OF THE EAR ARE SUBJECT TO SEVERE CRIMINAL PENALTIES UNDER THE EXPORT CONTROL REFORM ACT, AS AMENDED (TITLE 50, U.S.C., SEC. 4801, ET SEQ.).

| REVISIONS | | | | |
|-----------|-----|-----------------------|-----------|--------|
| P | LTR | DESCRIPTION | DATE | APVD |
| L | | REV PER ECN-23-196899 | 26MAY2023 | JAB PD |



- 1 STAMP AMP 3/0 AL90CU APPROX AS SHOWN
- 2 TONGUE MATERIAL THK: 2.31^{±0.10} [.091^{±.004}]

| | | | |
|--------------|------------|--|---------|
| 13.08 [.515] | 1/13 [1/2] | BODY: COPPER PER ASTM B-152 TIN PL 0.00254[.000100] MIN THK PER MIL-T-10727 | 51992-3 |
| OBSOLETE | | | 51992-2 |
| 9.91 [.390] | 3/10 [3/8] | INSERT: BRASS PER MIL-C-50 TIN PL 0.00076[.000030] MIN EXT THK PER MIL-T-10727 | 51992-1 |
| OBSOLETE | | | 51992 |
| 'A' | 'B' | MATERIAL & FINISH | PART NO |

| AMP INCORPORATED CUSTOMER SERVICE SYSTEMS | | MAX RECOMMENDED OPERATING TEMPERATURE: 150° C MAX |
|--|--|---|
| FOR ADDITIONAL PRODUCT INFORMATION OR COPIES OF DRAWINGS AND TECHNICAL DOCUMENTS | PRODUCT INFORMATION CENTER 1-800-522-6752 | VOLTAGE RATING: NOT APPLICABLE |
| FOR APPLICATION TOOLING INFORMATION | TOOLING ASSISTANCE CENTER 1-800-722-1111 | CIRCULAR MIL AREA: 76.3-96.3mm² [150,500-190,000] CIR MILS SOLID OR STRANDED |
| FOR ORDER ENTRY | 1-800-526-5142 | THIS DRAWING IS A CONTROLLED DOCUMENT FOR AMP INCORPORATED. IT IS SUBJECT TO CHANGE AND THE CONTROLLING ENGINEERING ORGANIZATION SHOULD BE CONTACTED FOR THE LATEST REVISION. |

| | | | | |
|--|---------------------|-----------------------------|---|--------------------|
| THIS DRAWING IS A CONTROLLED DOCUMENT. | | DWN DK_SCHRUM 8/3/93 | | |
| DIMENSIONS: mm [INCHES] | | CHK AJ KAUFMAN 8/9/93 | | |
| TOLERANCES UNLESS OTHERWISE SPECIFIED: | | APVD - | NAME TERMINAL, RING TONGUE, COPALUM TM | |
| 0 PLC ± - | | PRODUCT SPEC - | SIZE A2 | CAGE CODE 00779 |
| 1 PLC ± - | | APPLICATION SPEC - | DRAWING NO C-51992 | RESTRICTED TO - |
| 2 PLC ± 0.20[.008] | | | WEIGHT 0.000000 | SCALE 2:1 |
| 3 PLC ± - | | | CUSTOMER DRAWING | SHEET 1 OF 1 |
| 4 PLC ± - | | | | REV L |
| ANGLES ± - | | | | |
| MATERIAL SEE TABLE | FINISH SEE TABLE | | | |