

THIS DRAWING IS UNPUBLISHED.

RELEASED FOR PUBLICATION

ALL RIGHTS RESERVED.

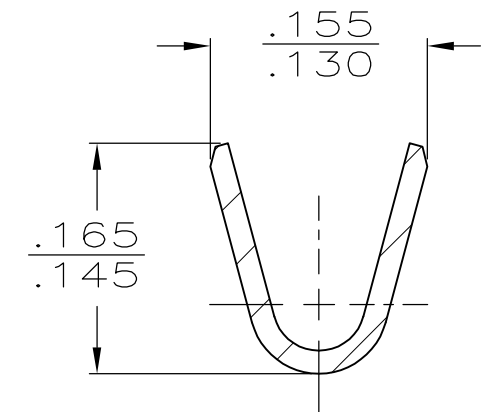
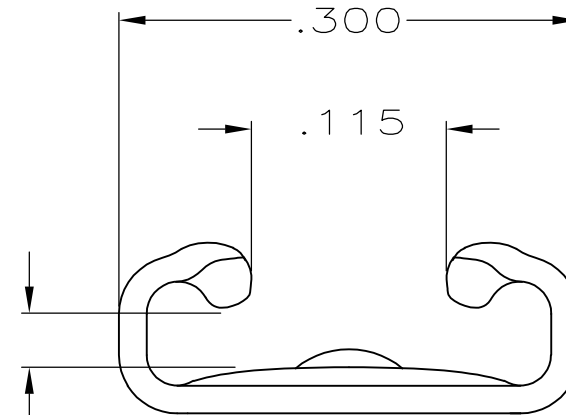
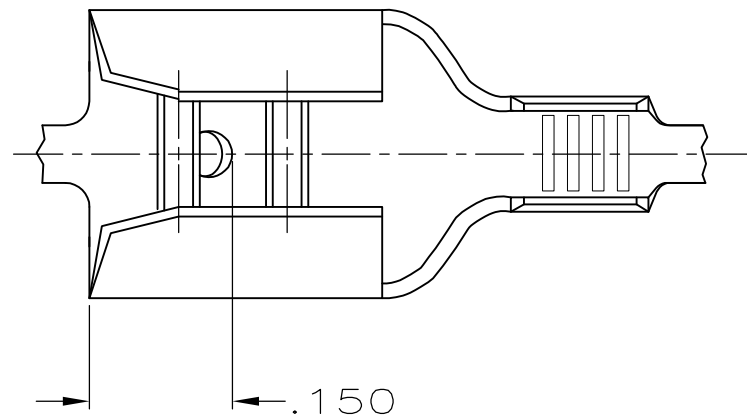
© COPYRIGHT - By -

LOC AF DIST 50

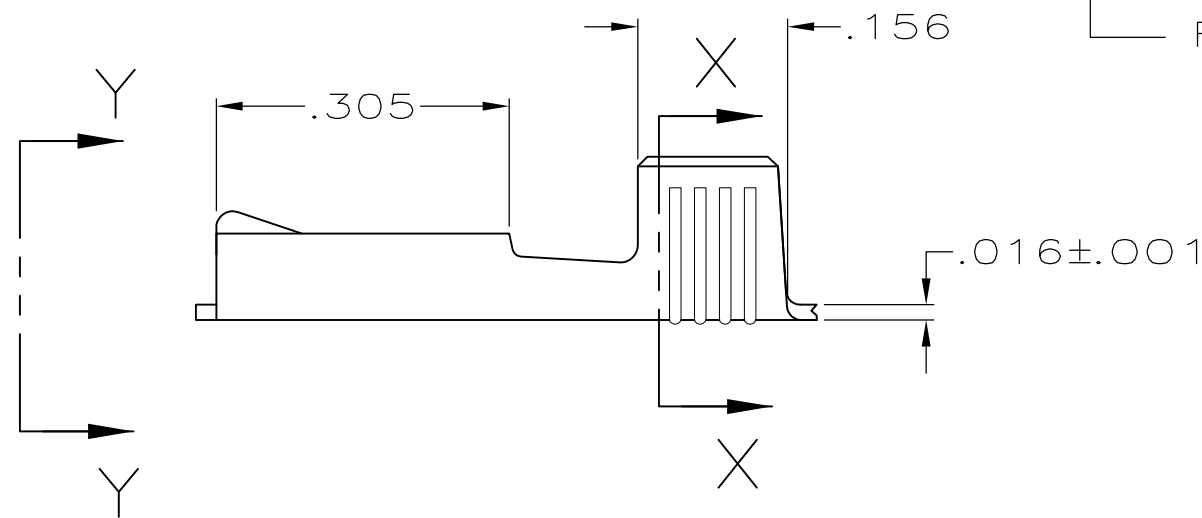
REVISIONS

P	LTR	DESCRIPTION	DATE	DWN	APVD
	F	REVISED PER ECR-12-013445	18OCT12	KH	PD

1 CONTINUOUS STRIP ON REELS



SECTION X-X
SCALE 8:1



FITS .250 SERIES
FASTON TAB

VIEW Y-Y
SCALE 8:1

TIN	18-14	.032	42845-2
-			42845-1
FINISH	WIRE SIZE	MATING TAB THK ±.001	PART NO

THIS DRAWING IS A CONTROLLED DOCUMENT.		DWN JR RUTH 5/9/90	TE Connectivity RECEPTACLE, FASTON, .250 SERIES	
DIMENSIONS: INCHES		CHK MS FEHER 5/9/90		
TOLERANCES UNLESS OTHERWISE SPECIFIED:		APVD C MEYERS 5/9/90		
0 PLC ± - 1 PLC ± - 2 PLC ± - 3 PLC ± .015 4 PLC ± - ANGLES ± -		NAME		
MATERIAL BRASS		FINISH SEE TABLE	PRODUCT SPEC -	SIZE A3
			APPLICATION SPEC -	CAGE CODE 00779
			WEIGHT -	DRAWING NO C-42845
			CUSTOMER DRAWING	RESTRICTED TO -
				SCALE 5:1
				SHEET 1 OF 1
				REV F