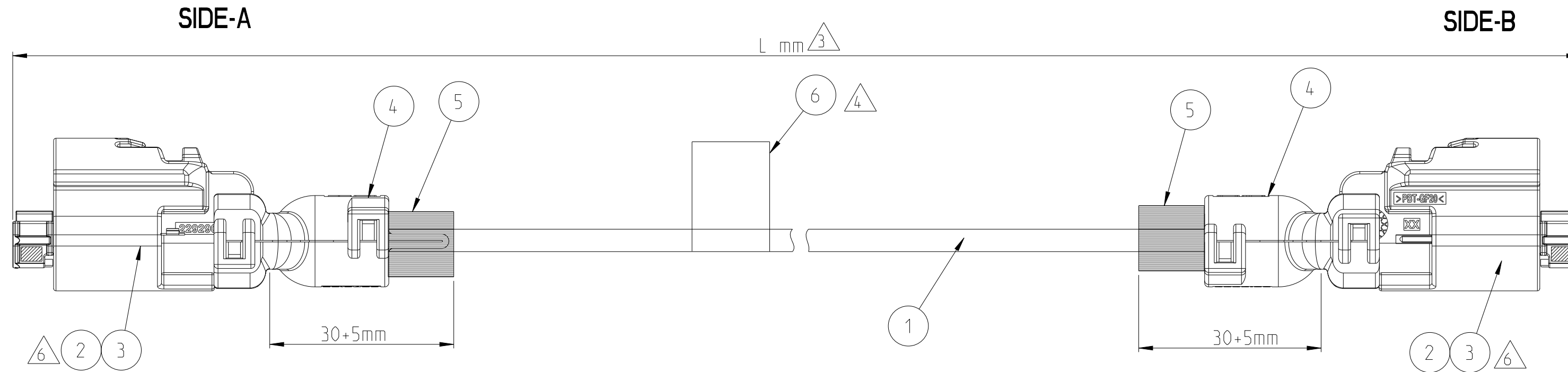


P	LTR	DESCRIPTION	DATE	DWN	APVD
A3		PCN E-20-014520	13OCT2020	MK	GL
A4		PCN E-21-002058	12FEB2021	PN	GL
B		ECN-23-212192	04MAY2023	GB	GL
B1		ECN-23-215441	16MAY2023	RK	GL



**TABLE LEGEND:**

TE CONNECTIVITY :   
 TE PN : SEE TABLE  
 REV : SEE TABLE  
 YYCWD

**LENGTH SCHEDULE**

TE PN	REV	ALIAS PART NO	LENGTH L (mm)	TOL (mm)
2362353-1	A	UTPB-ESFSA-ESFSA-500	500	+20
2362353-2	B	UTPB-ESFSA-ESFSA-100	1000	+20
2362353-3	B	UTPB-ESFSA-ESFSA-1500	1500	+30
2362353-4	B	UTPB-ESFSA-ESFSA-3000	3000	+40
2362353-5	B	UTPB-ESFSA-ESFSA-5000	5000	+40

**NOTES :**

- 1 PACKAGING:  
ASSEMBLY IN TE STANDARD CARTON
- 2 ELECTRICAL TEST: 100% FOR SHORT CIRCUIT ACC. TE SPECIFICATION 108-18857. STANDARD TEST 3.1.1 a,b,d AND 3.1.2 d.e.m.
- LENGTH "L" ACCORDING TABLE IS FOR STRAIGHT CABLE.
- LABEL PRINT SEE LABEL LEGEND
- 5 APPLICATION SPECIFICATION FOR enetSEAL 114-151045 APPLICATION SPECIFICATION FOR MCON 1.2 mm CONTACT SYSTEM 114-18464 INSTRUCTION SHEET FOR 1.2-mm MCON WIRE DRESS COVER 408-32185
- RETAINER PRESENT AND CLOSED.
- REFER LENGTH SCHEDULE.

**WIRE COLOUR SCHEDULE**

MCON 1.2 RECEPTACLE	CAVITY#	SIDE A	SIDE B	MCON 1.2 RECEPTACLE
	1	WHITE	WHITE	
	2	BLUE	BLUE	

1	LABEL 60 X 50 MM	6
30±5mm	RNF-100-1/4-6-SP (SHRINKING TUBE BLUE)	5
2	MCON WIRE DRESS COVER, 2 POS PLUG, STRAIGHT	4
4	MCON 1.2 CB REC SRC Au	3
2	PLUG ASSEMBLY, SEALED, 2 POSITION MCON 1.2 CB	2
see table	2 POS. CABLE, 0.5 SQMM, ETHERNET, CHAMPLAIN	1
QTY	DESCRIPTION	ITEM NO.

PRODUCT CHARACTERISTICS ACC. QMP EMEA_12 BESONDERE MERKMALE NACH QMP EMEA_12		TOLERANCING ISO 8015 TOLERIERUNG ISO 8015	
DIESE ZEICHNUNG IST EIN KONTROLLIERTES DOKUMENT. BEMASSUNGEN UND TOLERANZEN GEMAESS GPS (ISO STANDARDS).			
THIS DRAWING IS A CONTROLLED DOCUMENT.			
DIMENSIONS: mm		TOLERANCES UNLESS OTHERWISE SPECIFIED:	
		0 PLC	±
		1 PLC	±
		2 PLC	±
		3 PLC	±
		4 PLC	±
		ANGLES	±
MATERIAL		FINISH	
-		-	

DWN CHANDRAKANTH 27APR2020		TE Connectivity	
CHK T. BAYRAM 27APR2020		NAME enetSEAL- FEMALE TO FEMALE CABLE ASSY	
APVD G. LINDEMANN 27APR2020		SIZE -	
PRODUCT SPEC		CAGE CODE A2100779	
APPLICATION SPEC		DRAWING NO C-2362353	
WEIGHT -		RESTRICTED TO	
CUSTOMER DRAWING		SCALE 2:1 SHEET 1 OF 1 REV B1	