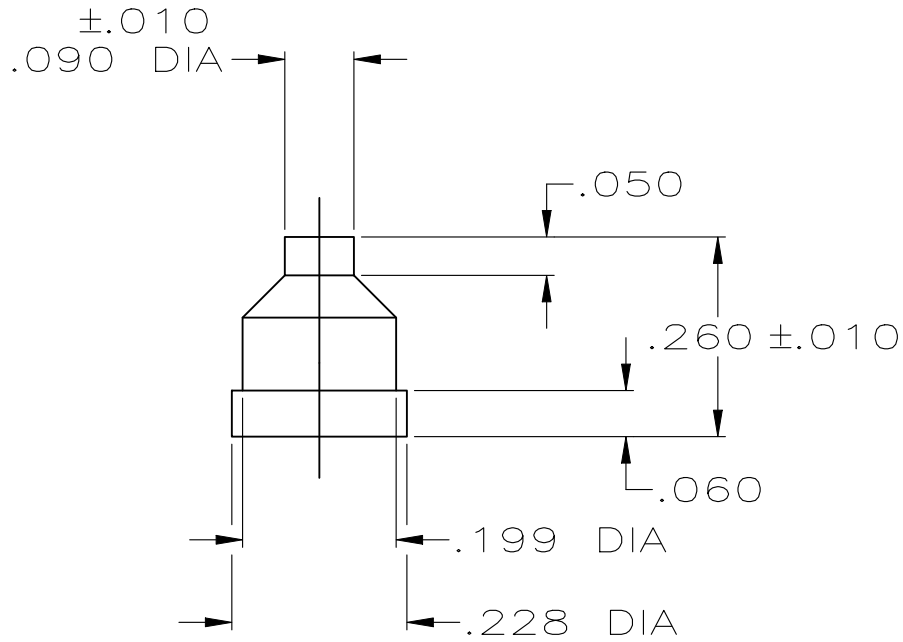


REVISIONS				
P	LTR	DESCRIPTION	DATE	APVD
C		REVISED FOR PART MATERIAL CHANGE	13JAN2021	SCK




TE Connectivity. All Rights Reserved.

1. THIN MEMBRANE PERMISSIBLE ON SMALL DIAMETER OF WIRE SEALS.

207565-2

PART NUMBER



DIMENSIONS: INCHES	DWN S.RIDGLEY	7/27/90 BG	MATERIAL BLACK RUBBER	FINISH -
	CHK -	-	 TE Connectivity	
TOLERANCES UNLESS OTHERWISE SPECIFIED:	APVD -	-		
	0 PLC \pm -	PRODUCT SPEC -	SIZE A4	CAGE CODE 00779
1 PLC \pm -	APPLICATION SPEC -	RESTRICTED TO -	SCALE 2:1	
2 PLC \pm -	WEIGHT -	SHEET 1 OF 1		REV C
3 PLC \pm .005	CUSTOMER DRAWING			
4 PLC \pm -				
ANGLES \pm -				

