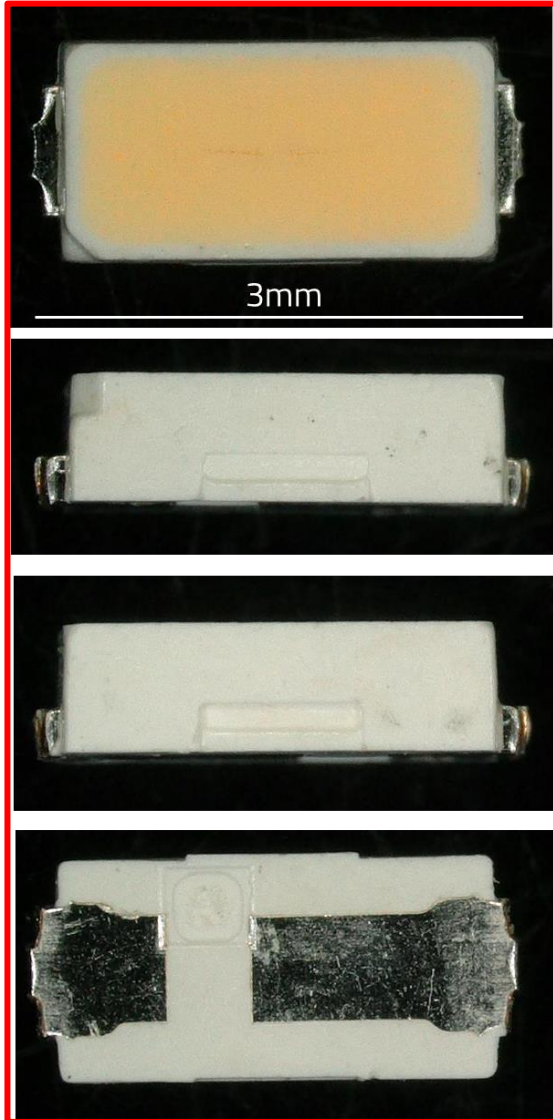




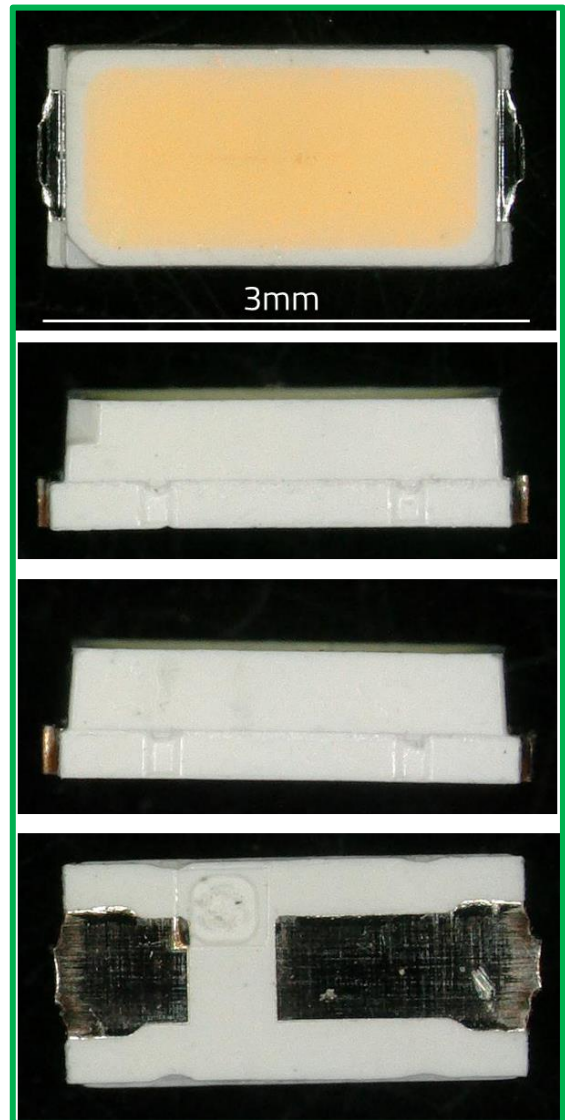
Product / Process Change Notification (PCN)	
<input checked="" type="checkbox"/> Major change <input type="checkbox"/> Minor change	
PCN #: PCN_WL-SWTP_20220527 Affected Series: WL-SWTP; 1583012xx PCN Date: May 27, 2022 Effective Date: May 27, 2022	Change Category: <input type="checkbox"/> Equipment / Location <input type="checkbox"/> General Data <input type="checkbox"/> Material <input checked="" type="checkbox"/> Process <input type="checkbox"/> Product Design <input type="checkbox"/> Shipping / Packaging <input type="checkbox"/> Supplier <input type="checkbox"/> Software
Contact: Product Management Phone: +49 (0) 7942 - 945 5001 Fax: +49 (0) 7942 - 945 5179 E-Mail: pcn.eisos@we-online.com	Data Sheet Change: <input checked="" type="checkbox"/> Yes <input type="checkbox"/> No Attachment: <input type="checkbox"/> Yes <input checked="" type="checkbox"/> No
Description and purpose of change: Due to packaging optimizations, Würth Elektronik has changed the lead frame fixing joint on the side of the package to ensure production capability. All products with date code 2022-04-01 or later, will be affected by this change. There will be no change in materials, markings, fit, function, quality or reliability of the product.	
Detail of Change: To optimize the production process and increasing production capability, the lead frame fixing joint has been changed. This change changes the appearance from the side. The materials, markings, fit, function, quality or reliability of the product do not change. Additionally, drawings in the datasheet are corrected.	

VISUAL APPEARANCE:

BEFORE CHANGE:



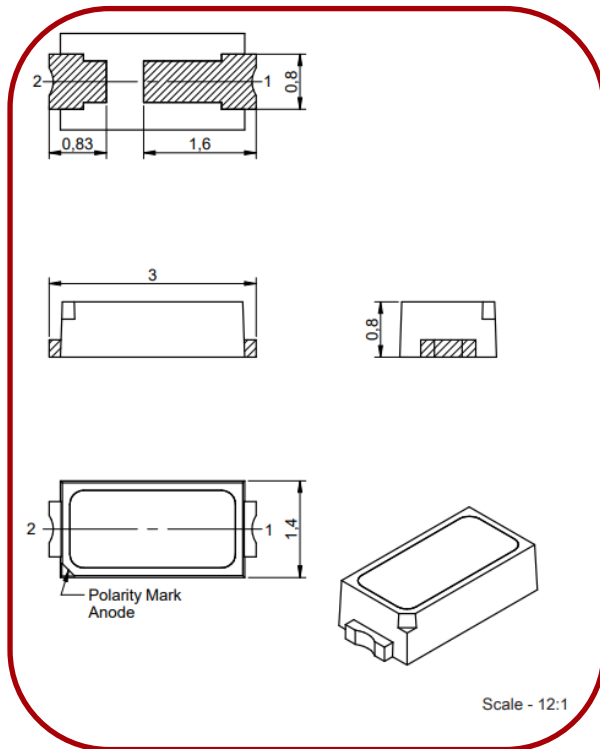
AFTER CHANGE:



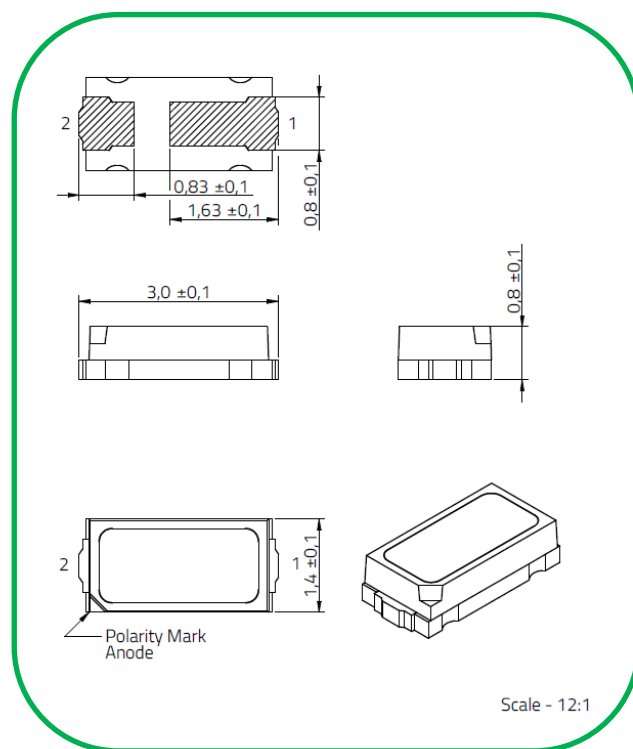
CORRECTION TO DATASHEET

TECHNICAL DRAWING:

BEFORE DATASHEET CORRECTION:

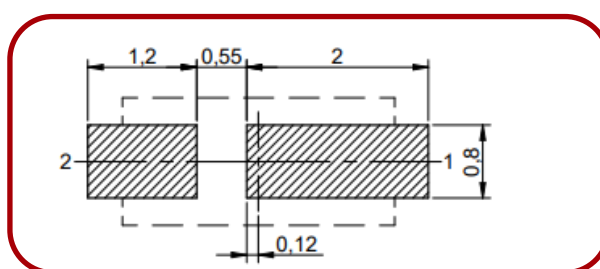


AFTER DATASHEET CORRECTION:

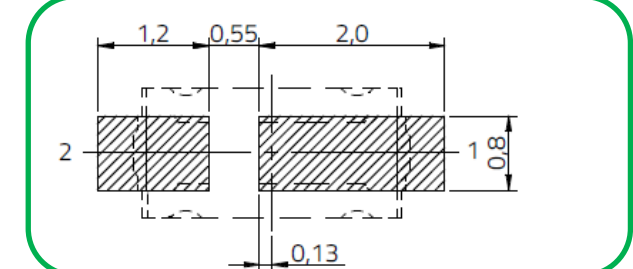


RECOMMENDED LAND PATTERN:

BEFORE DATASHEET CORRECTION:



AFTER DATASHEET CORRECTION:



Reliability / Qualification Summary:

Product approval is according to the specification and is internally released by the Product Management Department.