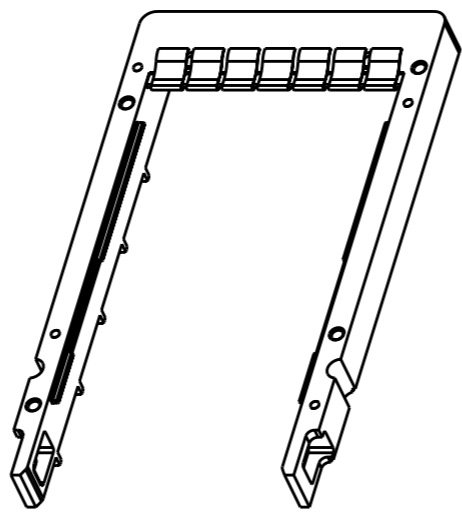


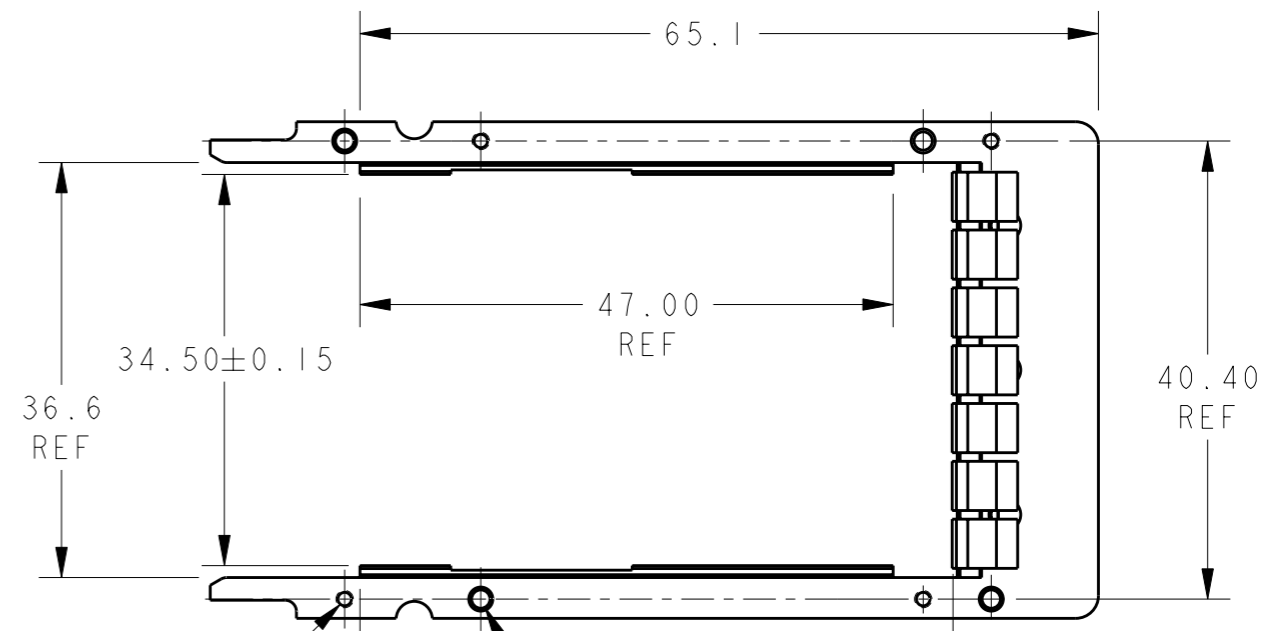
THIS DRAWING IS UNPUBLISHED. RELEASED FOR PUBLICATION 20
 © COPYRIGHT 20 BY TYCO ELECTRONICS CORPORATION. ALL RIGHTS RESERVED.

LOC	DIST	REVISIONS					
		P	LTR	DESCRIPTION	DATE	DWN	APVD
-	-		A	RELEASED PER ECO-07-007698	11APR07	BM	MS
			AI	ECR-08-019072	31JUL08	AZ	SY

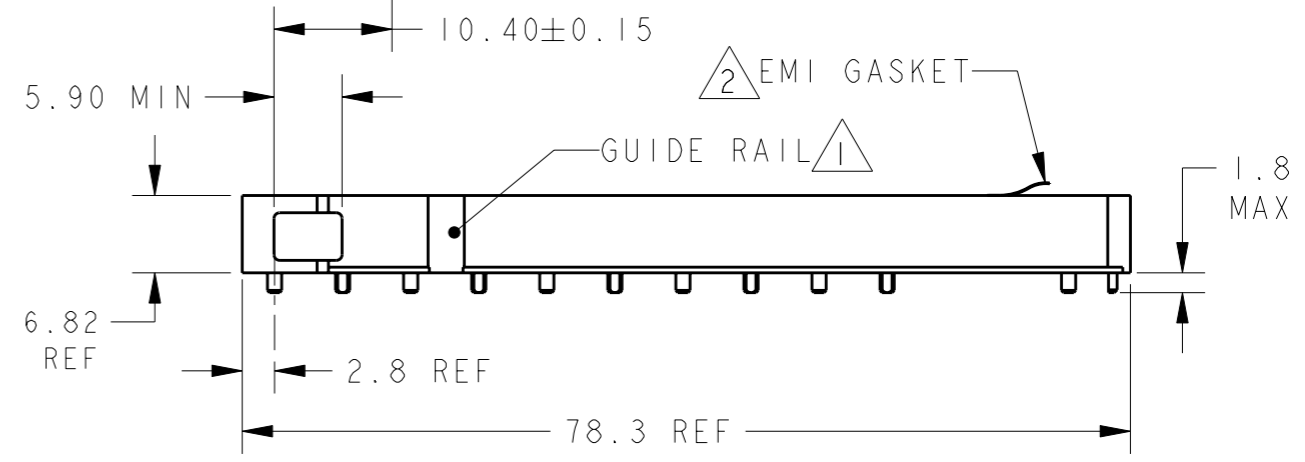
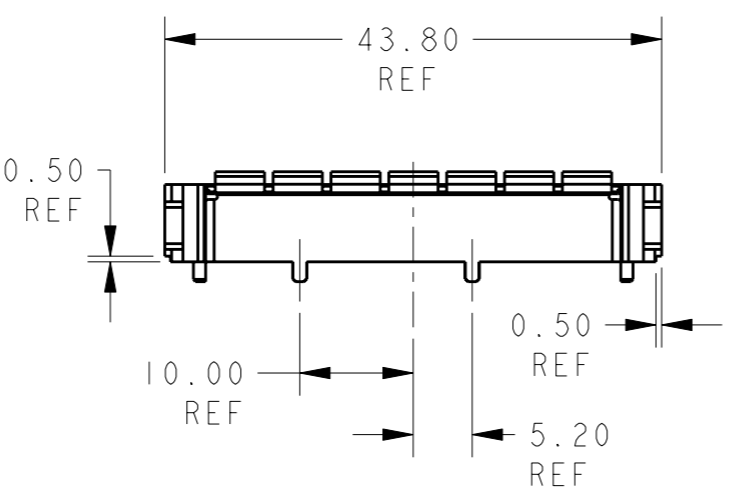
- 1. GUIDE RAIL MATERIAL: ZINC
GUIDE RAIL PLATING: 1.27 μM MIN THICK NICKEL,
OVER 5.0 μM MIN THK COPPER
- 2. EMI GASKET MATERIAL: COPPER ALLOY
EMI GASKET PLATING: MATTE TIN, 2.0 μM MIN THK
- 3. DATUMS X AND Y TO BE ESTABLISHED BY CUSTOMER
- 4. DESIGN ACCEPTS MODULES THAT ARE COMPLIANT WITH X2 SPECIFICATION REV 2.0b
- 5. SEE CUSTOMER DRAWING 1367337-1 FOR CONNECTOR PAD DIMENSIONS
- 6. RECOMMENDATION FOR PCB HOLES:
A. HOLE DIA. AFTER DRILLING: 1.55 +0.02
B. HOLE DIA. AFTER TIN-LEAD PLAT: 1.45+.05
C. 25-50 MICROMETERS COPPER UNDERPLATE
D. MAXIMUM 35 MICROMETERS TIN-LEAD PLATING
- 7. 3.0 MINIMUM PCB THICKNESS FOR BELLY TO BELLY APPLICATION
- 8. BEZEL REQUIREMENTS PER X2 MSA SPECIFICATION REV 2.0b
- 9. #0-80 SOCKET HEAD CAP SCREW SUPPLIED BY CUSTOMER. 4 PLACES.
- 10. OPTIONAL HOLES FOR M3 SCREW / STANDOFFS
- 11. CROSS HATCH AREA DENOTES RAISED SURFACE, 0.5mm OFF HOST BOARD
- 12. SURFACE OF RAIL IN CONTACT WITH HOST BOARD
- 13. REFERENCE INSTRUCTION SHEET 408-10102 FOR ADDITIONAL INFORMATION.



SCALE 1:1



#0-80 THD THRU HOLE 4 PLC
 Ø 1.62 ± 0.05 4 HOLES
 52.2 MIN



PART NUMBER 1367710-1

<small>THIS DRAWING IS A CONTROLLED DOCUMENT FOR TYCO ELECTRONICS CORPORATION IT IS SUBJECT TO CHANGE AND THE CONTROLLING ENGINEERING ORGANIZATION SHOULD BE CONTACTED FOR THE LATEST REVISION.</small>		DWN D.E.STAHL 16JUN2005 CHK E.BRIGHT 16JUN2005 APVD E.BRIGHT 16JUN2005		tyco Tyco Electronics Electronics Harrisburg, PA 17105-3608	
DIMENSIONS: mm 		TOLERANCES UNLESS OTHERWISE SPECIFIED: 0 PLC ±.5 1 PLC ±.2 2 PLC ±.1 3 PLC ±.05 4 PLC ±. ANGLES ±.1		NAME X2 CAST METAL GUIDE FRAME, TYPE 2	
MATERIAL -		FINISH -		SIZE A300779 C-1367710 RESTRICTED TO -	
CUSTOMER DRAWING				SCALE 3:2	SHEET 1 OF 4 REV AI

4

3

2

1

THIS DRAWING IS UNPUBLISHED. RELEASED FOR PUBLICATION 20
 © COPYRIGHT 20 BY TYCO ELECTRONICS CORPORATION. ALL RIGHTS RESERVED.

LOC	DIST	REVISIONS			
P	LTR	DESCRIPTION	DATE	DWN	APVD
-	-	SEE SHEET 1	-	-	-

D

D

C

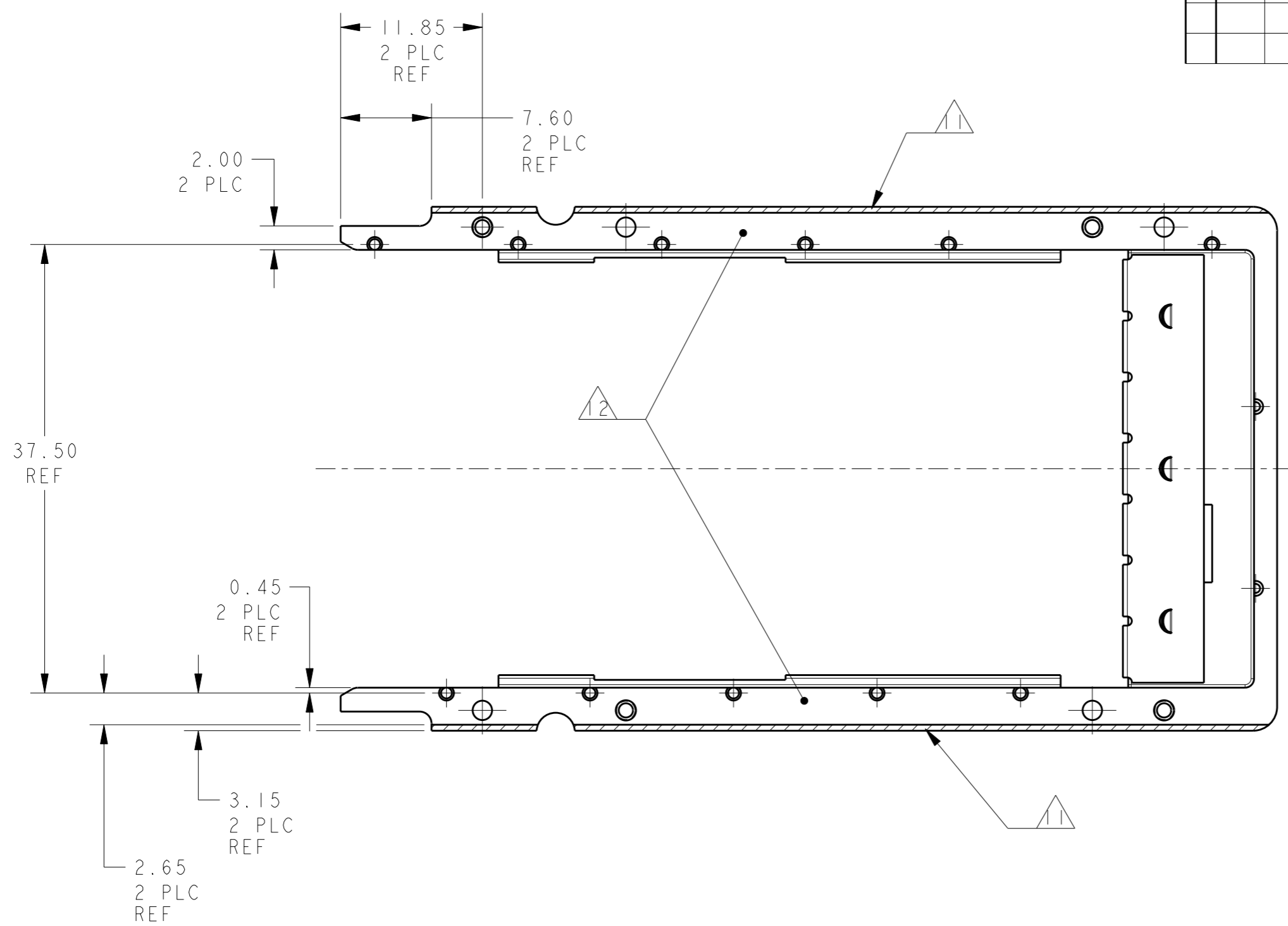
C

B

B

A

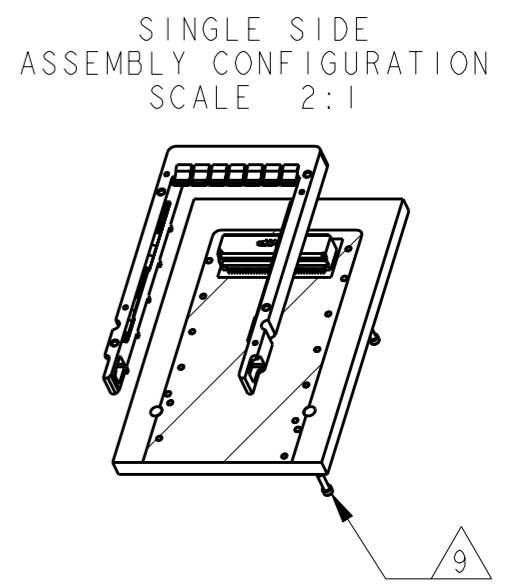
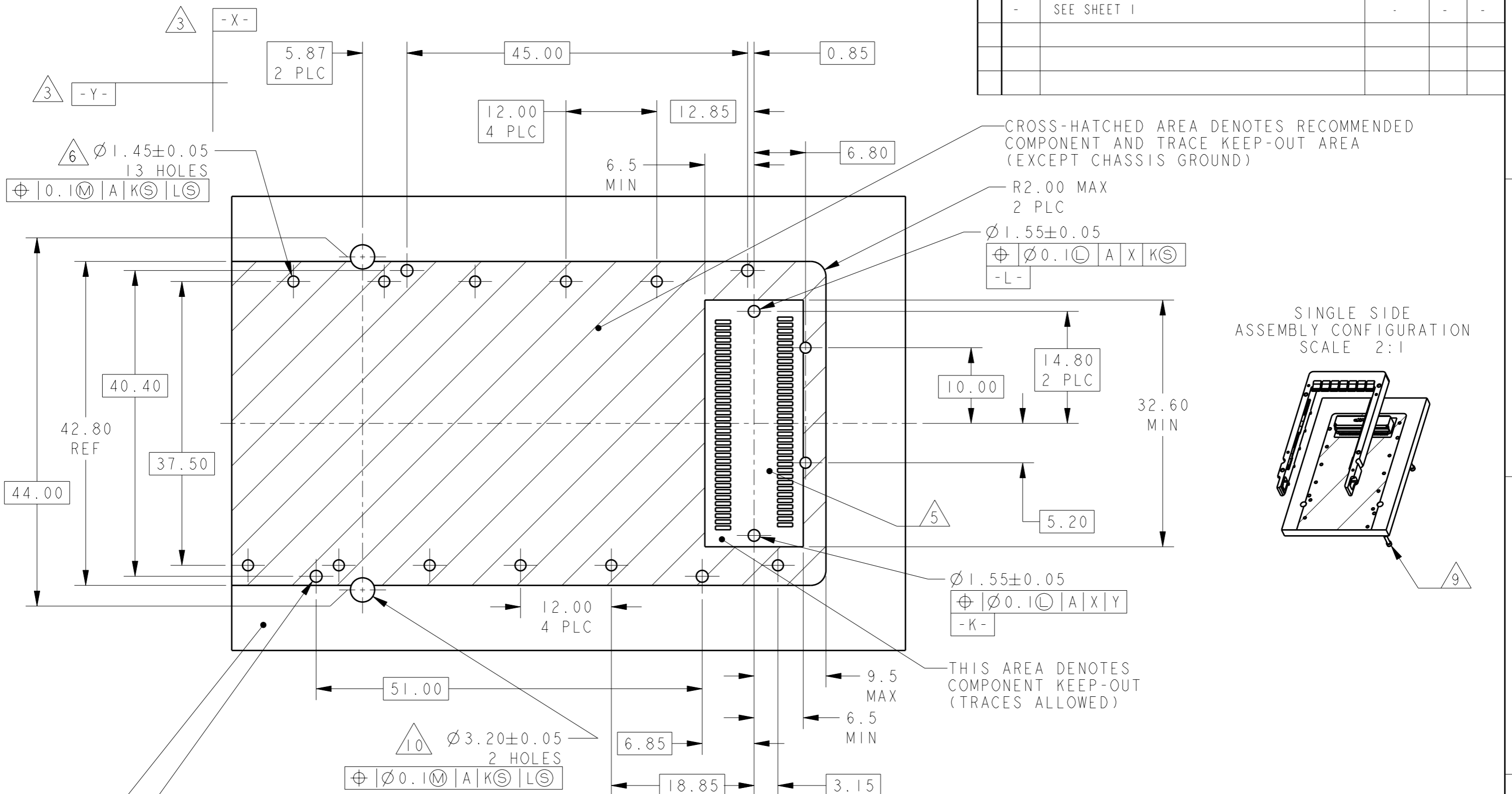
A



<small>THIS DRAWING IS A CONTROLLED DOCUMENT FOR TYCO ELECTRONICS CORPORATION IT IS SUBJECT TO CHANGE AND THE CONTROLLING ENGINEERING ORGANIZATION SHOULD BE CONTACTED FOR THE LATEST REVISION.</small>		DWN D.E. STAHL 16JUN2005 CHK E. BRIGHT 16JUN2005 APVD E. BRIGHT 16JUN2005		Tyco Electronics Harrisburg, PA 17105-3608	
DIMENSIONS: mm		TOLERANCES UNLESS OTHERWISE SPECIFIED: 0 PLC ±.5 1 PLC ±.2 2 PLC ±.1 3 PLC ±.05 4 PLC ±. ANGLES ±.1		NAME X2 CAST METAL GUIDE FRAME, TYPE 2	
		MATERIAL - FINISH -		PRODUCT SPEC - APPLICATION SPEC - WEIGHT -	
CUSTOMER DRAWING		SCALE 3:2		SIZE A300779 C-1367710 SHEET 2 OF 4 REV A	

THIS DRAWING IS UNPUBLISHED. RELEASED FOR PUBLICATION 20
 © COPYRIGHT 20 BY TYCO ELECTRONICS CORPORATION. ALL RIGHTS RESERVED.

LOC	DIST	REVISIONS			
P	LTR	DESCRIPTION	DATE	DWN	APVD
-	-	SEE SHEET 1	-	-	-

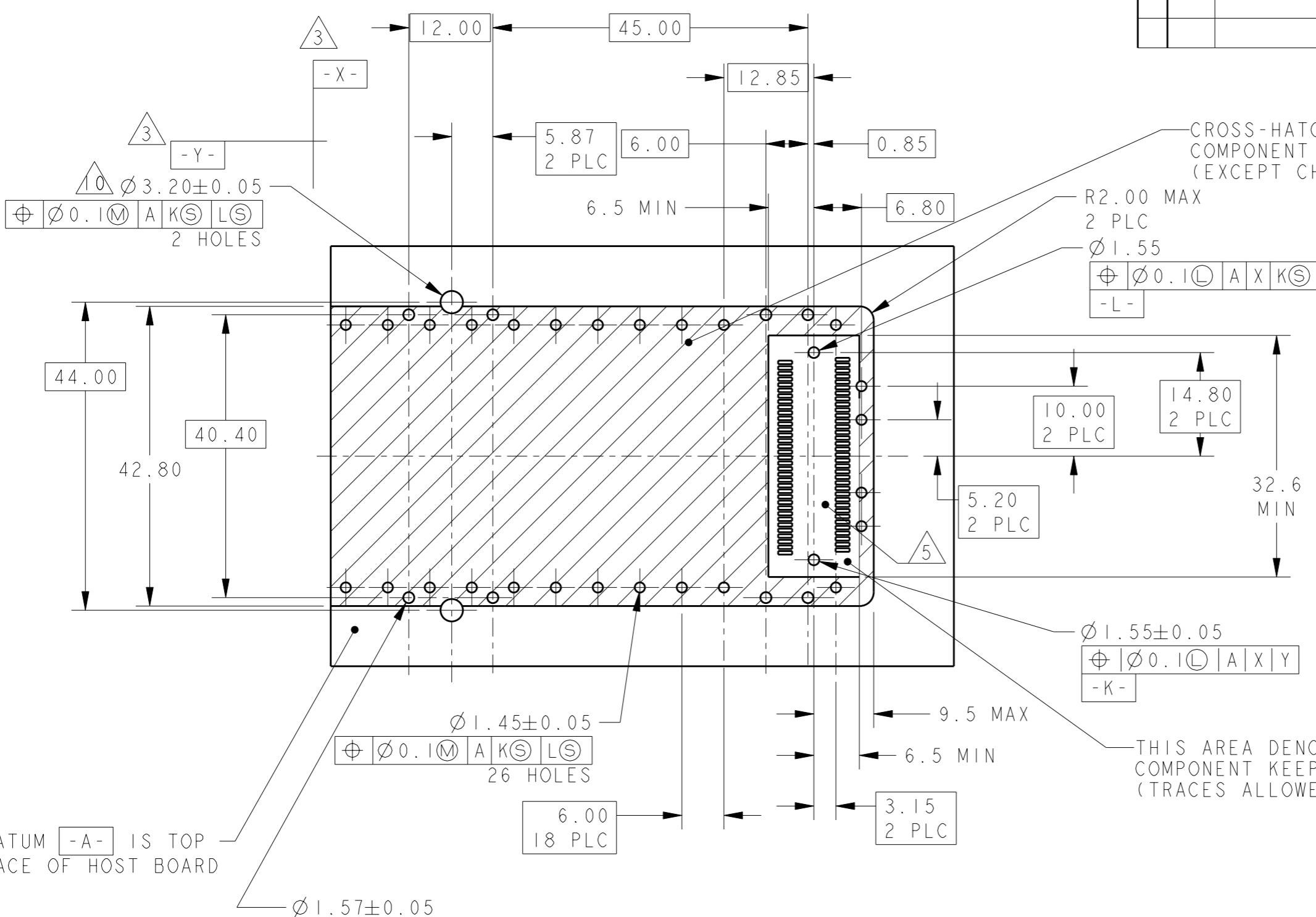


DATUM -A- IS TOP SURFACE OF HOST BOARD

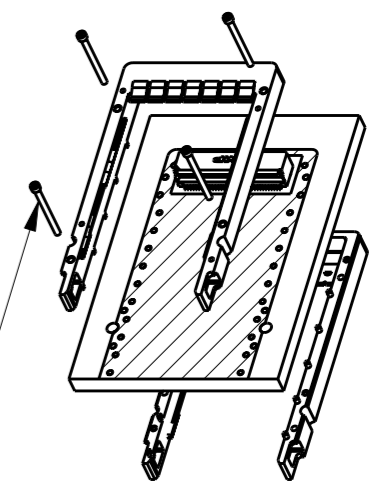
THIS DRAWING IS A CONTROLLED DOCUMENT FOR TYCO ELECTRONICS CORPORATION IT IS SUBJECT TO CHANGE AND THE CONTROLLING ENGINEERING ORGANIZATION SHOULD BE CONTACTED FOR THE LATEST REVISION.		DWN D.E. STAHL 16 JUN 2005	Tyco Electronics Harrisburg, PA 17105-3608		
DIMENSIONS: mm		CHK E. BRIGHT 16 JUN 2005			
TOLERANCES UNLESS OTHERWISE SPECIFIED:		APVD E. BRIGHT 16 JUN 2005	NAME X2 CAST METAL GUIDE FRAME, TYPE 2		
0 PLC $\pm .5$ 1 PLC $\pm .2$ 2 PLC $\pm .1$ 3 PLC $\pm .05$ 4 PLC $\pm .$ ANGLES $\pm .1$		PRODUCT SPEC -	RESTRICTED TO -		
MATERIAL -		APPLICATION SPEC -	SIZE A3	CAGE CODE 00779	DRAWING NO C-1367710
FINISH -		WEIGHT -	SCALE 3:2 SHEET 3 OF 4 REV A		
CUSTOMER DRAWING					

THIS DRAWING IS UNPUBLISHED. RELEASED FOR PUBLICATION 20
 © COPYRIGHT 20 BY TYCO ELECTRONICS CORPORATION. ALL RIGHTS RESERVED.

LOC	DIST	P	LTR	DESCRIPTION	DATE	DWN	APVD
-	-	-	-	SEE SHEET 1	-	-	-



X2 RECOMMENDED PCB LAYOUT FOR BELLY TO BELLY CONFIGURATION
 SCALE 2:1



DATUM -A- IS TOP SURFACE OF HOST BOARD

DIMENSIONS:		TOLERANCES UNLESS OTHERWISE SPECIFIED:	
mm			
		0 PLC	±.5
		1 PLC	±.2
		2 PLC	±.1
		3 PLC	±.05
		4 PLC	±.
		ANGLES	±.1
MATERIAL		FINISH	

DWN	D.E. STAHL	16 JUN 2005	 Tyco Electronics Harrisburg, PA 17105-3608
CHK	E. BRIGHT	16 JUN 2005	
APVD	E. BRIGHT	16 JUN 2005	
PRODUCT SPEC			NAME X2 CAST METAL GUIDE FRAME, TYPE 2
APPLICATION SPEC			
SIZE	A3	CAGE CODE	00779
DRAWING NO	C-1367710		RESTRICTED TO
CUSTOMER DRAWING			SCALE 3:2 SHEET 4 OF 4 REV A