



LAYOUT SHOWN AS EXAMPLE

Keying Shown as example

CHARACTERISTICS

- Standard : Based on MIL-DTL-38999 Series III
- Shell Material : Stainless Steel
- Shell Plating : Nickel
- Insulator : Thermoplastic
- Contacts : Copper Alloy
- Seals & Grommet : Silicon Elastomer
- Contact Plating : Gold over copper Alloy 0.8µm minimum
- Durability : 500 Mating cycles
- Delivered with Souriau contacts and Accessories
- Temperature Range : -65°C to +200°C
- Salt Spray : 500 hours

Connector dimension	
Dim	Nominal
A	49.2±0.3
B	33.32+0.1/-0.15
R	32.5Max
S	46±0.4
W	3+0.9/-0.1
VV THREAD	M28x1-6g

SOURIAU shall not be liable for any non-conformity or damage due to a use of the Products which does not comply with the Specifications issued by either of the Parties or by a third party (professional recommendation, technical notice.)

Country	Jurisdiction & Control List
FR	Not Listed

PN: 8D719S35PE

A	30-09-2016	First Release	
ISS	DATE	Latest modification - by	MOD N°
Designed By:		Date:	CUSTOMER DRAWING
TITLE	Stainless Steel Receptacle 8D series		
SCALE		General linear Tolerances: ±--	NPRDS / PROJECT 859
NA	SOURIAU WWW.SOURIAU.COM		This document is the property of SOURIAU it must not be reproduced or communicated without permission
FORMAT	A3		SOURIAU DRG N° 8D719S35PE-C SHEET 1/2

BASIC SERIES:	8D	7	-	19	S	35	P	E	ORIENTATION : E
SHELL TYPE :	Jam nut Receptacle								CONTACT TYPE : PIN(500 Matings)
CONTACT TYPE :	Standard Crimp Contact								CONTACT LAYOUT : 19-35
SHELL SIZE :	19								
PLATING :	S = Nickel								

Contact Layout



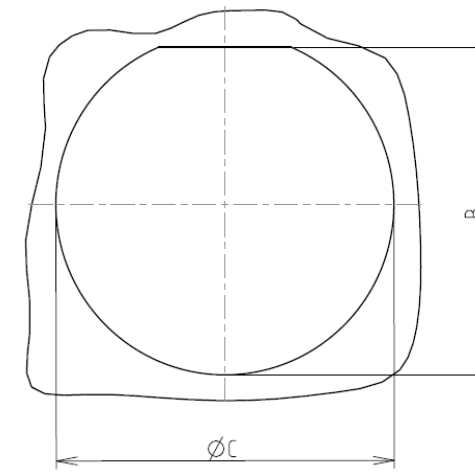
Contacts (Insert arrangement 19-35)					
Contact position ID	Location		Contact position ID	Location	
	X-axis (mm)	Y-axis (mm)		X-axis (mm)	Y-axis (mm)
1	-357 (9.07)	+090 (2.29)	34	+045 (1.14)	+360 (9.14)
2	-357 (9.07)	+000 (0.00)	35	+045 (1.14)	+270 (6.86)
3	-357 (9.07)	-090 (2.29)	36	+045 (1.14)	+180 (4.57)
4	-279 (7.09)	+225 (5.72)	37	+045 (1.14)	+090 (2.29)
5	-279 (7.09)	+135 (3.43)	38	+045 (1.14)	+000 (0.00)
6	-279 (7.09)	+045 (1.14)	39	+045 (1.14)	-090 (2.29)
7	-279 (7.09)	-045 (1.14)	40	+045 (1.14)	-180 (4.57)
8	-279 (7.09)	-135 (3.43)	41	+045 (1.14)	-270 (6.86)
9	-279 (7.09)	-225 (5.72)	42	+045 (1.14)	-360 (9.14)
10	-201 (5.11)	+270 (6.86)	43	+123 (3.12)	+315 (8.00)
11	-201 (5.11)	+180 (4.57)	44	+123 (3.12)	+225 (5.72)
12	-201 (5.11)	+090 (2.29)	45	+123 (3.12)	+135 (3.43)
13	-201 (5.11)	+000 (0.00)	46	+123 (3.12)	+045 (1.14)
14	-201 (5.11)	-090 (2.29)	47	+123 (3.12)	-045 (1.14)
15	-201 (5.11)	-180 (4.57)	48	+123 (3.12)	-135 (3.43)
16	-201 (5.11)	-270 (6.86)	49	+123 (3.12)	-225 (5.72)
17	-123 (3.12)	+315 (8.00)	50	+123 (3.12)	-315 (8.00)

Contacts (Insert arrangement 19-35)					
Contact position ID	Location		Contact position ID	Location	
	X-axis (mm)	Y-axis (mm)		X-axis (mm)	Y-axis (mm)
18	-123 (3.12)	+225 (5.72)	51	+201 (5.11)	+270 (6.86)
19	-123 (3.12)	+135 (3.43)	52	+201 (5.11)	+180 (4.57)
20	-123 (3.12)	+045 (1.14)	53	+201 (5.11)	+090 (2.29)
21	-123 (3.12)	-045 (1.14)	54	+201 (5.11)	+000 (0.00)
22	-123 (3.12)	-135 (3.43)	55	+201 (5.11)	-090 (2.29)
23	-123 (3.12)	-225 (5.72)	56	+201 (5.11)	-180 (4.57)
24	-123 (3.12)	-315 (8.00)	57	+201 (5.11)	-270 (6.86)
25	-045 (1.14)	+360 (9.14)	58	+279 (7.09)	+225 (5.72)
26	-045 (1.14)	+270 (6.86)	59	+279 (7.09)	+135 (3.43)
27	-045 (1.14)	+180 (4.57)	60	+279 (7.09)	+045 (1.14)
28	-045 (1.14)	+090 (2.29)	61	+279 (7.09)	-045 (1.14)
29	-045 (1.14)	+000 (0.00)	62	+279 (7.09)	-135 (3.43)
30	-045 (1.14)	-090 (2.29)	63	+279 (7.09)	-225 (5.72)
31	-045 (1.14)	-180 (4.57)	64	+357 (9.07)	+090 (2.29)
32	-045 (1.14)	-270 (6.86)	65	+357 (9.07)	+000 (0.00)
33	-045 (1.14)	-360 (9.14)	66	+357 (9.07)	-090 (2.29)

(Applicable to MIL-DTL-38999 only)						
Shell size	Arrangement no.	Number of contacts	Size contacts	Service rating	Contact location	Supersedes
19	-35	66	22D	M	All	MS27530-35

Panel cutout

JAM NUT RECEPTACLE (TYPE 7)



Dim	Nominal
B	33.91+0/-0.25
ØC	35.18+0.25/-0

SOURIAU shall not be liable for any non-conformity or damage due to a use of the Products which does not comply with the Specifications issued by either of the Parties or by a third party (professional recommendation, technical notice.)

Country	Jurisdiction & Control List
FR	Not Listed

PN: 8D719S35PE

A	30-09-2016	First Release	
ISS	DATE	Latest modification - by	MOD N°
Designed By:		Date:	CUSTOMER DRAWING
TITLE		Stainless Steel Receptacle 8D series	
SCALE		General linear Tolerances:	NPRDS / PROJECT
NA		±--	859
SOURIAU		WWW.SOURIAU.COM	
		This document is the property of SOURIAU it must not be reproduced or communicated without permission	
FORMAT	SOURIAU DRG N°		SHEET
A3	8D719S35PE-C		2/2