



LAYOUT SHOWN AS EXAMPLE

Keying Shown as example

**CHARACTERISTICS**

- Standard : Based on MIL-DTL-38999 Series III
- Shell Material : Stainless Steel
- Shell Plating : Nickel
- Insulator : Thermoplastic
- Contacts : Copper Alloy
- Seals & Grommet : Silicon Elastomer
- Contact Plating : Gold over copper Alloy 0.8µm minimum
- Durability : 500 Mating cycles
- Delivered with Souriau contacts and Accessories
- Temperature Range : -65°C to +200°C
- Salt Spray : 500 hours
- Mass : 66.9 g ± 10%

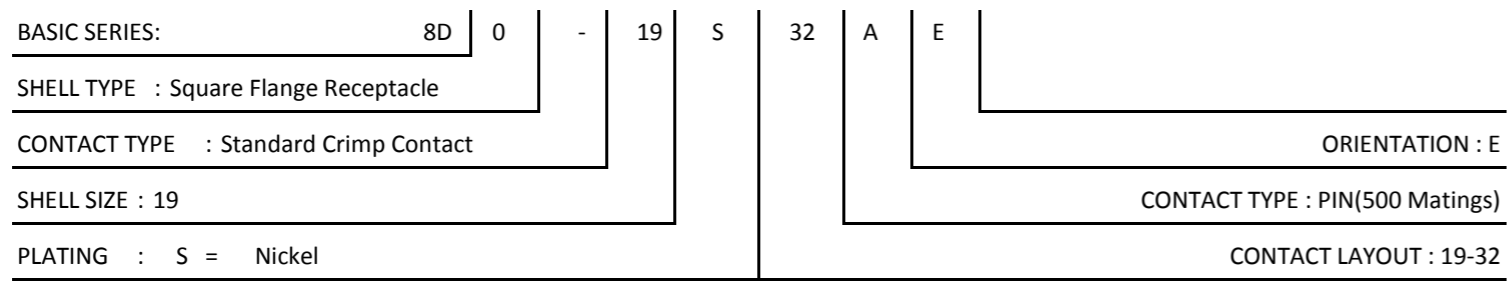
Connector dimension	
Dim	Nominal
P	3.25±0.2
PP	4.93±0.2
R1	29.36
R2	26.97
S	36.5±0.3
V	20.83+0/-1.25
W	2.1/2.5
Z	31.5 Max
VV THREAD	M28x1-6g

SOURIAU shall not be liable for any non-conformity or damage due to a use of the Products which does not comply with the Specifications issued by either of the Parties or by a third party (professional recommendation, technical notice.)

Country	Jurisdiction & Control List
FR	Not Listed

**PN: 8D019S32AE**

A	08-10-2016	First Release	
ISS	DATE	Latest modification - by	MOD N°
Designed By:		Date:	<b>CUSTOMER DRAWING</b>
<b>TITLE</b>	<b>Stainless Steel Receptacle 8D series</b>		
SCALE	NA	General linear Tolerances: ±--	NPRDS / PROJECT <b>859</b>
<b>SOURIAU</b>	<b>WWW.SOURIAU.COM</b>		This document is the property of SOURIAU it must not be reproduced or communicated without permission
FORMAT	<b>A3</b>		<b>SOURIAU DRG N° 8D019S32AE-C</b>
			SHEET 1/2



BASIC SERIES:

SHELL TYPE : Square Flange Receptacle

CONTACT TYPE : Standard Crimp Contact

SHELL SIZE : 19

PLATING : S = Nickel

ORIENTATION : E

CONTACT TYPE : PIN(500 Matings)

CONTACT LAYOUT : 19-32

Contact Layout

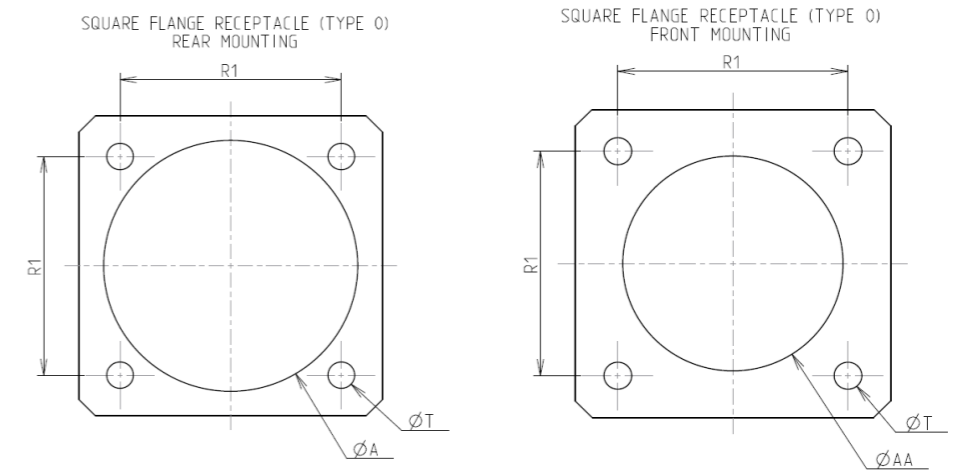


Contacts (Insert arrangement 19-32)						
Contact position ID	Contact location		Contact position ID	Contact location		Supersedes
	X-axis (mm)	Y-axis (mm)		X-axis (mm)	Y-axis (mm)	
A	+066 (1.68)	+353 (8.97)	T	-066 (1.68)	+353 (8.97)	
B	+189 (4.80)	+305 (7.75)	U	+000 (0.00)	+230 (5.84)	
C	+286 (7.26)	+217 (5.51)	V	+124 (3.15)	+193 (4.90)	
D	+345 (8.79)	+098 (2.49)	w	+209 (5.31)	-095 (2.41)	
E	+357 (9.07)	-033 (0.84)	X	+228 (5.79)	-033 (0.84)	
F	+321 (8.15)	-160 (4.06)	Y	+174 (4.42)	-151 (3.84)	
G	+242 (6.15)	-265 (6.73)	Z	+065 (1.65)	-221 (5.61)	
H	+130 (3.30)	-335 (8.51)	a	-065 (1.65)	-221 (5.61)	
J	-000 (0.00)	-359 (9.12)	b	-174 (4.42)	-151 (3.84)	
K	-130 (3.30)	-335 (8.51)	c	-228 (5.79)	-033 (0.84)	
L	-242 (6.15)	-265 (6.73)	d	-209 (5.31)	+095 (2.41)	
M	-321 (8.15)	-160 (4.06)	e	-124 (3.15)	+193 (4.90)	
N	-357 (9.07)	-033 (0.84)	f	+000 (0.00)	+096 (2.44)	
P	-345 (8.79)	+098 (2.49)	g	+096 (2.44)	+000 (0.00)	
R	-286 (7.26)	+217 (5.51)	h	+000 (0.00)	-096 (2.44)	
S	-189 (4.80)	+305 (7.75)	j	-096 (2.44)	+000 (0.00)	

Shell size	Arrangement no.	Number of contacts	Size contacts	Service rating	Contact location	Supersedes
19	-32	32	20	I	All	MS20054-32

Panel Cutout



Dim	Nominal
ØA	32.96 min
ØAA	28.98 min
R1	29.36
ØT	3.25 ±0.13

SOURIAU shall not be liable for any non-conformity or damage due to a use of the Products which does not comply with the Specifications issued by either of the Parties or by a third party (professional recommendation, technical notice.)

Country	Jurisdiction & Control List
FR	Not Listed

**PN: 8D019S32AE**

A	08-10-2016	First Release	
ISS	DATE	Latest modification - by	MOD N°
Designed By:		Date:	<b>CUSTOMER DRAWING</b>
<b>TITLE</b>	<b>Stainless Steel Receptacle 8D series</b>		
SCALE		General linear Tolerances:	NPRDS / PROJECT
NA		±--	<b>859</b>
<b>SOURIAU</b>	<b>WWW.SOURIAU.COM</b>		This document is the property of SOURIAU it must not be reproduced or communicated without permission
FORMAT	<b>SOURIAU DRG N° 8D019S32AE-C</b>		SHEET 2/2