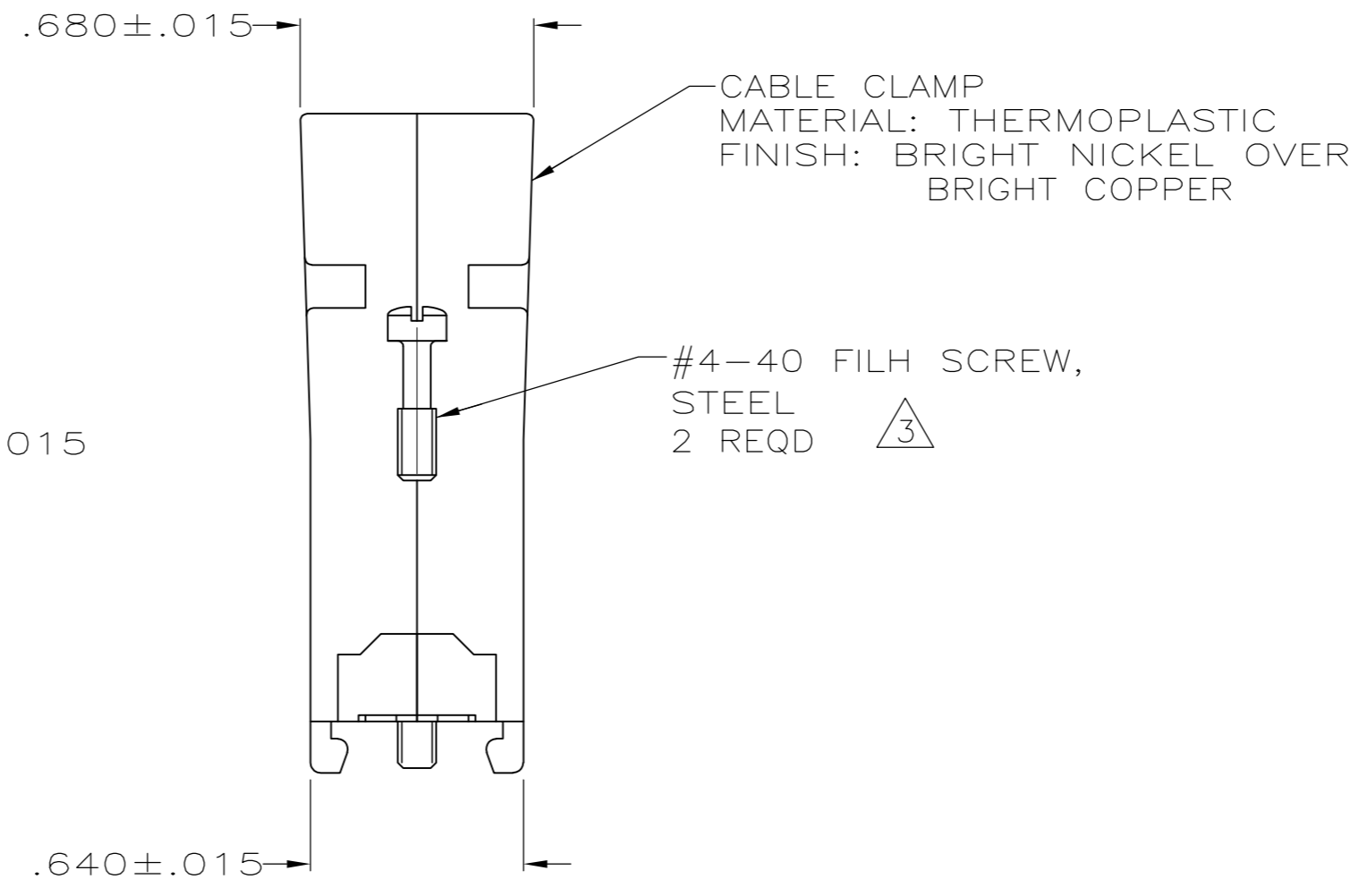
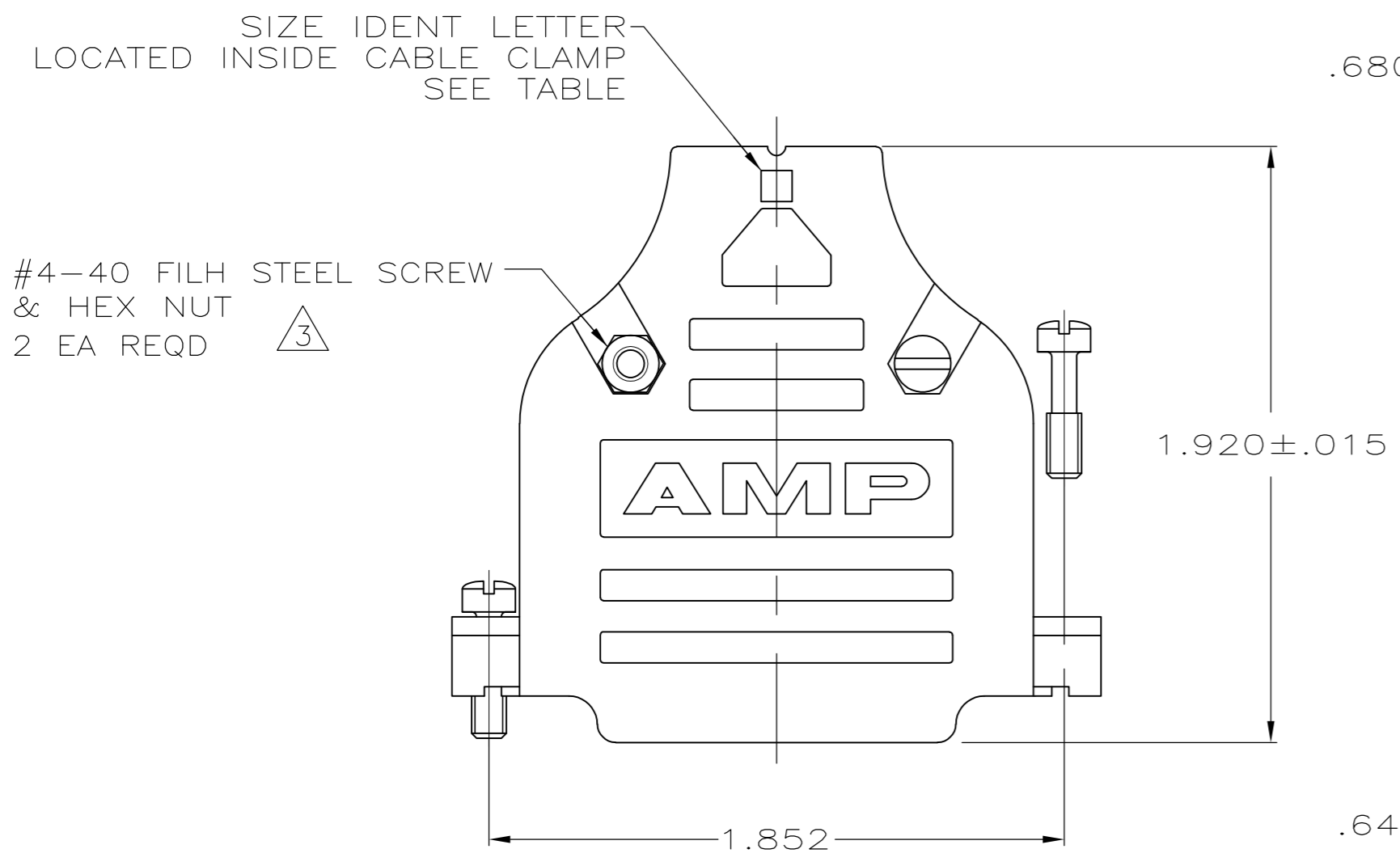
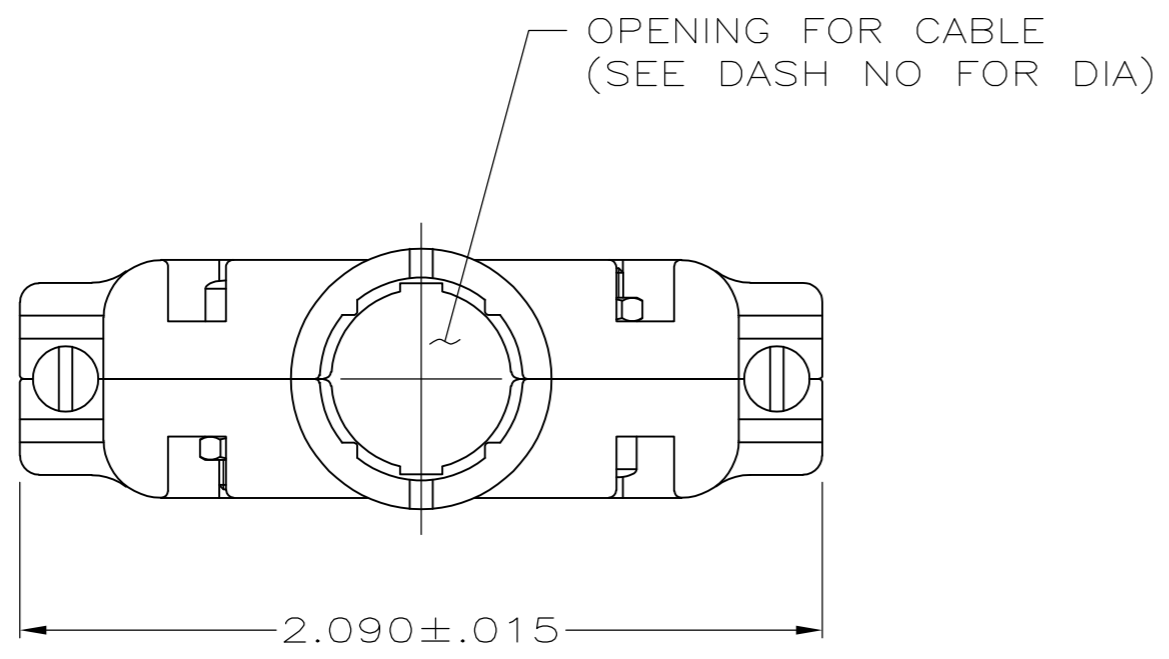


THIS DRAWING IS UNPUBLISHED. RELEASED FOR PUBLICATION
 © COPYRIGHT - By - ALL RIGHTS RESERVED.

LOC	DIST	REVISIONS			
P	LTR	DESCRIPTION	DATE	DWN	APVD
GP	00	A1	REVISED PER ECO-11-004835	11MAR11	RK HMR



1. ALL PARTS PACKAGED UNASSEMBLED.
 2. THIS KIT CONSISTS OF 2 STRAIN RELIEF HALVES, 2 #4-40 SCREWS, 2 #4-40 NUTS & 2 #4-40 MOUNTING SCREWS.
- ZINC PLATED .000200-.000400 THICK, CLEAR CHROMATE COATING.

	D	.280	5745833-9
	G	.350	5745833-7
	K	.430	5745833-5
OBSOLETE	M	.480	5745833-3
	P	.530	5745833-1
	SIZE IDENT LETTER	CABLE DIA	PART NO.

**COPYRIGHT 2005
 TE CONNECTIVITY CORP
 ALL RIGHTS RESERVED**

THIS DRAWING IS A CONTROLLED DOCUMENT.		DWN	D. HENNY	8-13-05	TE Connectivity
DIMENSIONS: INCHES		CHK	C. ROHDE	8-13-05	
		APVD	M. WALMSLEY	8-13-05	
TOLERANCES UNLESS OTHERWISE SPECIFIED:		PRODUCT SPEC		NAME	
0 PLC ± - 1 PLC ± - 2 PLC ± - 3 PLC ± .005 4 PLC ± - ANGLES ± -		APPLICATION SPEC		CABLE CLAMP KIT, SIZE 3, 25 POSN, 180 DEG, AMPLIMITE SERIES, PLATED PLASTIC	
MATERIAL SEE CALLOUTS		FINISH SEE CALLOUTS		WEIGHT	SIZE
					CAGE CODE
					DRAWING NO
					RESTRICTED TO
					SCALE
					SHEET
					REV