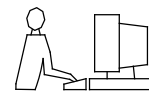


TOLERANCE UNLESS OTHERWISE SPECIFIED	
.X	±0.25
.XX	±0.15
.XXX	±0.10

THIS IS A C.A.D. GENERATED DRAWING  
DO NOT MAKE MANUAL REVISIONS TO MASTER.



ISSUE NUMBER	1
ORIGINAL	

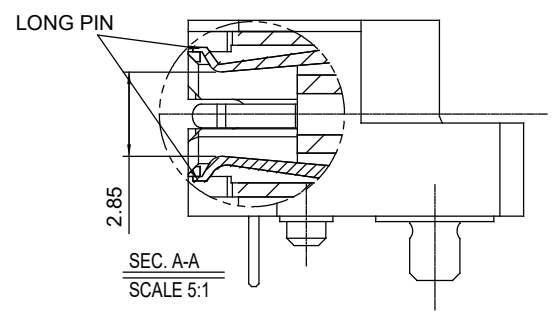
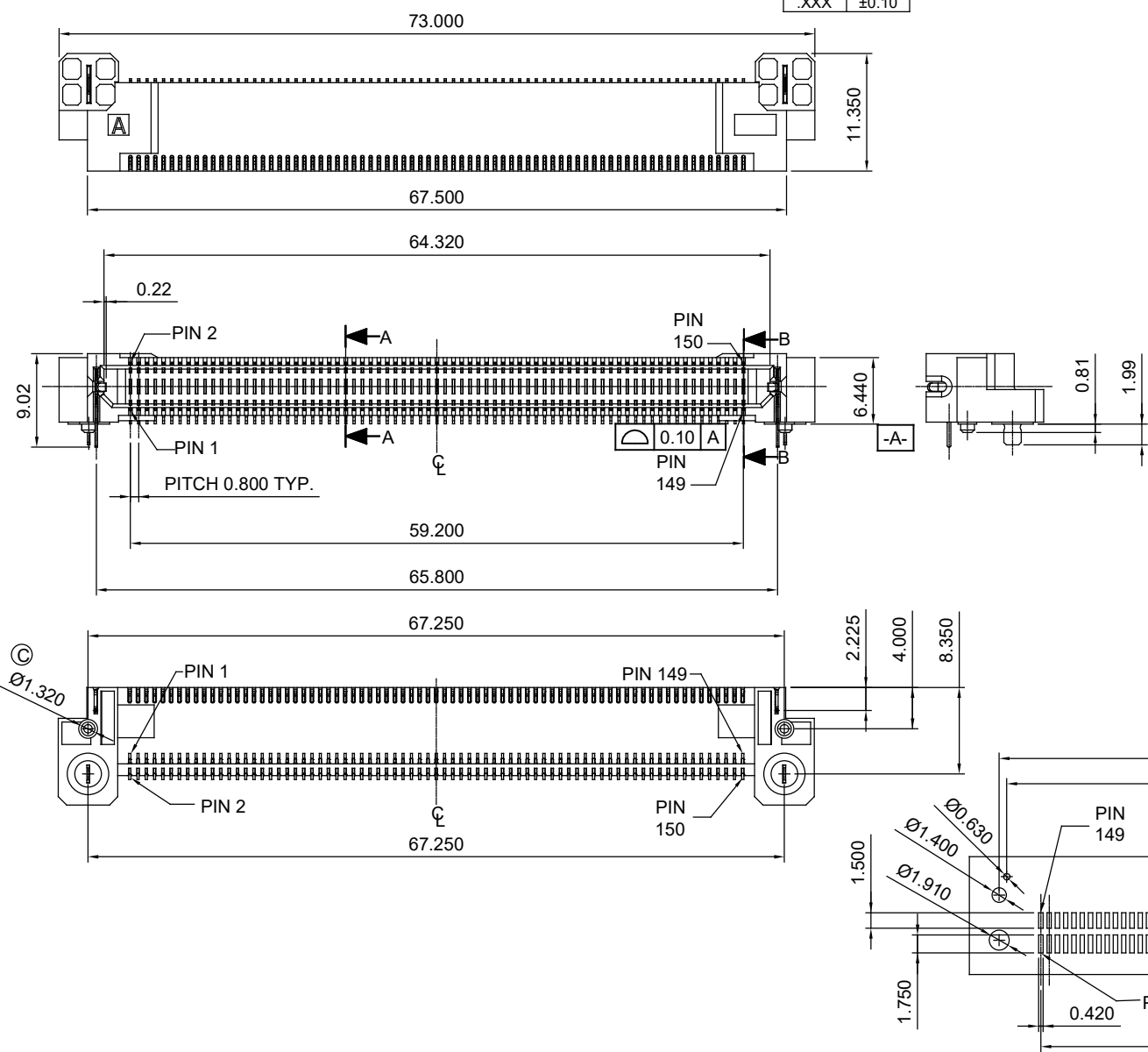
NOTES:

MATERIAL:  
HOUSING: L.C.P SERIES, UL-94V-0  
CONTACT: COPPER ALLOY  
10μ" GOLD PLATING ON CONTACT AREA  
MATTE TIN PLATING ON SOLDER TAIL OVER  
NICKEL UNDER PLATING

OPERATION TEMPERATURE: -55°C TO 85°C

ELECTRICAL:  
CURRENT RATING: 0.5A  
VOLTAGE RATING: 50V AC  
INSULATION RESISTANCE: 500MΩ MIN.  
CONTACT RESISTANCE: 50MΩ MAX.  
DIELECTRIC WITHSTANDING VOLTAGE: 150V AC / 60 SEC.

MARKED : CRITICAL DIMENSION  
MARKED DIMENSIONS NEED TO BE MEASURED IN CPK



**BOARD TO BOARD, 150 CONTACTS, RIGHT ANGLE,  
ALL LONG PINS, FEMALE**

ACAD REFERENCE NO.: 473-150-571-002	
DRAWN: W.T	DATE: JUNE.28 /2018
CHECKED:	DATE:
SCALE: N.T.S	SHEET 1 OF 2
DRAWING NUMBER: 473-150-571-002	ISSUE
PART NUMBER: 473-150-571-002	1



THIS SERIES FULLY CONFORMS TO  
THE EUROPEAN UNION DIRECTIVES  
2011/65/EU FOR RoHS COMPLIANCY.



EDAC INC  
TORONTO, ONTARIO  
CANADA  
YOUR CONNECTION TO QUALITY & SERVICE



THESE DRAWINGS AND SPECIFICATIONS  
ARE THE PROPERTY OF EDAC INC., AND  
SHALL NOT BE REPRODUCED, OR COPIED  
OR USED AS THE BASIS FOR THE  
MANUFACTURE OR SALE OF APPARATUS  
WITHOUT WRITTEN PERMISSION.

NOTES:

MATERIAL: L.C.P SERIES, UL-94V-0  
 HOUSING: COPPER ALLOY  
 CONTACT: 10µ" GOLD PLATING ON CONTACT AREA  
 MATTE TIN PLATING ON SOLDER TAIL OVER  
 NICKEL UNDER PLATING

OPERATION TEMPERATURE: -55°C TO 85°C

ELECTRICAL:  
 CURRENT RATING: 0.5A  
 VOLTAGE RATING: 50V AC  
 INSULATION RESISTANCE: 500MΩ MIN.  
 CONTACT RESISTANCE: 50MΩ MAX.  
 DIELECTRIC WITHSTANDING VOLTAGE: 150V AC / 60 SEC.

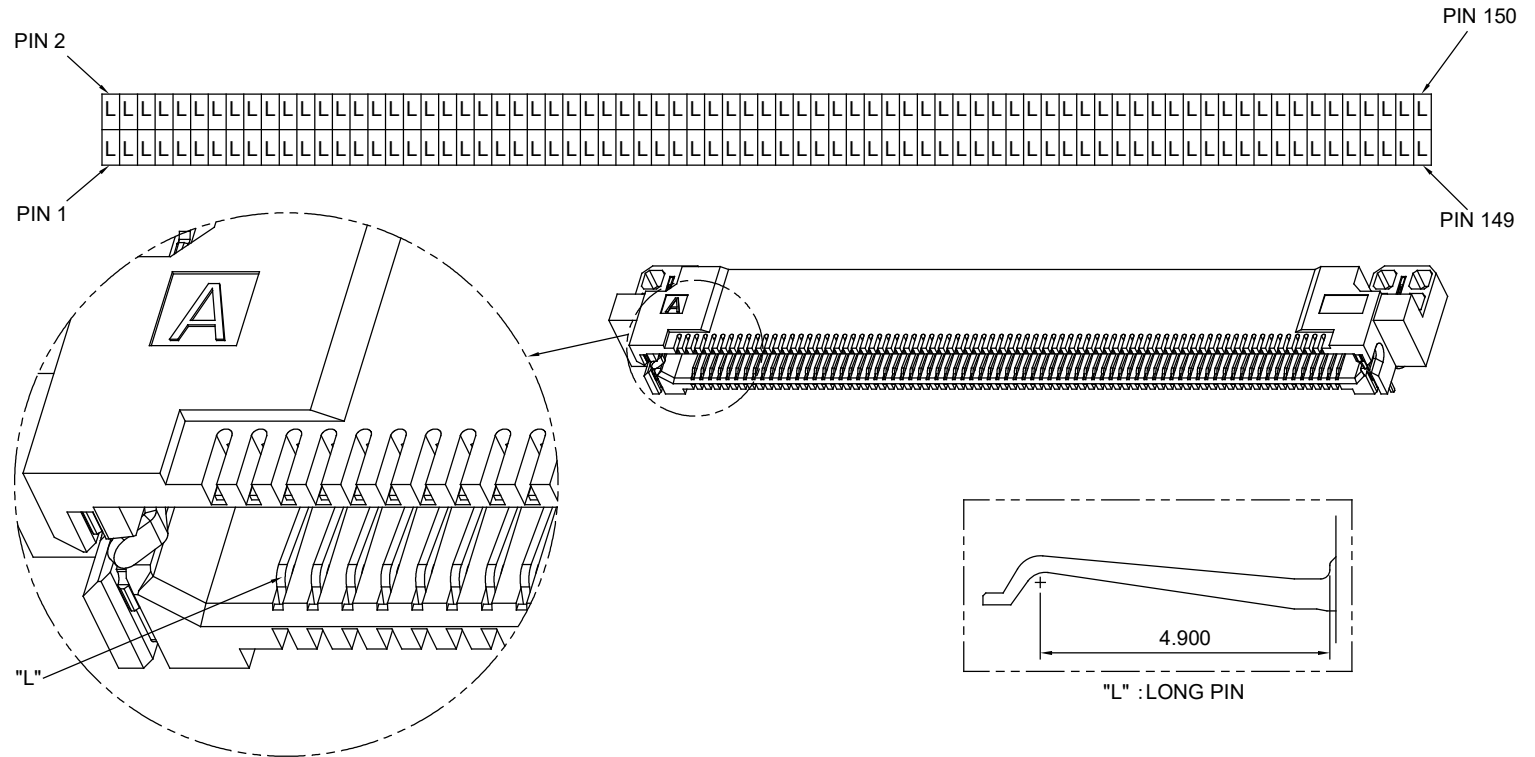
MARKED  : CRITICAL DIMENSION  
 MARKED  DIMENSIONS NEED TO BE MEASURED IN CPK

TOLERANCE UNLESS OTHERWISE SPECIFIED	
.X	±0.15
.XX	±0.10
.XXX	±0.05

THIS IS A C.A.D. GENERATED DRAWING  
 DO NOT MAKE MANUAL REVISIONS TO MASTER.



ISSUE NUMBER  
 ORIGINAL 1



**BOARD TO BOARD, 150 CONTATS, RIGHT ANGLE,  
 ALL LONG PINS, FEMALE**

ACAD REFERENCE NO.: 473-150-571-002	
DRAWN: W.T	DATE: JUNE.28 /2018
CHECKED:	DATE:
SCALE: N.T.S	SHEET 2 OF 2
DRAWING NUMBER: 473-150-571-002	ISSUE
PART NUMBER: 473-150-571-002	1



THIS SERIES FULLY CONFORMS TO  
 THE EUROPEAN UNION DIRECTIVES  
 2011/65/EU FOR RoHS COMPLIANCY.



EDAC INC  
 TORONTO, ONTARIO  
 CANADA  
 YOUR CONNECTION TO QUALITY & SERVICE

THESE DRAWINGS AND SPECIFICATIONS  
 ARE THE PROPERTY OF EDAC INC., AND  
 SHALL NOT BE REPRODUCED, OR COPIED  
 OR USED AS THE BASIS FOR THE  
 MANUFACTURE OR SALE OF APPARATUS  
 WITHOUT WRITTEN PERMISSION.