

4

3

2

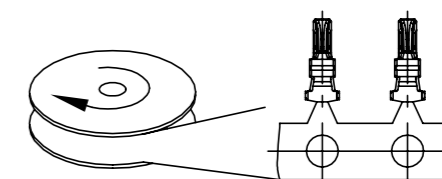
1

© - TE Connectivity. All Rights Reserved.

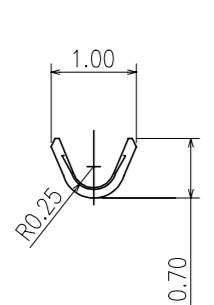
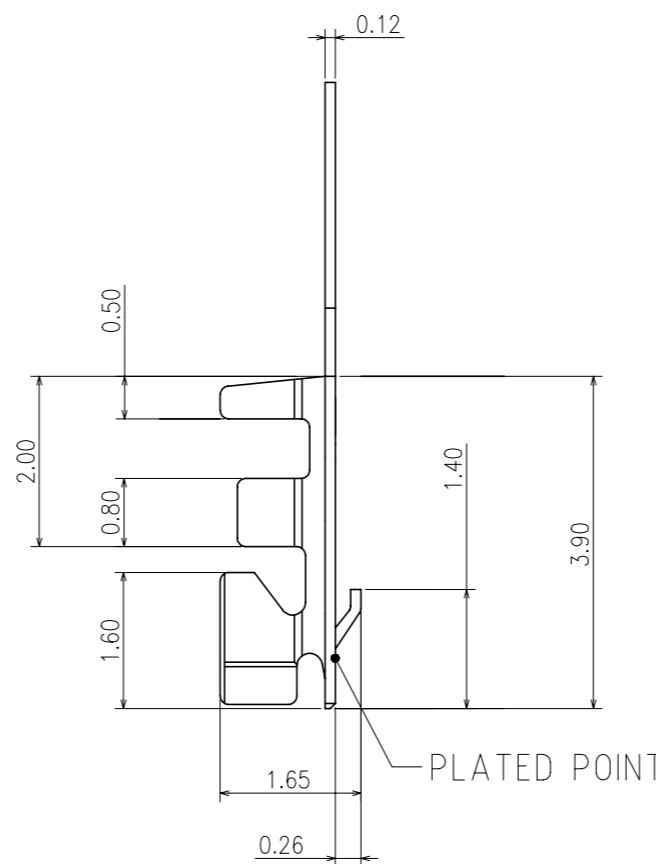
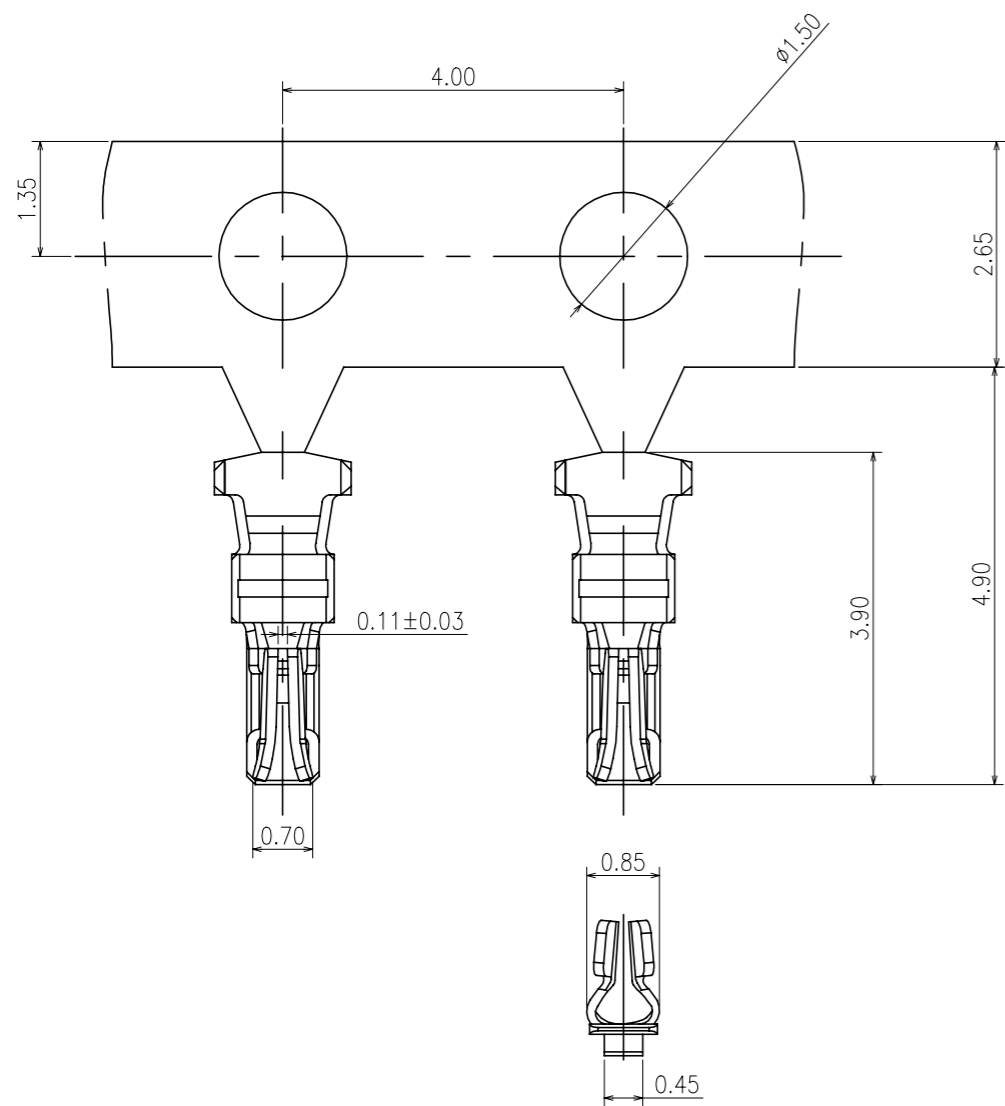
REVISIONS

P	LTR	DESCRIPTION	DATE	DWN	APVD
	A	REVISED	19AUG2020	J.J	W.H

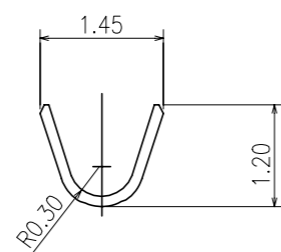
- NOTES:  
 1. MATERIAL:PHOSPHOR BRONZE ,THICKNESS 0.12±0.02  
 2. PLATING  
 TYPE A: 50u"MIN NICKEL UNDER PLATING  
 100u" MIN PURE TIN (LEAD FREE) OVER ALL.  
 TYPE B: 50u"MIN NICKEL UNDER PLATING  
 GOLD FLASH ON CONTACT AREA.  
 3. Q'TY: 15K pcs/roll..



ROLL DIRECTION



WIRE BARREL



INSULATION BARREL

2367199-2	2367199-1
TYPE B	TYPE A
PLATING SPEC	
P/N	

THIS DRAWING IS A CONTROLLED DOCUMENT.		DWN Tommy Qian 18DEC2019	<b>TE</b> TE Connectivity	
DIMENSIONS: mm		CHK Wenke He		
TOLERANCES UNLESS OTHERWISE SPECIFIED:		APVD Wenke He	NAME	
0 PLC ± 0.5		PRODUCT SPEC	1.0P WT B CABLE CONTACT WITH LATCH	
1 PLC ± 0.35		APPLICATION SPEC	-	
2 PLC ± 0.25		108-115169	SIZE	CAGE CODE
3 PLC ± 0.15		114-115031	A3	00779
4 PLC ± -		WEIGHT	DRAWING NO C=2367199	
ANGLES ± -		CUSTOMER DRAWING	SCALE	SHEET
FINISH -			N/A	1 of 2
MATERIAL SEE NOTE				REV A

4

3

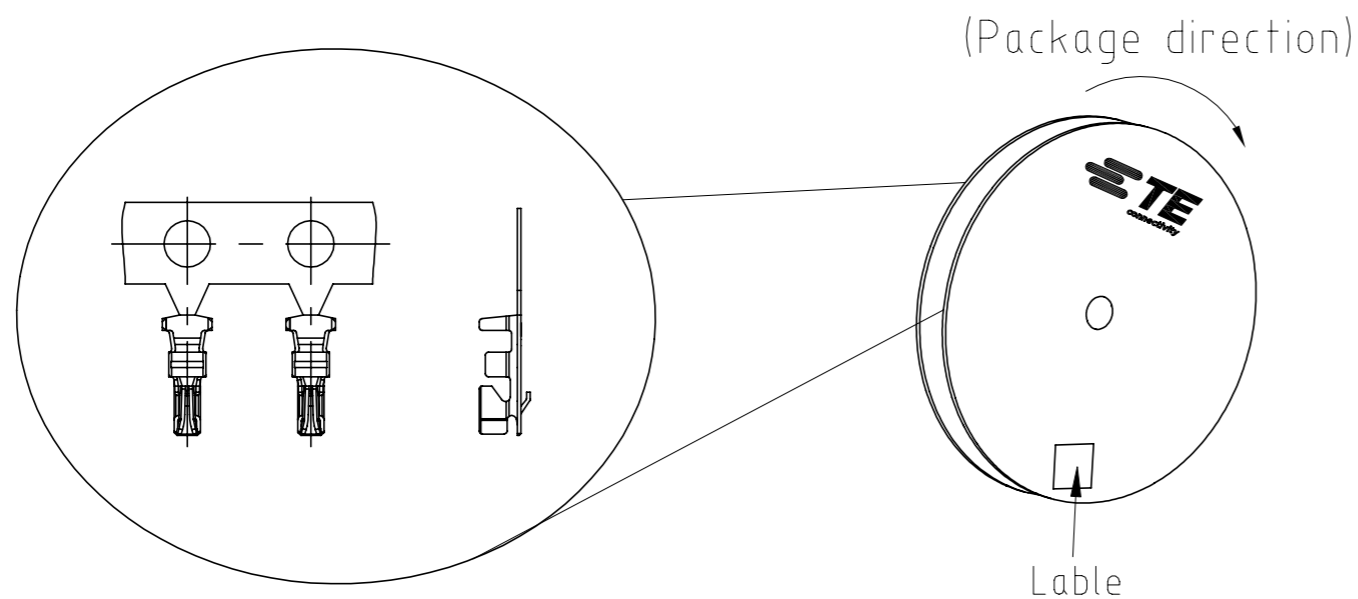
2

1

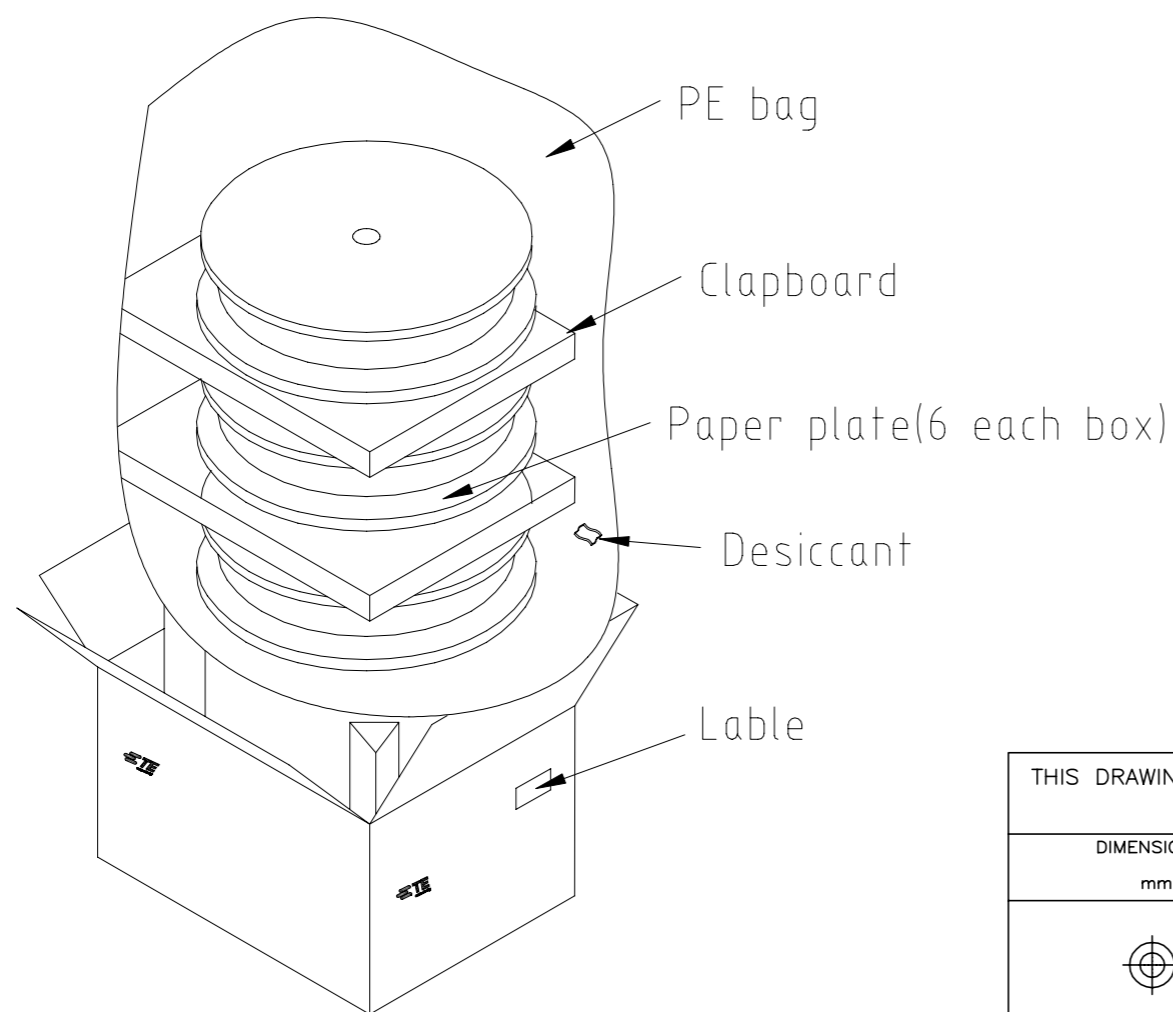
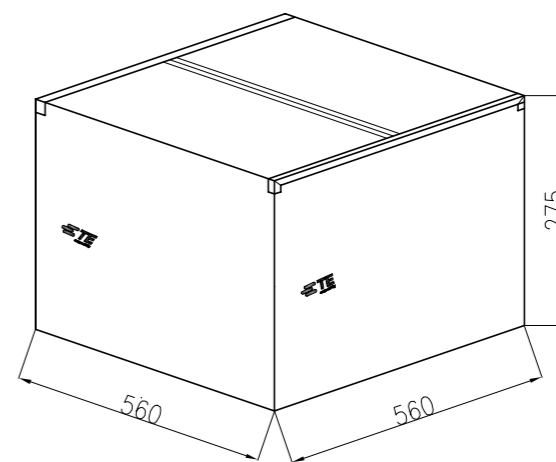
© - TE Connectivity. All Rights Reserved.

REVISIONS

P	LTR	DESCRIPTION	DATE	DWN	APVD
-	-	SEE SHEET 1	-	-	-



Notes:  
Package for 2367199-x



P/N	Quantity/Plate (PCS)	Paper plate	Quantity/Box (PCS)
2367199-x	15K	550x30x25mm	90K

THIS DRAWING IS A CONTROLLED DOCUMENT.		DWN Tommy Qian 18DEC2019	TE Connectivity			
DIMENSIONS: mm		CHK Wenke He				NAME
TOLERANCES UNLESS OTHERWISE SPECIFIED:		APVD Wenke He	PRODUCT SPEC			
<del>           0 PLC ± 0.5            1 PLC ± 0.35            2 PLC ± 0.25            3 PLC ± 0.15            4 PLC ±            ANGLES ±         </del>		APPLICATION SPEC	108-115169			
MATERIAL SEE NOTE		WEIGHT	SIZE	CAGE CODE	DRAWING NO	RESTRICTED TO
			A3	00779	C=2367199	-
CUSTOMER DRAWING			SCALE	SHEET	REV	
			N/A	2 of 2	A	